



Agricultural Bearings

BLEACHED

Tough



Bringing Motion
To Your World



CONTENTS

Round Bore Series

Cylindrical O.D.

Non-Relubricatable type 01

Relubricatable type 01

Spherical O.D.

Non-Relubricatable type 02

Relubricatable type 03

Square Bore Series

Cylindrical O.D.

Non-Relubricatable type 04

Relubricatable type 04

Spherical O.D.

Non-Relubricatable type 05

Relubricatable type 06

Hex Bore Series

Non-Relubricatable type 07

Relubricatable type 08

Light 200 Series

R-Seal type 09

CS 200 DDU Series 09

Special Size 10

Pressed Steel Housing 15

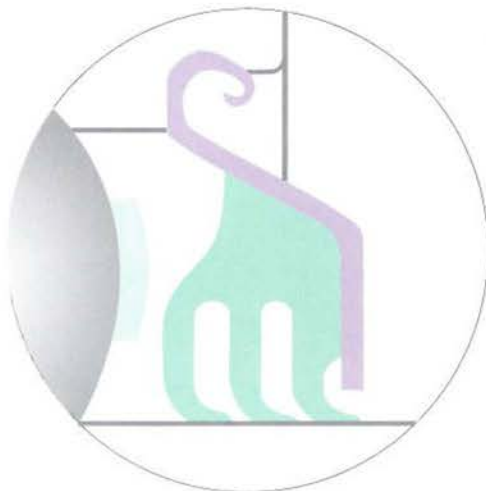
Interchange 18

Triple-lip seal

Features

Better dustproofing and waterproofing ensure a longer bearing life.

Tri-Ply Seal ball bearings are designed for environments where severe contamination is present, especially in agricultural equipment. Tri-Ply seals are a one-piece design that incorporates three seals molded to a shroud cap. This combination provides excellent protection against contaminants and prevents the loss of lubricating grease. This special seal ensures a longer service life.



Sealing device

The rubber seal extends to the outer circumference the shielded plate for better sealing performance, and prevents contamination of the bearing by dust or foul water.

Sealed plate

Galvanized steel plate construction ensures improved corrosion resistance. Optimal design contributes to enhanced pressure resistance.

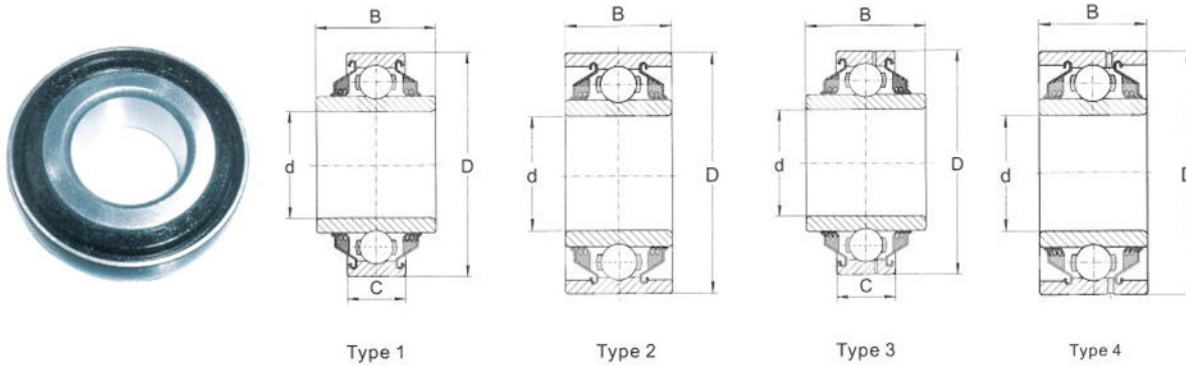
Triple-lip

Provides excellent dustproofing and waterproofing, thus protecting against contamination by dust or foul water.

Disc Harrow Ball Bearings

Round bore

Cylindrical O.D.



Non-Relubricatable type

KML No.	Type	Bore d		Outside Diameter D		Ring Width B C		Static load ratings Cor	Dynamic load ratings Cr	Mass lbs/kg
			Tolerance +0.000" +0.000mm to minus		Tolerance +0.000" +0.000mm to minus	+0.000", -0.005" +0.00, -.12mm				
		In/mm	In/mm	In/mm	In/mm	In/mm	In/mm			
W208PP10	1	1.5005	0.0005	3.1496	0.0005	1.6913	0.8268	4500	8300	1.50
		38.113	0.013	80	0.013	42.96	21.00	19900	36800	0.680
W210PP8	2	1.5300	0.0100	3.5433	0.0006	1.1880	1.1880	5200	9000	1.97
		38.860	0.250	90	0.015	30.18	30.18	23000	39900	0.894
W210PP2	2	1.9380	0.0005	3.5433	0.0006	1.189	1.189	5200	9000	1.69
		49.225	0.013	90	0.015	30.20	30.20	23000	39900	0.767
W211PP2	2	2.1880	0.0006	3.9370	0.0006	1.3126	1.3126	6550	11000	2.33
		55.575	0.015	100	0.015	33.34	33.34	29000	48800	1.056
W214PP2	2	2.7559	0.0006	4.9213	0.0008	1.562	1.562	9800	16000	4.19
		70.000	0.015	125	0.020	39.69	39.69	43500	71000	1.901
W315PP2	2	3.0056	0.0006	6.2992	0.0010	2.688	2.688	16000	28500	13.13
		76.342	0.015	160	0.025	68.26	68.26	71000	125000	5.956

Relubricatable type

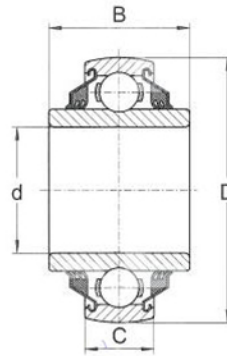
KML No.	Type	Bore d		Outside Diameter D		Ring Width B C		Static load ratings Cor	Dynamic load ratings Cr	Mass lbs/kg
			tolerance +0.000" +0.000mm to minus		tolerance +0.000" +0.000mm to minus	+0.000", -0.005" +0.00, -.12mm				
		In/mm	In/mm	In/mm	In/mm	In/mm	In/mm			
GW210PP3	4	1.4065	0.0005	3.5433	0.0006	1.188	1.188	5200	9000	2.25
		37.53	0.013	90	0.015	30.18	30.18	23000	39900	1.021
GW211PP2	4	2.1880	0.0006	3.9370	0.0006	1.312	1.312	6550	11000	3
		55.58	0.015	100	0.015	33.346	33.346	29000	48800	1.361
GW214PP2	4	2.7559	0.0006	4.9213	0.0008	1.562	1.562	9800	16000	4.19
		70.00	0.015	125	0.020	39.69	39.69	43500	71000	1.901
GW216PP5	3	2.5150	0.0100	5.5118	0.0008	2.500	1.181	10200	18000	
		63.83	0.250	140	0.020	63.50	30.00	45000	80000	



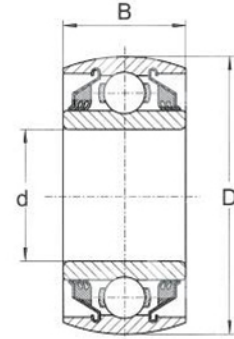
Disc Harrow Ball Bearings

Round bore

Spherical O.D.



Type 1



Type 2

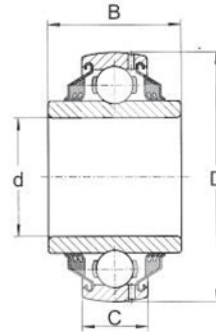
Non-Relubricatable type

KML No.	Type	Bore D		Outside Diameter D		Ring Width B C		Static load ratings Cor	Dynamic load ratings Cr	Mass lbs/kg
			tolerance +0.000" +0.000mm to minus		tolerance +0.000" +0.000mm to minus	+0.000", -0.005" +0.00, -.12mm				
		In/mm	In/mm	In/mm	In/mm	In/mm	In/mm			
W208PPB7	1	1.188	0.0005	3.150	0.0005	1.188	0.709	4500	8300	1.41
		30.17	0.013	80	0.013	30.18	18	19900	36800	0.640
W208PPB2	1	1.5005	0.0005	3.150	0.0005	1.688	0.709	4500	8300	1.59
		38.113	0.013	80	0.013	42.96	18	19900	36800	0.721
W208PPB23	1	1.5005	0.0005	3.150	0.0005	1.688	1.188	3550	7200	1.5
		38.113	0.013	80	0.013	42.96	30.18	15600	32000	0.68
W209PPB2	2	1.7717	0.0005	3.346	0.0006	1.188	1.188	4550	8300	1.44
		45	0.013	85	0.015	30.18	30.18	20200	36800	0.653
W209PPB4	2	1.5350	0.0100	3.346	0.0006	1.188	1.188	4550	8300	1.65
		39	0.250	85	0.015	30.18	30.18	20200	36800	0.748
W210PPB2	2	1.9380	0.0005	3.543	0.0006	1.188	1.188	5200	9000	1.56
		49.225	0.013	90	0.015	30.18	30.18	23000	39900	0.708
W210PPB5	2	1.7850	0.0100	3.543	0.0006	1.188	1.188	5200	9000	1.75
		45.34	0.250	90	0.015	30.18	30.18	23000	39900	0.794
W211PPB2	2	2.1880	0.0006	3.937	0.0006	1.312	1.312	6550	11000	3.63
		55.58	0.015	100	0.015	33.34	33.34	29000	48800	0.966
W214PPB2	2	2.7559	0.0006	4.921	0.0008	1.562	1.562	9800	16000	3.96
		70	0.015	125	0.020	39.69	39.69	43500	71000	1.796
W214PPB9	1	2.7660	0.0010	4.921	0.0008	1.750	1.102	9800	16000	3.96
		70.26	0.025	125	0.020	44.45	28	43500	71000	1.796

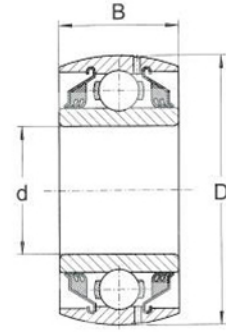
Disc Harrow Ball Bearings

Round bore

Spherical O.D.



Type 1



Type 2

Relubricatable type

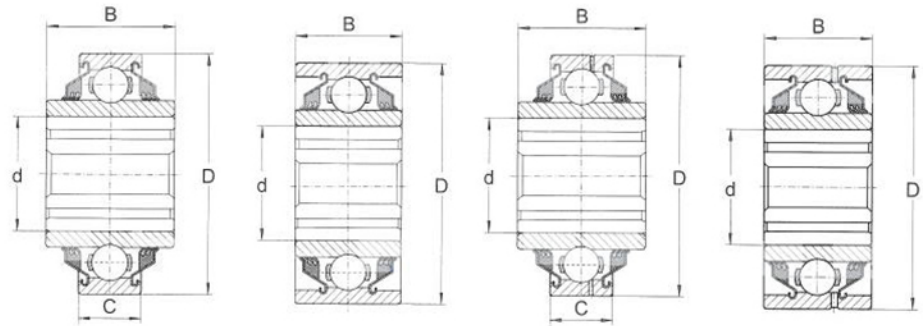
KML No.	Type	Bore d		Outside Diameter D		Ring Width B C		Static load ratings Cor	Dynamic load ratings Cr	Mass lbs/kg
			tolerance +0.000" +0.000mm to minus		tolerance +0.000" +0.000mm to minus	+0.000", -0.005" +0.00, -.12mm				
		ln/mm	ln/mm	ln/mm	ln/mm	ln/mm	ln/mm			
GW209PPB2	2	1.7717	0.005	3.3465	0.0006	1.188	1.188	4550	8300	1.44
		45.00	0.013	85.00	0.015	30.18	30.18	20200	36800	0.653
GW209PPB11	1	1.7810	0.0100	3.3465	0.0006	1.438	0.866	4550	8300	1.37
		45.24	0.250	85	0.015	36.530	22.00	20200	36800	0.614
GW209PPB4	2	1.5350	0.0100	3.3465	0.0006	1.188	1.188	4550	8300	1.65
		39.00	0.250	85	0.015	30.18	30.18	20200	36800	0.681
GW210PP9	1	1.9450	0.0007	3.5433	0.0006	1.438	0.906	5200	9000	1.75
		49.40	0.180	90	0.015	36.53	23.00	23000	39900	0.794
GW210PPB2	2	1.9380	0.0005	3.5433	0.0006	1.188	1.188	5200	9000	1.5
		49.23	0.013	90	0.015	30.18	30.18	23000	39900	0.680
GW210PPB5	2	1.7850	0.0100	3.5433	0.0006	1.188	1.188	5200	9000	1.75
		45.34	0.250	90	0.015	30.18	30.18	23000	39900	0.794
GW211PPB10	2	1.9380	0.0006	3.9370	0.0006	1.312	1.312	6550	11000	2.26
		49.23	0.015	100	0.015	33.34	33.34	29000	48800	1.025
GW211PPB13	1	1.7850	0.0100	3.9370	0.0006	1.312	0.984	6550	11000	2.02
		45.34	0.250	100	0.015	33.34	25.00	29000	48800	0.916
GW211PPB14	1	2.0150	0.0100	3.9370	0.0006	1.312	0.984	6550	11000	2
		51.18	0.250	100	0.015	33.34	25.00	29000	48800	0.907
GW211PPB2	2	2.1880	0.0006	3.9370	0.0006	1.312	1.312	6550	11000	2.62
		55.58	0.015	100	0.015	33.34	33.34	29000	48800	1.188
GW211PPB8	1	2.1880	0.0006	3.9370	0.0006	1.312	0.984	6550	11000	1.85
		55.58	0.015	100	0.015	33.34	25	29000	48800	0.839
GW211PPB9	1	2.1950	0.0070	3.9370	0.0006	1.562	0.984	6550	11000	2.02
		55.75	0.180	100	0.015	39.69	25.00	29000	48800	0.916
GW214PPB6	2	2.6881	0.0006	4.9213	0.0008	2.688	1.102	9800	16000	4.75
		68.28	0.015	125	0.020	68.26	28.00	43500	71000	2.155
GW214PPB2	2	2.7559	0.0006	4.9213	0.0008	1.562	1.562	9800	16000	3.96
		70.00	0.015	125	0.020	39.69	39.69	43500	71000	1.796
GW214PPB5	1	2.7559	0.0006	4.9213	0.0008	2.438	1.562	9800	16000	4.75
		70.00	0.015	125	0.020	61.90	39.69	43500	71000	2.155
GW216PPB3	1	3.0100	0.0100	5.5118	0.0008	2.500	1.181	10200	18000	
		76.45	0.250	140	0.020	63.500	30.00	45000	80000	



Disc Harrow Ball Bearings

Square bore

Cylindrical O.D.



Type 1

Type 2

Type 3

Type 4

Non-Relubricatable type

KMLNo.	Type	Shaft size	Outside Diameter D			Ring Width B C		Static load ratings Cor	Dynamic load ratings Cr	Mass lbs/kg
			tolerance +0.000" +0.000mm to minus			+0.000", -0.005" +0.00, -.12mm				
			In/mm	In/mm	In/mm	In/mm	In/mm			
W208PP6	1	1	3.1496	0.0005	1.438	0.709	4500	8300	1.62	
		25.4	80	0.013	36.51	18	19900	36800	0.73	
W208PP5	1	1 1/8	3.1496	0.0005	1.438	0.709	4500	8300	1.5	
		28.6	80	0.013	36.51	18	19900	36800	0.68	
W208PP20	1	1 1/8	3.1496	0.0005	1.438	0.709	4500	8300	1.5	
		28.6	80	0.013	36.51	18	19900	36800	0.68	
W208PP8	1	1 1/8	3.1496	0.0005	1.438	1.188	4500	8300	1.66	
		28.6	80	0.013	36.51	30.18	19900	36800	0.75	
W211PP3	2	1 1/2	3.9370	0.0006	1.312	1.312	6550	11000	2.79	
		38.1	100	0.015	33.34	33.34	29000	48800	1.27	
W211PP5	1	1 1/2	4.0000	0.0006	1.75	1.438	6550	11000	3.48	
		38.1	101.6	0.015	44.45	36.52	29000	48800	1.58	

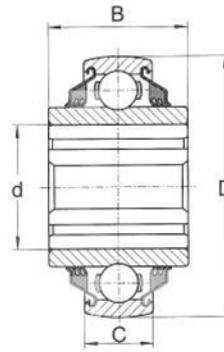
Relubricatable type

KMLNo.	Type	Shaft size	Outside Diameter D			Ring Width B C		Static load ratings Cor	Dynamic load ratings Cr	Mass lbs/kg
			Tolerance +0.000" +0.000mm to minus			+0.000", -0.005" +0.00, -.12mm				
			In/mm	In/mm	In/mm	In/mm	In/mm			
GW208PPB17	4	1 1/8	3.3755	0.0005	1.438	1.188	4500	8300	2.04	
		28.6	85.738	0.013	36.53	30.18	19900	36800	0.925	
GW210PP4	4	1 1/8	3.5433	0.0006	1.188	1.188	5200	9000	2.31	
		28.6	90	0.015	30.18	30.18	23000	39900	1.048	
GW211PP3	4	1 1/2	3.937	0.0006	1.312	1.312	6550	11000	2.79	
		38.1	100	0.015	33.34	33.34	29000	48800	1.266	
GW211PP17	3	1 1/2	3.937	0.0006	1.750	1.312	6550	11000	2.62	
		38.1	100	0.015	44.45	33.34	29000	48800	1.188	

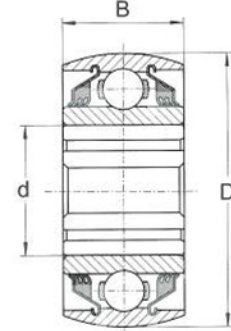
Disc Harrow Ball Bearings

Square bore

Spherical O.D.



Type 1



Type 2

Non-Relubricatable type

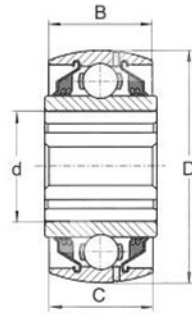
KML No.	Type	Shaft size	Outside Diameter D			Ring Width B C		Static load ratings Cor	Dynamic load ratings Cr	Mass lbs/kg
			In/mm	Tolerance		In/mm	In/mm			
				+0.000"	+0.000mm to minus					
W208PPB13	1	7/8 22.2	3.1496	0.0005	1.438	0.709	4500	8300	1.62	
			80	0.013	36.53	18.00	19900	36800	0.735	
W208PPB6	1	1 25.4	3.1496	0.0005	1.438	0.709	4500	8300	1.59	
			80	0.013	36.53	18.00	19900	36800	0.721	
W208PPB5	1	1 1/8 28.6	3.1496	0.0005	1.438	0.709	4500	8300	1.47	
			80	0.013	36.53	18.00	19900	36800	0.667	
W208PPB8	1	1 1/8 28.6	3.1496	0.0005	1.437	1.189	4500	8300	0.75	
			80	0.013	36.53	30.18	19900	36800	1.652	
W208PPB9	1	1 25.4	3.1496	0.0005	1.437	1.189	4500	8300	0.79	
			80	0.013	36.53	30.18	19900	36800	1.740	
W208PPB11	1	7/8 22.23	3.3760	0.0006	1.437	1.189	4500	8300	0.93	
			85.750	0.015	36.53	30.18	19900	36800	2.048	
W208PPB12	1	1 1/8 28.6	3.3760	0.0006	1.437	1.189	4500	8300	0.85	
			85.750	0.015	36.53	30.18	19900	36800	1.872	
W208PPB13	1	7/8 22.23	3.1496	0.0006	1.437	0.709	4500	6300	0.93	
			80.000	0.015	36.53	18.00	19900	36800	2.048	
W209PPB5	1	1 1/4 31.8	3.3465	0.0006	1.438	1.188	4550	8300	1.75	
			85	0.015	36.53	30.18	20200	36800	0.794	
W209PPB7	2	1 1/4 31.8	3.3760	0.0006	1.437	1.189	4500	8300	0.84	
			85.750	0.015	36.53	30.18	19900	36800	1.850	
W210PPB4	1	1 1/8 28.6	3.5433	0.0006	1.188	1.188	5200	9000	2.11	
			90	0.015	30.18	30.18	23000	39900	0.957	
W210PPB6	2	1 1/8 28.6	3.5433	0.0006	1.438	1.188	5200	9000	2.25	
			90	0.015	36.53	30.18	23000	39900	1.021	
W211PPB3	1	1 1/2 38.1	3.9370	0.0006	1.312	1.312	6550	11000	2.66	
			100	0.015	33.34	33.34	29000	48800	1.207	
W211PPB6	1	1 1/2 38.1	4.077	0.0006	1.750	1.438	4500	8300	0.75	
			103.556	0.015	44.45	36.52	19900	36800	1.652	



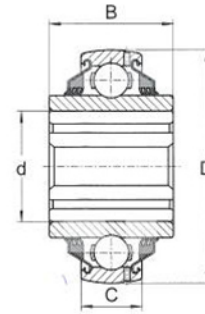
Disc Harrow Ball Bearings

Square bore

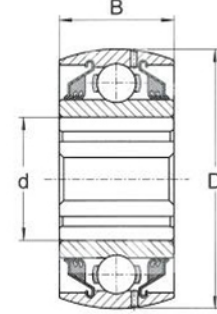
Spherical O.D.



Type 1



Type 2



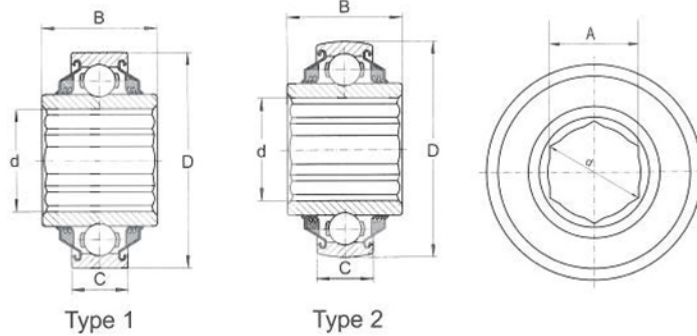
Type 3

Relubricatable type

KML No.	Type	Shaft size	Outside Diameter D		Ring Width B C		Static load ratings Cor	Dynamic load ratings Cr	Mass lbs/kg	
			In/mm	In/mm	Tolerance +0.000" +0.000mm to minus	In/mm				In/mm
GW208PPB6	2	1	3.1496	0.0005	1.438	0.827	4500	8300	1.75	
		25.4	80	0.013	36.53	21.00	19900	36800	0.794	
GW208PPB5	2	1 ¹ / ₈	3.1496	0.0005	1.438	0.827	4500	8300	1.47	
		28.6	80.000	0.013	36.53	21.00	19900	36800	0.667	
GW208PPB8	1	1 ¹ / ₈	3.1496	0.0005	1.438	1.188	4500	8300	1.75	
		28.6	80	0.013	36.53	30.18	19900	36800	0.794	
GW209PPB5	1	1 ¹ / ₄	3.3456	0.0006	1.438	1.188	4550	8300	1.75	
		31.8	85	0.015	36.53	30.18	20200	36800	0.794	
GW209PPB8	2	1 ¹ / ₄	3.346	0.0006	1.438	0.866	4550	8300	1.65	
		31.8	85	0.015	36.53	22.00	20200	36800	0.748	
GW210PPB4	3	1 ¹ / ₈	3.5433	0.0006	1.188	1.188	5200	9000	1.75	
		28.6	90	0.015	30.18	30.18	23000	39900	0.794	
GW211PPB3	3	1 ¹ / ₂	3.937	0.0006	1.312	1.312	6550	11000	2.66	
		38.1	100	0.015	33.34	33.34	29000	48800	1.207	
GW214PPB4	3	2	4.921	0.0008	1.562	1.562	9800	16000	4.75	
		50.8	125	0.020	39.68	39.680	43500	71000	2.155	
GW216PPB4	2	1 ³ / ₄	5.5118	0.0008	2.5	1.181	10200	18000		
		44.4	140	0.020	63.5	30.00	45000	80000		
GW216PP2	2	2 ¹ / ₄	5.5118	0.0008	2.5	1.181	10200	18000		
		57.2	140	0.020	63.5	30.00	45000	80000		
GW216PPB2	2	2 ¹ / ₄	5.5118	0.0008	2.5	1.181	10200	18000		
		57.2	140	0.020	63.5	30.00	45000	80000		

Hex Bore Series

Non-Relubricatable Type



Cylindrical O.D.

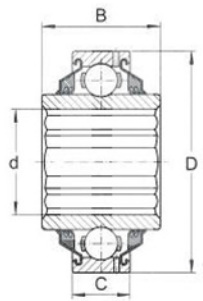
KML No.	Type	Hex Shaft size	Hex Bore			Outside Diameter		Width		Static load ratings Cor	Dynamic load ratings Cr	Mass lbs/kg
			A	tolerance +0.000* -0.00mm to minus	d	D	C	B				
			Across flats		Across comers min.	tolerance +0.000* -0.000mm to minus	outer +0.0000* +0.000mm	inner -0.005* -0.12mm				
In/mm	In/mm	In/mm	In/mm	In/mm	In/mm	In/mm	In/mm	lbf/N	lbf/N			
202KRR3	1	9/16	0.563 14.30	0.005 0.13	0.648 16.46	1.3780 35	0.0005 0.013	0.433 11	0.512 13	1000 4400	2360 10600	0.12 0.054
204KRR2	1	11/16	0.695 17.65	0.005 0.13	0.796 20.22	1.8504 47	0.0005 0.013	0.551 14	0.825 20.96	1400 6200	3200 14300	0.32 0.145
205KRR2	1	7/8	0.876 22.25	0.005 0.13	1.010 25.65	2.0472 52	0.0005 0.013	0.591 15	1.000 25.4	1560 6950	3450 15600	0.44 0.2
206KPP3	1	1	1.001 25.43	0.005 0.13	1.152 29.26	2.4409 62	0.0005 0.013	0.630 16	0.945 24	2280 10000	4800 21600	0.76 0.3455
206KRR6	1	1	1.001 25.43	0.005 0.13	1.152 29.26	2.4409 62	0.0005 0.013	0.630 16	0.945 24	2280 10000	4800 21600	0.75 0.34
207KPP3	1	1 1/4	1.251 31.77	0.005 0.13	1.433 36.40	2.8346 72	0.0005 0.013	0.669 17	1.484 37.7	3050 13700	6400 28500	1 0.454
207KRR17	1	1 1/4	1.251 31.77	0.005 0.13	1.433 36.40	2.8346 72	0.0005 0.013	0.669 17	0.984 25	3050 13700	6400 28500	0.87 0.395
W208KRR8	1	1 1/4	1.251 31.77	0.005 0.13	1.443 36.65	3.1496 80	0.0005 0.013	0.709 18	1.438 36.53	4000 17600	8150 36000	1.45 0.658

Spherical O.D.

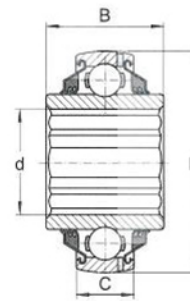
KML No.	Type	Hex Shaft size	Hex Bore			Outside Diameter		Width		Static load ratings Cor	Dynamic load ratings Cr	Mass lbs/kg
			A	tolerance +0.000* -0.00mm to minus	d	D	C	B				
			Across flats		Across comers min.	tolerance +0.000* -0.000mm to minus	outer +0.0000* +0.000mm	inner -0.005* -0.12mm				
In/mm	In/mm	In/mm	In/mm	In/mm	In/mm	In/mm	In/mm	lbf/N	lbf/N			
205KRRB2	2	7/8	0.876 22.25	0.005 0.13	1.010 25.65	2.0472 52	0.0005 0.013	0.591 15	1.000 25.4	1560 6950	3450 15600	0.44 0.2
205PPB13	2	7/8	0.876 22.25	0.005 0.13	1.010 25.65	2.0472 52	0.0005 0.013	0.591 15	1.000 25.4	1560 6950	3450 15600	0.44 0.2
206KPPB3	2	1	1.001 25.43	0.005 0.13	1.152 29.26	2.4409 62	0.0005 0.013	0.630 16	0.945 24	2280 10000	4800 21600	0.76 0.345
206KRRB6	2	1	1.001 25.43	0.005 0.13	1.152 29.26	2.4409 62	0.0005 0.013	0.630 16	0.945 24	2280 10000	4800 21600	0.75 0.34
207KPPB3	2	1 1/4	1.251 31.77	0.005 0.13	1.433 36.40	2.8346 72	0.0005 0.013	0.669 17	0.984 25	3050 13700	6400 28500	0.87 0.395
207KRRB9	2	1 1/8	1.126 28.60	0.005 0.13	1.298 32.97	2.8346 72	0.0005 0.013	0.669 17	1.484 37.7	3050 13700	6400 28500	1 0.454
207KRRB12	2	1 1/8	1.126 28.60	0.005 0.13	1.298 32.97	2.8346 72	0.0005 0.013	0.669 17	0.984 25	3050 13700	6400 28500	0.87 0.395
207KRRB17	2	1 1/4	1.251 31.77	0.005 0.13	1.433 36.40	2.8346 72	0.0005 0.013	0.669 17	0.984 25	3050 13700	6400 28500	0.87 0.395
W208PPB16	2	1 1/4	1.251 31.77	0.005 0.13	1.443 36.65	3.1496 80	0.0005 0.013	0.709 18	1.438 36.53	4000 17600	8150 36000	1.45 0.658
W208KRRB6	2	1 3/8	1.376 34.95	0.005 0.13	1.587 40.30	3.1496 80	0.0005 0.013	0.827 21	1.438 36.53	4000 17600	8150 36000	
209KRRB2	2	1 1/2	1.501 38.12	0.005 0.13	1.730 43.94	3.3456 85	0.0006 0.015	0.748 19	1.181 30	4000 17600	8150 36000	1.27 0.576
W210PPB7	2	1 5/8	1.626 41.30	0.005 0.13	1.876 47.65	3.5433 90	0.0006 0.015	1.188 30.18	1.188 30.18	4500 19600	8800 39000	1.75 0.794

Hex Bore Series

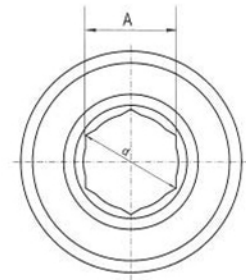
Relubricatable Type



Type 1



Type 2

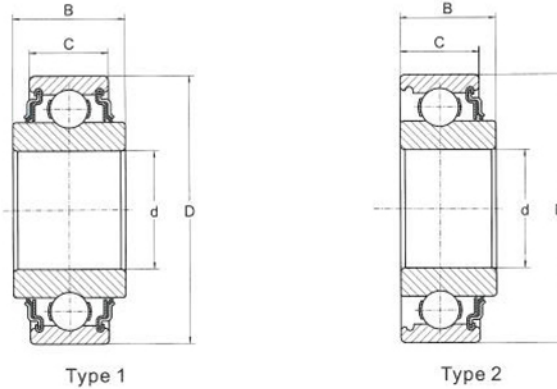


KML No.	Type	Hex Shaft size	Hex Bore			Outside Diameter		Width		Static load ratings Cor	Dynamic load ratings Cr	Mass lbs/kg
			A	tolerance +0.000" -0.00mm to minus	d	D	tolerance +0.000" -0.000mm to minus	C	B			
			Across flats		Across comers min.							
In/mm	In/mm	In/mm	In/mm	In/mm	In/mm	In/mm	In/mm	lbf/N	lbf/N			
G206KPP4	1	1	1.001 25.43	0.005 0.13	1.152 29.26	2.4409 62	0.005 0.13	0.709 18	0.945 24	2280 10000	4800 21600	0.62 0.281
G206KPPB4	2	1	1.001 25.43	0.005 0.13	1.152 29.26	2.4409 62	0.005 0.13	0.709 18	0.945 24	2280 10000	4800 21600	0.61 0.277
G206KRRB6	2	1	1.001 25.43	0.005 0.13	1.152 29.26	2.4409 62	0.005 0.13	0.709 18	0.945 24	2280 10000	4800 21600	0.59 0.268
G207KPPB2	2	1 1/8	1.126 28.60	0.005 0.13	1.298 32.97	2.8346 72	0.005 0.13	0.748 19	1.484 37.7	3050 13700	6400 28500	1 0.454
GW208KRRB5	2	1 1/4	1.251 31.77	0.005 0.13	1.443 36.65	3.1496 80	0.005 0.13	0.827 21	1.438 36.51	4000 17600	8150 36000	1.4 0.635

Light 200 Series

R-Seal Type

Special Sizes

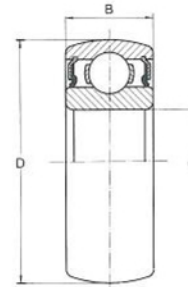


KML No.	Type	Bore		Outside Diameter		Ring Width		Static load ratings Cor	Dynamic load ratings Cr
		d	D	B	C				
		In/mm	In/mm	In/mm	In/mm				
203KR2	2	0.6253 15.883	1.5748 40	0.551 14.00	0.472 12	1000 4400	2360 10600		
203KRR2	1	0.6400 16.256	1.5748 40	0.720 18.29	0.472 12	1000 4400	2360 10600		
203KRR5	1	0.5150 13.081	1.5748 40	0.720 18.29	0.472 12	1000 4400	2360 10600		
203KRR7	1	0.6693 17	1.5748 40	0.654 16.61	0.472 12	1000 4400	2360 10600		
207KRR	1	1.3780 35	2.8346 72	0.984 25.00	0.669 17	3050 13700	6400 28500		
208KRR2	1	1.5748 40	3.1496 80	1.063 27.00	0.827 21	4000 17600	8150 36000		

CS 200 DDU Series

Ball bearings

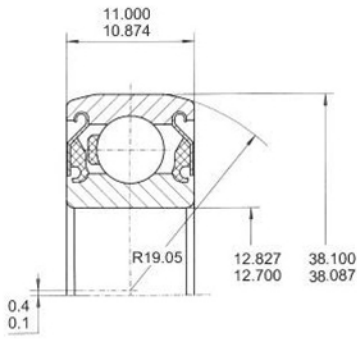
Spherical O.D.



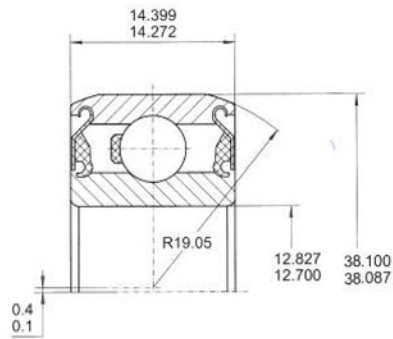
KML No.	Boundary dimensions mm			Basic load ratings N		Mass kg
	d	D	B	Dynamic Cr	Static Cor	
CS203 DDU	17	40	12	9600	4600	0.065
CS204 DDU	20	47	14	12800	6650	0.11
CS205 DDU	25	52	15	14000	7850	0.18
CS206 DDU	30	62	16	19500	11300	0.20
CS207 DDU	35	72	17	25700	15300	0.30
CS208 DDU	40	80	18	29100	17800	0.37
CS209 DDU	45	85	19	32500	20400	0.43
CS210 DDU	50	90	20	35000	23200	0.46
CS211 DDU	55	100	21	43500	29200	0.62
CS212 DDU	60	110	22	52500	36000	0.80



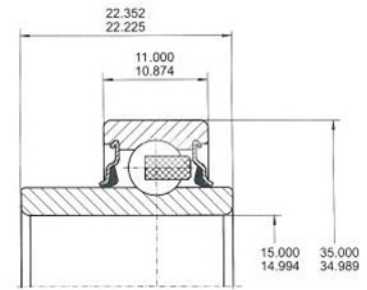
Special Size
Ball Bearings



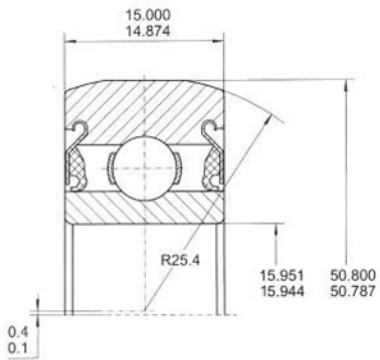
202NPP9



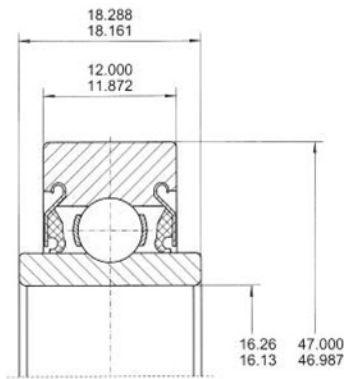
202KRR7



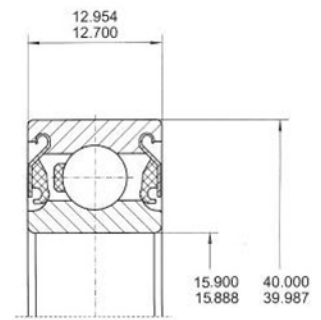
202RRE



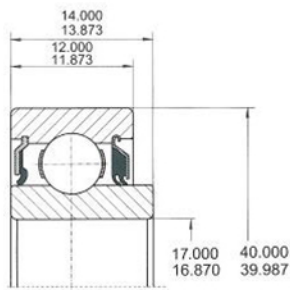
203KRR3



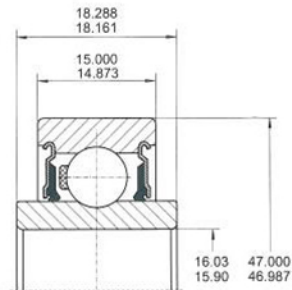
203KRR6



203NPP9

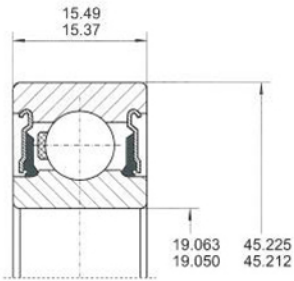


203JD

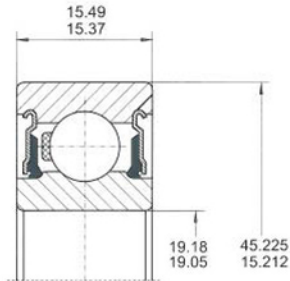


204KRR14

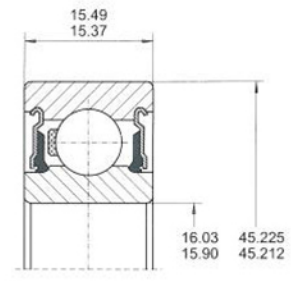
Special Size
Ball Bearings



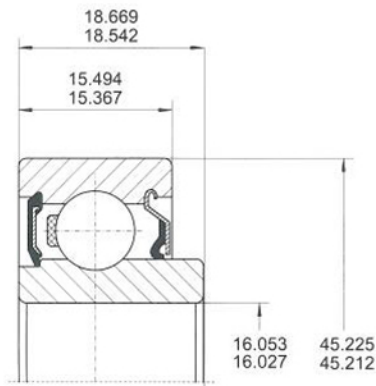
204RR6



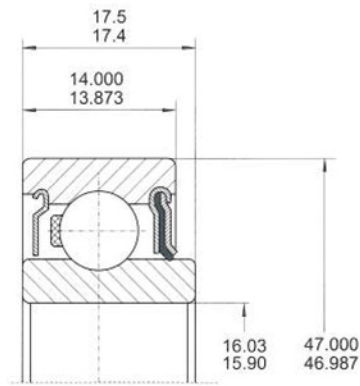
204RR7



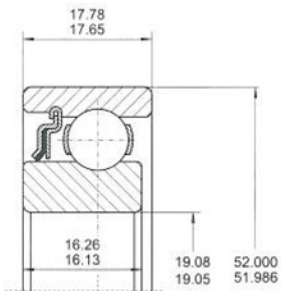
204RR8



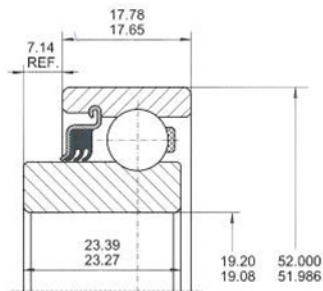
204-FREN



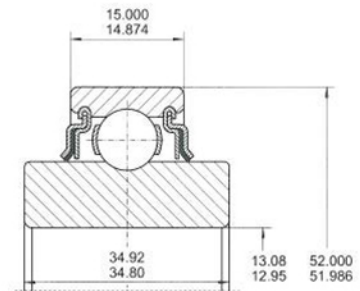
204KRD4



205KR3



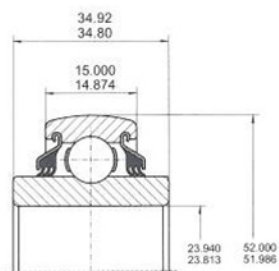
205KP6



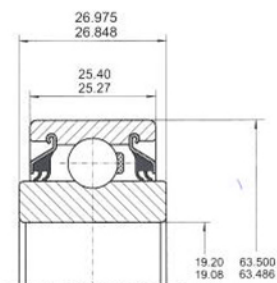
205KRR6



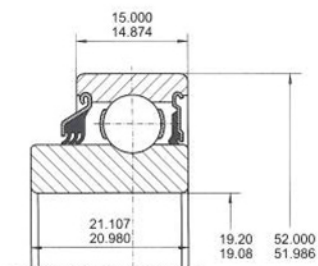
Special Size
Ball Bearings



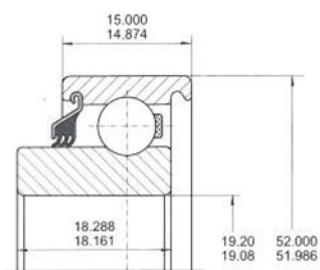
205PPB7



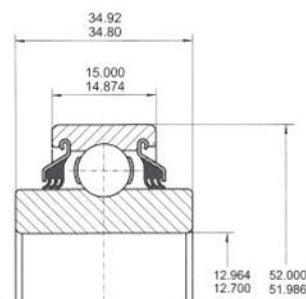
205KYY3



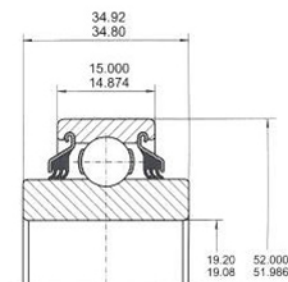
205KRP2



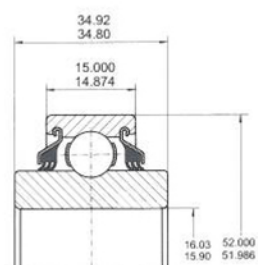
205KP8



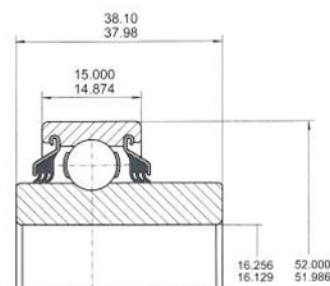
205PP8



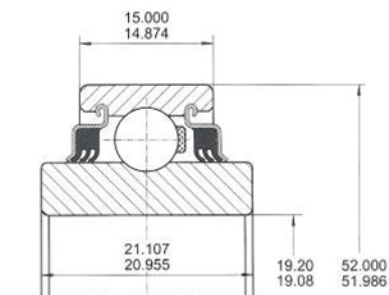
205PP9



205PP10

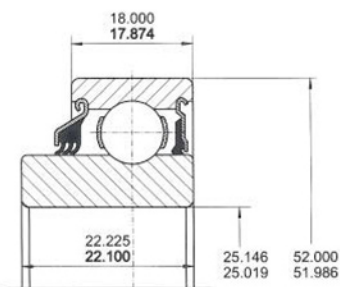


205PP12

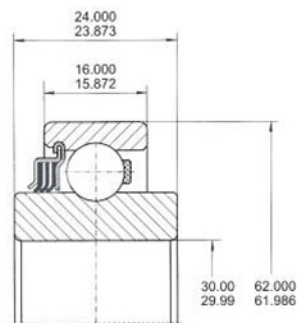


205E-2RST

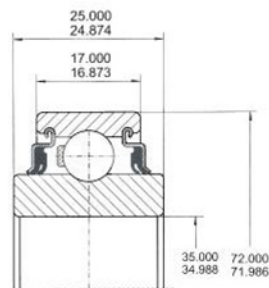
Special Size
Ball Bearings



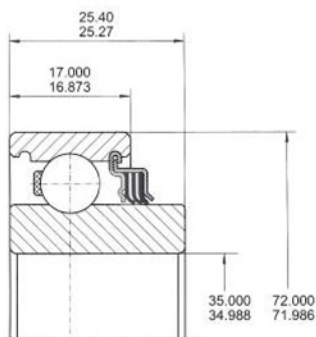
206KRP4



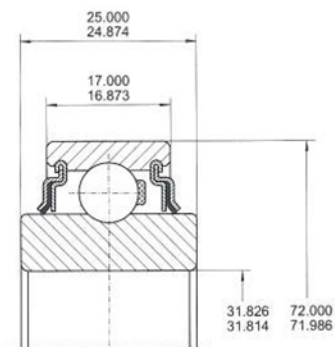
206KP2



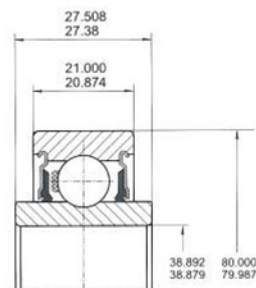
207KYY



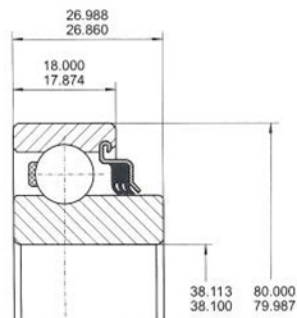
207KP2



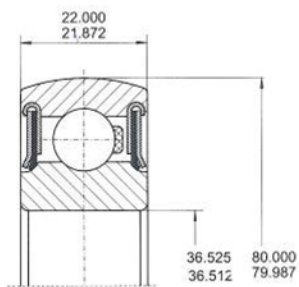
207KRR14



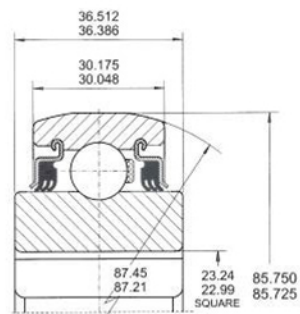
208KR4



208KP2



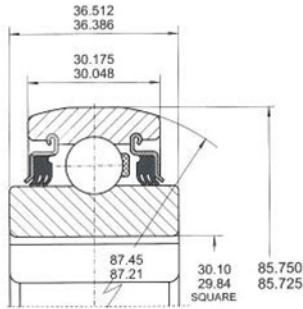
208NPPB5



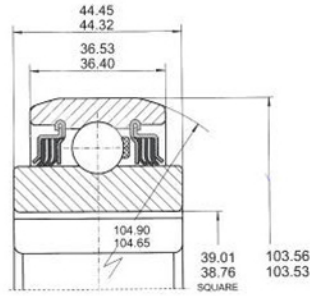
W208PPB11



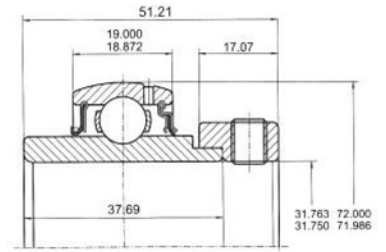
Special Size
Ball Bearings



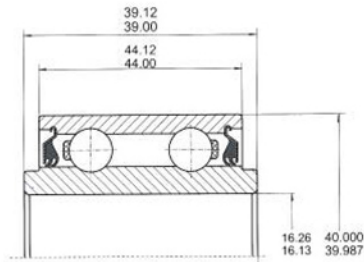
W208PPB12



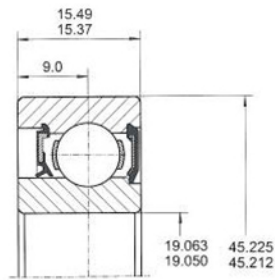
W211PPB6



G1104KRXB2



5203KYY2



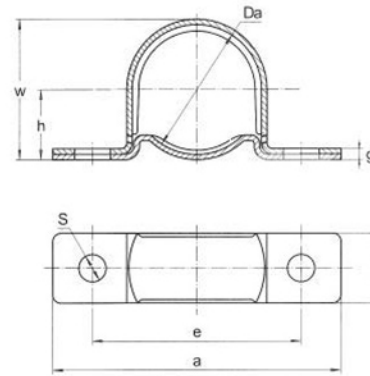
Z9504AB

Pressed Steel Housing

PP200 series

Pillow Blocks housing - Snap Together
standard steel pillow block sets

KML No.	Boundary dimensions mm							
	Da	h	a	e	b	S	w	g
PP203	40	22.2	86	68	25	9.5	43.8	3.2
PP204	47	25.4	98	76	32	9.5	50.5	3.2
PP205	52	28.6	108	86	32	11.5	56.6	4
PP206	62	33.3	117	95	38	11.5	66.3	4
PP207	72	39.7	129	106	42	11.5	78	4.6

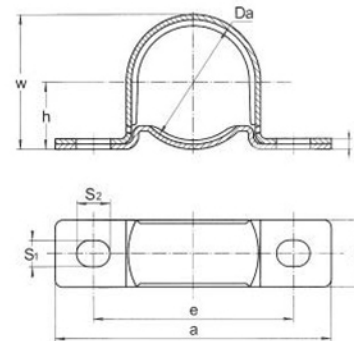


Pressed Steel Housing

PP200ST series

Pillow Blocks housing - Snap Together
Heavy duty steel pillow block sets

KML No.	Boundary dimensions mm								
	Da	h	a	e	b	S1	S2	w	g
PP203ST	40	22.22	92	68	25	9	13	44	4
PP204ST	47	25.40	105	76	25	10	13	53	4
PP205ST	52	28.58	109	86	29	10	14	56	5
PP206ST	62	33.34	124	95	32	10	14	67	6
PP207ST	72	39.69	146	108	33	13	19	79	6



Standard Stock Item is Snap Together Type and Zinc Plated.

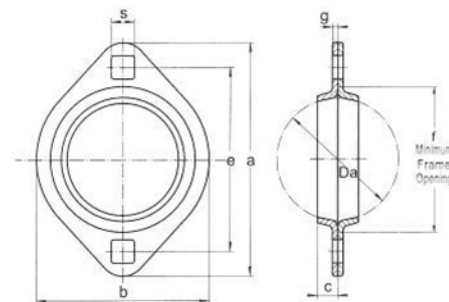
Pressed Steel Housing

PFL200 series

Two-Bolt Flange housings

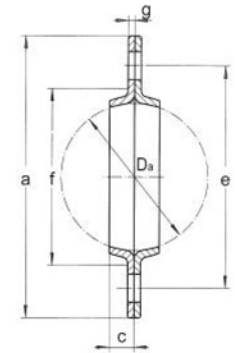
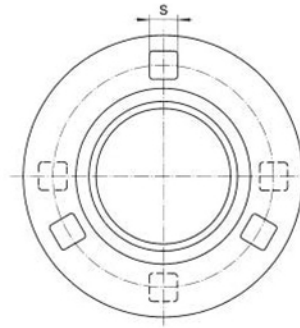
KML No.	Boundary dimensions mm								Bolt size	Radial load ratings lbs	FAFNIR	SKF	NTN
	Da	b	a	e	c	s	f	g					
PFL203	40	58.7	81	63.5	7.1	7.1	49.2	1.9	1/4 M6	600	40MST	FT-40	PFL203
PFL204	47	66.7	90.5	71.4	7.9	8.7	55.6	2.1	5/16 M8	700	47MST	FT-47	PFL204
PFL205	52	71	95.3	76.2	8.7	8.7	60.3	2.1	5/16 M8	800	52MST	FT-52	PFL205
PFL206	62	84.1	112.7	90.5	8.7	10.3	71.4	2.6	3/8 M10	1100	62MST	FT-62	PFL206
PFL207	72	93.7	125.4	100.1	11.1	10.3	81	2.6	3/8 M10	1400	72MST	-	PFL207

Standard Stock Item is Zinc Plated.





Pressed Steel Housing
PF200 series
 Round Flange Housings



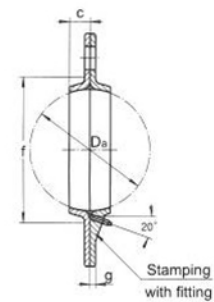
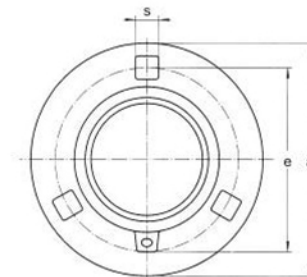
PF203 - PF207
 Three Holes

PF208 - PF211
 Four Holes

KML No.	Boundary dimensions mm						Bolt Size	FAFNIR	SKF	MRC	New departure
	a Flange Dia.	e Bolt Hole Circle Dia.	g Stock Thickness	s Hole Width	c Flange Shoulder Width	f Minimum frame opening					
PF203	81	63.5	1.9	7.1	7.1	49.2	1/4 M6	40MS	F-40	-	-
PF204	90.5	71.4	2.1	8.7	7.9	55.6	5/16 M8	47MS	F-47	47MS-3	FL47
PF205	95.3	76.2	2.1	8.7	8.7	60.3	5/16 M8	52MS	F-52	52MS-3	FL52
PF206	112.7	90.5	2.6	10.3	8.7	71.4	3/8 M10	62MS	F-62	62MS-3	FL62
PF207	122.2	100.12	2.6	10.3	9.5	81	3/8 M10	72MS	F-72	72MS-3	FL72
PF208	147.6	119.1	3.4	13.5	10.3	90.5	1/2 M14	80MS	F-82	80MS	FL82
PF209	149.2	120.7	3.4	13.5	11.1	96.8	1/2 M14	85MS	F-85	85MS	FL85
PF210	155.6	127	3.8	13.5	11.1	101.6	1/2 M14	90MS	F-90	90MS	FL90
PF211	166.7	138.1	3.8	13.5	11.9	112.7	1/2 M14	100MS	-	-	FL100

Standard Stock Item is Zinc Plated.

Pressed Steel Housing
PF200G,PF200GP seires
 Round Flange Housings
 Three-Bolt flange Housings

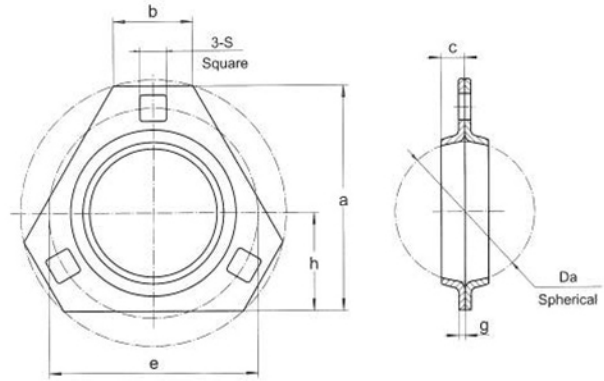


Hole width (SQ) tolerance ± 0.005

Stamping Number	KML No.	Flange without fitting	Boundary dimensions mm					Bolt Size	
			a Flange Dia.	e Bolt Hole Circle Dia.	g Stock Thickness	s Hole Width	c Flange Shoulder Width		f Minimum frame opening
PF204G	PF204GP		90.5	71.4	2.1	8.7	7.9	55.6	5/16 M8
PF205G	PF205GP		95.2	76.2	2.1	8.7	8.7	60.3	5/16 M8
PF206G	PF206GP		112.7	90.5	2.6	10.3	9.5	71.4	3/8 M10
PF207G	PF207GP		122.2	100.1	3.4	10.3	11.1	81	3/8 M10
PF208G	PF208GP		147.6	106	3.8	13.5	15.9	90.5	1/2 M14
PF209G	PF209GP		149.2	120.7	3.8	13.5	15.9	96.8	1/2 M14
PF210G	PF210GP		155.6	127	4.2	13.5	16.7	101.6	1/2 M14
PF211G	PF211GP		166.7	138.1	4.2	13.5	16.7	112.7	1/2 M14

Standard Stock Item is Zinc Plated.

Pressed Steel Housings
PFT200 series
 Triangular Three-bolt Flanges Housings



KML No.	Boundary dimensions mm								
	Da	a	e	g	s	c	h	b	Minimum frame opening
PFT203	40	69.1	63.5	1.9	7.1	7.1	28.6	20.6	48.2
PFT204	47	76.2	71.4	2.1	8.7	7.9	33.3	27	55.6
PFT205	52	79.4	76.2	2.1	8.7	8.7	34.9	27.8	60.3
PFT206	52	93.7	90.5	2.6	10.3	8.7	38.1	25.4	71.4
PFT207	72	105.6	100.1	2.6	10.3	9.5	44.5	32.1	81

Standard Stock Item is Zinc Plated.



Interchange

KML	PEER	FAFNIR	BCA	LINK-BELT	NTN	RHP
202NPP9 202RRE	202NPP9 202RRE	202NPP9 J202KRR8	202FFH8 202KRR8			
203JD 203KRR2 203KRR3 203KRR5	203JD 203KRR3 203KRR5	 203KRR2 203KRR3 203KRR5	203K 203RRAR10 8984YY 203RRAR8	 BS226119	5X0366LUL	
204FREN 204KDR4 204RY2	 204KRD4 204JY3	204KRD4 204RY2	204FGB 204FVMN			
205E-2RST 205KPPB2 205KR3 205KRR2 205KRRB2 205PPB7 205RTAN	 205KPPB2 205KR3 205KRR2 205KRRB2 205PPB7	 205KR3 205KRR2 205KRRB2 205PPB7	 205RHN HPC014GP HPS014GP 205TTH	 14KB205N 14K205N BS217948N	1AH05-7/8 2AH05-7/8	
206KRR6 206KRRB6	206KRR6 206KRRB6	206KRR6 206KRRB6	HPC100GP HPS100GP	16KB206N 16K206N	1AH06-1 2AH06-1	
499502H 99502H CF5202-2RST-8						DF0109LLPK1
CS202DDU CS203DDU CS204DDU CS205DDU CS206DDU CS207DDU CS208DDU CS209DDU CS210DDU		202NPPB 203NPPB 204NPPB 205NPPB 206NPPB 207NPPB 208NPPB 209NPPB 210NPPB	S202FF S203FF S204FF S205FF S206FF S207FF S208FF S209FF S210FF		CS202LLU CS203LLU CS204LLU CS205LLU CS206LLU CS207LLU CS208LLU CS209LLU CS210LLU	1726203-2RS 1726204-2RS 1726205-2RS 1726206-2RS 1726207-2RS 1726208-2RS 1726209-2RS 1726210-2RS
CS304DDU CS305DDU CS306DDU CS307DDU CS308DDU CS309DDU CS310DDU		304NPPB 305NPPB 306NPPB 307NPPB 308NPPB 309NPPB 310NPPB	S304FF S305FF S306FF S307FF S308FF S309FF S310FF		CS304LLU CS305LLU CS306LLU CS307LLU CS308LLU CS309LLU CS310LLU	1726304-2RS 1726305-2RS 1726306-2RS 1726307-2RS 1726308-2RS 1726309-2RS 1726310-2RS
G207KPPB2 G207KPPB3	G207KPPB2	G207KPPB2	HPS102TR			G207KPPB3
G209KPPB2	G209KPPB2					
GW208PP17 GW208PPB5 GW208PPB6 GW208PPB8	GW208PP17 GW208PPB5 GW208PPB6 GW208PPB8	GW208PP17 GW208PPB5 GW208PPB6 GW208PPB8	DS208TTR17 DS208TTR21 DS208TTR6 DS208TTR8	18SG7-2E08E3 16SG7-208E3 18SG2-2E08E3	1AS08-1 5/32D1 2AS08-1 1/8 D1	
GW209PPB11 GW209PPB2 GW209PPB4	GW209PPB11 GW209PPB2 GW209PPB4	GW209PPB11 GW209PPB2 GW209PPB4	DS209TTR10 DS209TTR2 DS209TTR4	RG3-209E3 24RG3-209E3	1AC09D1V1 3AC09D1 3AC09 1 1/2 D1	
GW210PP4 GW210PPB2 GW210PPB4 GW210PPB5	GW210PP4 GW210PPB2 GW210PPB4 GW210PPB5	GW210PP4 GW210PPB2 GW210PPB4 GW210PPB5	DC210TTR4 DS210TTR2 DS210TTR4 DS210TTR5R	18SBG3-210ES 31RG3-210E3 18SG3-210E3 28RG3-210E3	7AS10-1 1/8 D1 3AC10-1 15/16 D1 3AC10-1 3/4 D1	
GW211PP17 GW211PP25	GW211PP17 GW211PP25	GW211PP17 GW211PP37	DC211TTR3E DC211TTR21			

Interchange

KML	PEER	FAFNIR	BCA	LINK-BELT	NTN
GW211PPB13	GW211PPB13	GW211PPB13	DS211TTR13		
GW211PPB2	GW211PPB2	GW211PPB2	DS211TTR2	35RG3-211E3	3AC11-2 3/16 D1
GW211PPB3	W211PPB3	W211PPB3	DS211TT3	24S3-211E3	3AS11-1 1/2
GW211PPB3	GW211PPB3	GW211PPB3	DS211TTR3	24SG3-211E3	3AS11-1 1/2 D1
GW211PPB9	GW211PPB9	GW211PPB9	DS211TTR9		
GW214PP2	GW214PP2	GW214PP2	DC214TTR2		3AC14D1
GW214PPB2	GW214PPB2	GW214PPB2		DC214TTR3	
GW214PPB3	GW214PPB3				3AS14-2D1
GW214PPB4	GW214PPB4	GW214PPB4			
GW214PPB6	GW214PPB6		DS214TTRA		
W208PP5	W208PP5	W208PP5	DC208TT5	18SB5-2E08E3	5AS08-1 1/8
W208PP6	W208PP6	W208PP6	DC208TT6	16SB5-208E3	
W208PPB13	W208PPB13	W208PPB13	DS208TT13	14S5-208E3	1AS08-7/8
W208PPB2	W208PPB2	W208PPB2		24R6-208E3	2AC08-1 1/2
W208PPB7	W208PPB7	W208PPB7	DS208TT7	19R208E3	1AC08-1 3/16
W208PPB8	W208PPB8	W208PPB8	DS208TT8	18S2-2E08E3	2AS08-1 1/8
W208PPB9	W208PPB9	W208PPB9	DS208TT9	16S2-208E3	2AS08-1 1/8
W209PPB2	W209PPB2	W209PPB2	DS209TT2	R3-209E3	
W209PPB4	W209PPB4	W209PPB4	DS209TT4	24R3-209E3	3AC09-1/2
W210PP2	W210PP2	W210PP2	DC21TT2	31RB3-210E3	7AC10-1 15/16
W210PP4	W210PP4	W210PP4	DC210TT4	18SB3-210E3	7AS10-1 1/8
W210PPB2	W210PPB2	W210PPB2	DS210TT2	31R3-210E3	3AC10-1 15/16
W210PPB4	W210PPB4	W210PPB4	DS210TT4	18S3-210E3	3AS10-1 3/4
W210PPB5	W210PPB5	W210PPB5	DS210TT5	28R3-210E3	3AC10-1 3/4
W210PPB6	W210PPB6	W210PPB6	DS210TT6	18S2-210ES	2AS10-1 1/8
W211PP2	W211PP2	W211PP2	DC211TT2	35RB3-211E3	7AC11-2 3/16
W211PP3	W211PP3	W211PP3	DC211TT3	24SB3-211E3	7AS11-1 1/2
W211PP5	W211PP5	W211PP5	DS211TT5		6AS11-1 1/2 V1
W211PPB2	W211PPB2	W211PPB2	DS211TT2	35R3-211E3	3AC11-2 3/16
W211PPB6	W211PPB6	W211PPB6	DS211TT6		4AS11-1 1/2
Z9504AB					
Z9504RST					
Z9504-RST	Z9504-2RST	P204RR6	204BBAR		SC045IIC3
ST491A	ST491A	491A	FD-209-RA		
ST491B	ST491B	DHU 1 1/2 R-209	FD-209-RB		
DHU 1 1/8 S-209	FD209-1 1/8SQ	DHU 1 1/8 S-209	FD-209-RM		
DHU 1 1/4 R-209	FD209-1 1/4SQ	DHU 1 3/4 R-209	FD-209-RK		
DHU 1 1/4 S-209		DHU 1 1/4 S-209			
DHU 1 1/2 S-211	FD211-1 1/2SQ	DHU 1 1/2 S-211	FD-211-RM		
DHU 1 3/4 R-211	FD211-1 3/4RD	DHU 1 3/4 R-211	FD-211-RE		
DHU 2 3/16 R-211	FD211-2 3/16RD	DHU 2 3/16 R-211	FD-211-RB		
FD-211-RJA	FD211-1 15/16RDC		FD-211-RJA		
DHU 30S-209		DHU 30S-209			
DHU 40R-209		DHU 40R-209			
DHU 45R-209		DHU 45R-209			
DHU 40S-211		DHU 40S-211			
DHU 50R-211		DHU 50R-211			
DHU 55R-211		DHU 55R-211			
203KR2	203KR2	203KR2			
203KRR2	203KRR2	203KRR2			
203KRR5	203KRR5	203KRR5			
203KRR7	203KRR7	203KRR7			
207KRR	207KRR	207KRR			
208KRR2	208KRR2	208KRR2			



Contact List

KML Bearing and Equipment Limited

Address: Flat 5-7, 26th Floor, Saxon Tower, 7 Cheung
Shun Street, Kowloon, Hong Kong, China
Phone: 852-2425-1661
Fax: 852-2480-5866
E-mail: info@kml-bearing.com
Web: www.kml-bearing.com

KML Powertrans Inc.

• Guangzhou, China

Address: Rm 05-06, Floor 17A, Bank of China Building,
338 Qinghe Rd E., Guangzhou, China
Phone: 86-20-8469-8686
Fax: 86-20-8469-8689
E-mail: info@kml-bearing.com
Web: www.kml-bearing.com

• Shanghai, China

Address: Room H, Floor 20, JinXuan Building, 238
Nandan Road East, Shanghai, China
Phone: 86-21-6438-8110
Fax: 86-21-6427-6197

KML PowerTech Ltd.

Address: No.2 Jingliu Road, Luolong Science and
Technology District, Luoyang City, Henan Province, China
Phone: 86-379-6861-3988
Fax: 86-379-6861-3969
E-mail: info@kml-bearing.com
Web: www.kml-powertech.com

KML Bearing USA, Inc.

Address: 213 Jones Blvd., P.O. Box 1136,
Pottstown, PA 19464, USA
Phone: 610-495-6134, 877-495-6134 (toll free)
Fax: 610-495-6183
E-mail: info@kml-bearing.com
Web: www.kml-bearing.com

SMART SUPPLIES

• Mississauga, Canada

Address: 5590 Ambler Dr., Mississauga,
Ontario, L4W 2K9, Canada
Phone: 1-800-565-0044
Fax: 1-905-629-2358
E-mail: info@smartsupplies.ca

• Montreal, Canada

Address: 561 Orly Ave, Dorval, Quebec,
H9P 1G1, Canada
Phone: 1-514-636-1777
Fax: 1-514-636-1519
E-mail: info@smartsupplies.ca

• Edmonton, Canada

Address: 4525 – 101 Street, Edmonton,
Alberta, T6E 5C6, Canada
Phone: 1-780-433-6797
Fax: 1-780-433-6157
E-mail: info@smartsupplies.ca

