

NEW Products and Improved Content in this Edition!



BRINGING MOTION TO YOUR WORLD...



IMPORTANT INFORMATION

Installation:

Always read the original Manufacturer's instruction and service manual(s) to determine the appropriate installation procedures and choice of suitable replacement products or service parts.

Warranty:

Any bearing which if properly selected, installed and used, shows defects upon KML laboratory analysis, due to sub-standard material and/or workmanship will be replaced at no charge provided such defect occurs within one year of delivery date. Claims for labor or incidental damage shall not be allowed.

This warranty is in lieu of all warranties of merchantability, fitness for purpose, or all other warranties, expressed or implied. Our warranties are strictly limited to those stated herein.

KML shall not be liable for any special, indirect or consequential damages. The remedies set forth herein are exclusive, and the liability of KML with respect to any contract or sale, or anything done in connection therein, in contract, in tort, under any warranty or otherwise, shall not exceed the price of the original part upon which such liability is based.

Copyright © 2017: by KML Bearing USA

KML Bearing USA Bearing Catalog # NA117 is the fifth edition.

The contents of this publication are the copyright of KML Bearing USA, Inc. and may not be reproduced in part or in entirety or in any form without specific written permission by the copyright owner.

Every effort has been made to insure the accuracy of the information contained in this publication. KML Bearing USA, Inc. assumes no liability for any errors or omissions. The listing of product in this publication does not insure product introduction or current availability.

KML Bearing USA is a member of the KML Global Bearing Group:

KML Bearing and Equipment Limited	Hong Kong, China
KML Powertrans Inc.	Guangzhou, China
KML Powertrans Inc.	Shanghai, China
KML Powertech Ltd.	Luoyang City, China
KML Bearing Canada, Inc.	Mississauga, Canada
KML Bearing USA	Pottstown, PA, USA

**Produced in the USA by KML Bearing USA
213 Jones Boulevard
Pottstown, PA 19464**

www.KMLBearingUSA.com



TABLE OF CONTENTS

BALL BEARINGS..... 11-21

Radial Ball Bearings

Single Row Metric Size..... 13-15

6800, 6000,
6200, 6300 Series

Spherical O.D. Ball Bearings..... 16
CS200

R Series..... 17
Inch Size

16 Series..... 18
Inch Size

Miniature..... 19
68, 69, 60, 62, 63 Series

Angular Contact Ball Bearings

Double Row..... 20
5200, 5300 Series

Deep Groove Ball Bearings..... 21
Special Dimension Bearings

Thrust Ball Bearings..... 22
51100, 51200 Series

BEARING UNITS..... 23-106

Pillow Blocks

UCPE 200 Series..... 29

SBPE 200 Series..... 30

HCPE 200 Series..... 31

SAPE 200 Series..... 32



TABLE OF CONTENTS

BEARING UNITS - continued..... 32-106

Pillow Blocks – Low Base

UCAK 200 Series.....	33
SBAK 200 Series.....	34
HCAK 200 Series.....	35
SAAK 200 Series.....	36

Pillow Blocks – Tap Base

UCTB 200 Series.....	37
UCPA 200 Series.....	38
HCTB 200 Series.....	39
HCPA 200 Series.....	40

Pillow Blocks – Pressed Steel

UCPP 200 Series.....	41
SBPP 200 Series.....	42
SAPP 200 Series.....	43

Pillow Blocks – Pressed Steel with Rubber Cushion

SBRPP 200 Series.....	44
SARPP 200 Series.....	45

Four Bolt Flange Units

UCF 200 Series.....	46
SBF 200 Series.....	47
HCFS 200 Series.....	48
SAF 200 Series.....	49

Flange Cartridge Units

UCFC 200 Series.....	50
UCFCS 200 Series.....	51
HCFC 200 Series.....	52

Two Bolt Flange Units

UCFL 200 Series.....	53
UCFT 200 Series.....	54
SBFL 200 Series.....	55
HCFT 200 Series.....	56
SAFL 200 Series.....	57
SAFT 200 Series.....	58
SBFD 200 Series.....	59
SAFD 200 Series.....	60
SBLF 200 Series.....	61
SALF 200 Series.....	62



TABLE OF CONTENTS

BEARING UNITS - continued..... 63-106

Triangle Flange Units

SBRFT 200 Series.....	63
SARFT 200 Series.....	64

Three Bolt Flange Bracket Units

UCFB 200 Series.....	65
UCFK 200 Series.....	66

Adjustable Flange Units

UCFA 200 Series.....	67
----------------------	----

Hanger Units

UCHA 200 Series.....	68
----------------------	----

Cylindrical Cartridge Units

UCC 200 Series.....	69
---------------------	----

Take-Up Units

UCST 200 Series.....	70
UCT 200 Series.....	71
HCST 200 Series.....	72
HCT 200 Series.....	73

Round Flangette Units

Three Bolt Series

SBPF 200 Series.....	74
SAPF 200 Series.....	75

Four Bolt Series

SBPF 200 Series.....	76
SAPF 200 Series.....	77

Relube Round Flangette Units

Three Bolt Series

SBPFG 200 Series.....	78
SAPFG 200 Series.....	79

Four Bolt Series

SBPFG 200 Series.....	80
SAPFG 200 Series.....	81



TABLE OF CONTENTS

BEARING UNITS - continued..... 82-106

Two Bolt Flangette Units	
SBPFL 200 Series.....	82
SAPFL 200 Series.....	83
Triangle Flangette Units	
SBPFT 200 Series.....	84
SAPFT 200 Series.....	85
Rubber Cartridges	
RCSM for HVAC (Eccentric Collar).....	86
RCSM for HVAC (Set Screw).....	87
SBR 200 Series.....	88
SAR 200 Series.....	89
Wide Inner Ring Bearings	
SER 200 Series.....	90
UC 200 Series.....	91
HC 200 Series.....	92
Narrow Inner Ring Bearings	
SB 200 Series.....	93
CSB 200 Series.....	94
SA 200 Series.....	95
CSA 200 Series.....	96
PRESSED STEEL HOUSINGS	
Snap-Together – Pillow Block.....	97
Round Flangette Units.....	98
Relube Round Flangette Units.....	99
Two-Bolt Flangette Units.....	100
Triangle Three-Bolt Flangette Units.....	101
Rubber Boots or Grommets.....	102
Two Bolt Flush Mounts (MFM)	
CSBMFM.....	103
CSAMFM.....	104
Two Bolt Flush Mounts (Rubber Booted)	
CSBMFMR.....	105
CSAMFMR.....	106



TABLE OF CONTENTS

AGRICULTURAL BEARINGS..... 107-123

Disc Harrow Ball Bearings

Tri-Ply Seal Series

Round Bore

Relubricatable Type Cylindrical O.D..... 109

Non-Relubricatable Type Cylindrical O.D..... 110

Relubricatable Type Spherical O.D..... 111

Non-Relubricatable Type Spherical O.D..... 112

Square Bore

Relubricatable Type Cylindrical O.D..... 113

Non-Relubricatable Type Cylindrical O.D..... 114

Relubricatable Type Spherical O.D..... 115

Non-Relubricatable Type Spherical O.D..... 116

Hex Bore

Non-Relubricatable Type Cylindrical O.D..... 117

Non-Relubricatable Type Spherical O.D..... 118

Disc Harrow Units

Tri-Ply Seal Series

Round Bore

Relubricatable..... 119

Square Bore

Relubricatable..... 120

Ball Bearings..... 121

Special Size

203KRR5

203KRR2

202RRE

202NPP9

Ball Bearings..... 122

Special Size

203JD

203KRR3

204-FREN

204RY2

Z9504-AB

Z9504-RST



TABLE OF CONTENTS

AGRICULTURAL BEARINGS - continued..... 123

Ball Bearings.....	123
Special Size	
204KRD4	
203KR3	
205PPB7	

ROLLER BEARINGS..... 124-132

Trailer Kits.....	126
K1000	
K1063	
K3500	

Tapered Roller Bearings.....	127-128
Metric Size	

Tapered Roller Bearings.....	129-130
Inch Size	

Tapered Roller Bearings.....	131-132
Inch Size - Sorted by Cone Part Number	

PLAIN BEARINGS..... 133-138

Spherical Plain Bearings.....	135-136
Metric Size	

Spherical Plain Bearings.....	137-138
Inch Size	

CORROSION RESISTANT PRODUCTS..... 139-160

Stainless Steel Mounted Units	
SSUCF 200 Series.....	142
SSUCFB 200 Series.....	143
SSUCFL 200 Series.....	144
SSUCP 200 Series.....	145
SSUCPA 200 Series.....	146
SSUCT 200 Series.....	147



TABLE OF CONTENTS

CORROSION RESISTANT PRODUCTS - continued..... 148-160

Thermoplastic Mounted Units

SSUCTPF 200 Series.....	148
SSUCTPFB 200 Series.....	149
SSUCTPFL 200 Series.....	150
SSUCTPP 200 Series.....	151
SSUCTPT 200 Series.....	152
SSUCTPTB 200 Series.....	153

Stainless Steel Insert Bearings

Corrosion Resistant 440C Stainless Steel

SSUC Set Screw Locking.....	154
SSSB Set Screw Locking.....	155

Triple-Lip Seal Insert Bearings

Corrosion Resistant Black Oxide (R3BO)

UC R3BO Set Screw Locking.....	157
HC R3BO Eccentric Collar Lock.....	158

Stainless Steel Radial Ball Bearings

Corrosion Resistant 440C Stainless Steel

Metric.....	159
R Series.....	160
16 Series.....	160

PROCESS SOLUTIONS..... 161-164

K-Poly Solid Lube.....	164
------------------------	-----

ENGINEERING..... 165-188

Warnings and Cautions.....	166-170
Bearing Internal Clearance.....	171
Bearing Tolerance.....	172-175
Allowable Critical-Value of Bearing Chamfer.....	176-177

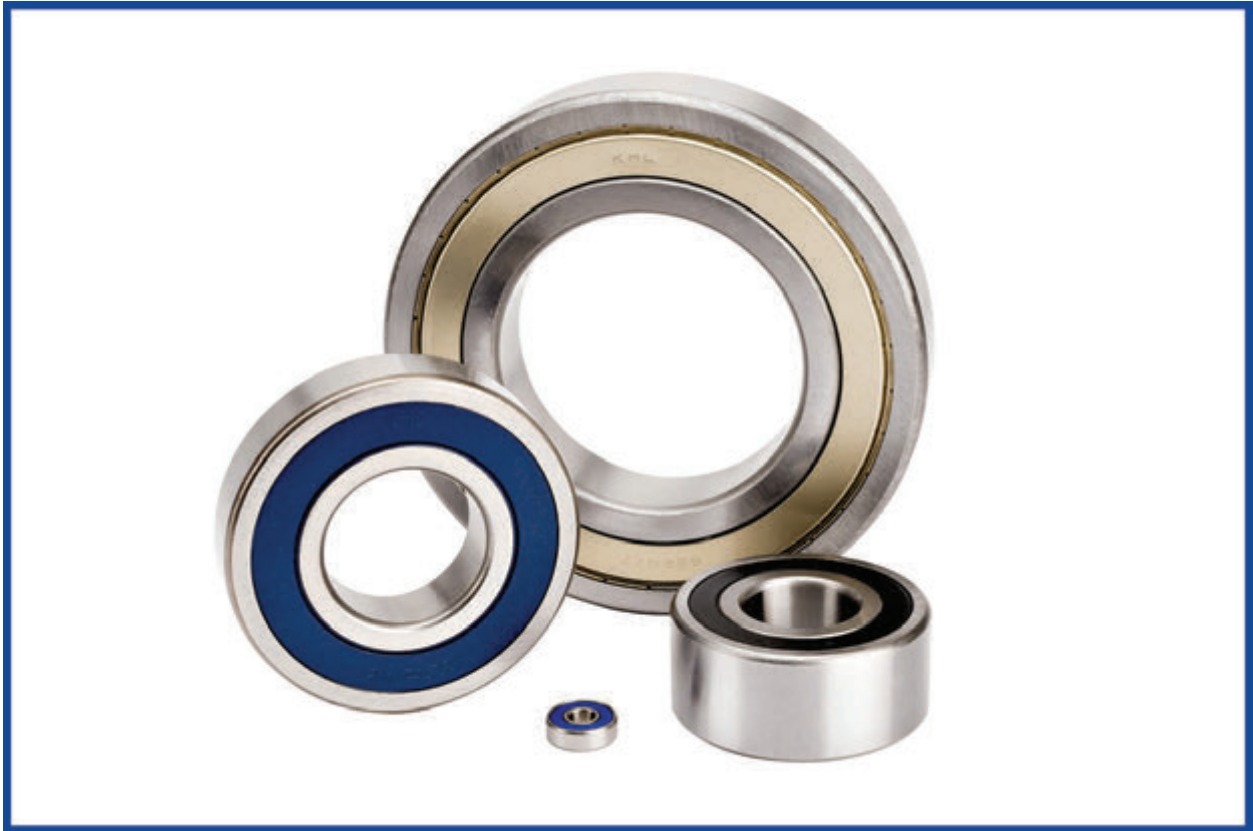


TABLE OF CONTENTS

ENGINEERING - continued.....	178-188
Snap Ring Groove On Outer Ring.....	178
Snap Ring for Bearing With Snap Ring Groove	179
On Outer Ring	
Tolerances for Spherical Plain Bearings.....	180
Tolerances of Ball Bearings for Mounted Units.....	181
Cylindrical Bore (UC, SER, SB, CSB, HC, SA, CSA) Outer Ring	
Tolerance of Housings	
Spherical Bore Diameter of Housings	182
Pillow Block Housings (PE, PA, TB, AK)	
Flange Unit Housings.....	183
(F, FS, FC, FCS, FL, FT, FD, LF)	
Flange Unit Housings.....	184
(FB, FK, FA)	
Take-Up Unit Housings (T)	
Cartridge Unit Housings (C)	
Maximum Permissible Speed of Rotation.....	185
Limiting Speed of Bearing Units	
Material of Bearing Rings and Balls.....	186
Lubricants – Grease Specifications	
Equivalence.....	187
Multi Conversion Tables Conversion Inch/mm	
Inch - Millimeter Conversion Complete Table.....	188
INTERCHANGE.....	189-200



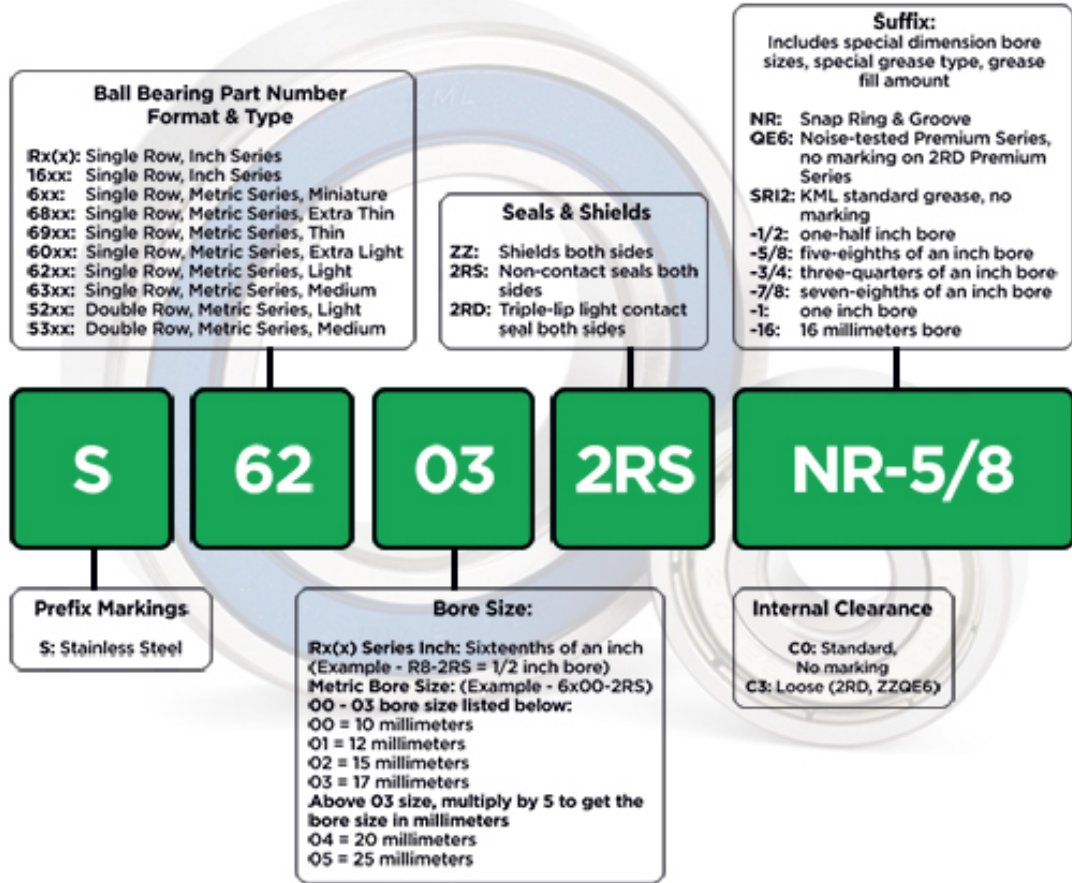
BALL BEARINGS





Deep Groove Ball Bearings

KML's Deep Groove Ball Bearing Part Numbering System is a series of formats that in combination identify a specific part number. These formats identify the ball bearings type, series, bore size, seals or shields, internal clearance and additional part-specific information.



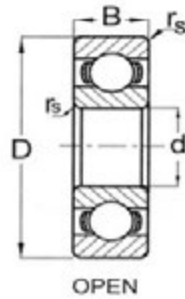


BALL BEARINGS

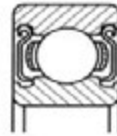


DEEP GROOVE BALL BEARINGS

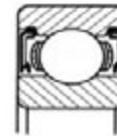
Metric Size Bearing
6800, 6000,
6200, 6300 Series



NR
with snap ring



ZZ
with double
shields



2RS
with double
non contact seals



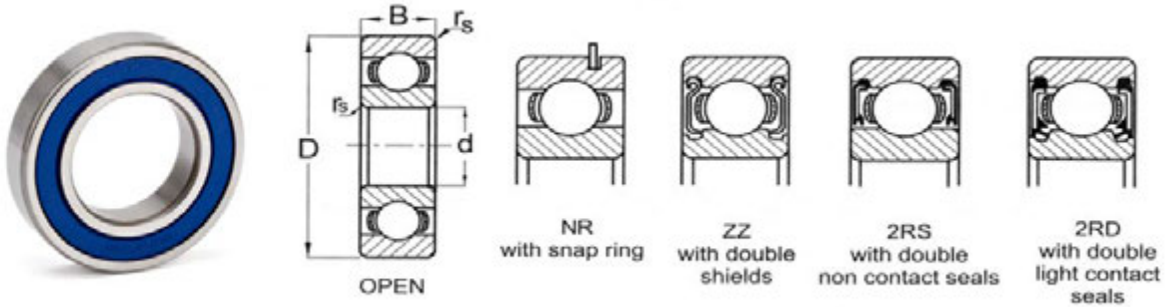
2RD
with double
light contact
seals

Boundary dimensions (mm)				Basic load ratings (N)		Limiting speeds RPM		Mass (kg) open type	Bearing No.	
d	D	B	rs min	dynamic (Cr)	static (Cor)	Grease (ZZ, 2RS)	oil open		Shields	Seals
10	19	5	0.3	1 830	925	32 000	38 000	0.005	6800-ZZ	6800-2RS
	22	6	0.3	2 700	1 270	30 000	36 000	0.009	6900-ZZ	6900-2RS
	26	8	0.3	4 550	1 960	29 000	34 000	0.019	6000-ZZ	6000-2RS
	30	9	0.6	5 100	2 390	25 000	30 000	0.032	6200-ZZ	6200-2RS
	35	11	0.6	5 200	3 500	23 000	27 000	0.058	6300-ZZ	6300-2RS
12	21	5	0.3	1 920	1 040	29 000	35 000	0.006	6801-ZZ	6801-2RS
	24	6	0.3	2 890	1 460	27 000	32 000	0.011	6901-ZZ	6901-2RS
	28	8	0.3	5 100	2 390	26 000	30 000	0.021	6001-ZZ	6001-2RS
	32	10	0.6	6 100	2 750	22 000	26 000	0.037	6201-ZZ	6201-2RS
	37	12	1.0	9 700	4 200	20 000	24 000	0.060	6301-ZZ	6301-2RS
15	24	5	0.3	2 080	1 260	26 000	31 000	0.007	6802-ZZ	6802-2RS
	28	7	0.3	4 100	2 060	24 000	28 000	0.016	6902-ZZ	6902-2RS
	32	9	0.3	5 600	2 840	22 000	26 000	0.030	6002-ZZ	6002-2RS
	35	11	0.6	7 750	2 600	19 000	23 000	0.045	6202-ZZ	6202-2RS
	42	13	1.0	11 400	5 450	17 000	21 000	0.082	6302-ZZ	6302-2RS
17	26	5	0.3	2 810	1 720	24 000	28 000	0.008	6803-ZZ	6803-2RS
	30	7	0.3	4 650	2 580	22 000	26 000	0.018	6903-ZZ	6903-2RS
	35	10	0.3	6 800	3 350	20 000	24 000	0.039	6003-ZZ	6003-2RS
	40	12	0.3	9 600	4 600	18 000	21 000	0.068	6203-ZZ	6203-2RS
	47	14	1.0	13 500	6 550	16 000	19 000	0.115	6303-ZZ	6303-2RS
20	32	7	0.3	4 000	2 470	21 000	25 000	0.019	6804-ZZ	6804-2RS
	37	9	0.3	6 400	3 700	19 000	23 000	0.038	6904-ZZ	6904-2RS
	42	12	0.6	9 400	5 050	18 000	21 000	0.069	6004-ZZ	6004-2RS
	47	14	1.0	12 800	6 650	16 000	18 000	0.106	6204-ZZ	6204-2RS
	52	15	1.1	15 900	7 900	14 000	17 000	0.144	6304-ZZ	6304-2RS
22	44	12	0.6	9 400	5 150	17 000	20 000	0.074	60/22-ZZ	60/22-2RS
	50	14	1.0	12 900	6 800	14 000	17 000	0.117	62/22-ZZ	62/22-2RS
	56	16	1.1	18 400	9 250	13 000	15 000	0.176	63/22-ZZ	63/22-2RS
25	37	7	0.3	4 300	2 950	18 000	21 000	0.022	6805-ZZ	6805-2RS
	42	9	0.3	7 050	4 550	16 000	19 000	0.042	6905-ZZ	6905-2RS
	47	12	0.6	10 400	5 850	15 000	18 000	0.080	6005-ZZ	6005-2RS
	52	15	1.0	14 000	7 850	13 000	15 000	0.128	6205-ZZ	6205-2RS
	62	17	1.1	21 200	10 900	12 000	14 000	0.232	6305-ZZ	6305-2RS
28	52	12	0.6	12 500	7 400	14 000	16 000	0.098	60/28-ZZ	60/28-2RS
	58	16	1.0	17 900	9 700	12 000	14 000	0.171	62/28-ZZ	62/28-2RS
	68	18	1.1	26 700	14 000	11 000	13 000	0.280	63/28-ZZ	63/28-2RS
30	42	7	0.3	4 700	3 650	15 000	18 000	0.026	6806-ZZ	6806-2RS
	47	9	0.3	7 250	5 000	14 000	17 000	0.046	6906-ZZ	6906-2RS
	55	13	1.0	13 200	8 300	13 000	15 000	0.116	6006-ZZ	6006-2RS
	62	16	1.0	19 500	11 300	11 000	13 000	0.200	6206-ZZ	6206-2RS
	72	19	1.1	26 700	15 000	10 000	12 000	0.360	6306-ZZ	6306-2RS
32	58	12	1.0	15 100	9 150	12 000	15 000	0.129	60/32-ZZ	60/32-2RS
	65	17	1.0	20 700	11 600	11 000	12 000	0.226	62/32-ZZ	62/32-2RS
	75	20	1.1	29 800	16 900	9 500	11 000	0.380	63/32-ZZ	63/32-2RS



DEEP GROOVE BALL BEARINGS

Metric Size Bearing
6800, 6000,
6200, 6300 Series



Boundary dimensions (mm)				Basic load ratings (N)		Limiting speeds RPM		Mass (kg) open type	Bearing No.	
d	D	B	rs min	dynamic (Cr)	static (Cor)	Grease (ZZ, 2RS)	oil open		Shields	Seals
35	47	7	0.3	4 900	4 050	13 000	16 000	0.029	6807-ZZ	6807-2RS
	55	10	0.6	11 200	7 450	12 000	15 000	0.074	6907-ZZ	6907-2RS
	62	14	1.0	16 000	10 300	12 000	14 000	0.155	6007-ZZ	6007-2RS
	72	17	1.1	25 700	15 300	9 800	11 000	0.290	6207-ZZ	6207-2RS
	80	21	1.5	33 500	19 100	8 800	10 000	0.460	6307-ZZ	6307-2RS
40	52	7	0.3	5 100	4 400	12 000	14 000	0.033	6808-ZZ	6808-2RS
	62	12	0.6	14 600	10 200	11 000	13 000	0.110	6908-ZZ	6908-2RS
	68	15	1.0	16 800	11 500	10 000	12 000	0.190	6008-ZZ	6008-2RS
	80	18	1.1	29 100	17 800	8 700	10 000	0.370	6208-ZZ	6208-2RS
	90	23	1.5	40 500	24 000	7 800	9 200	0.630	6308-ZZ	6308-2RS
45	58	7	0.3	6 400	5 650	11 000	12 000	0.040	6809-ZZ	6809-2RS
	68	12	0.6	15 100	11 200	9 800	12 000	0.128	6909-ZZ	6909-2RS
	75	16	1.0	21 000	15 100	9 200	11 000	0.240	6009-ZZ	6009-2RS
	85	19	1.1	32 500	20 400	7 800	9 200	0.400	6209-ZZ	6209-2RS
	100	25	1.5	53 000	32 000	7 000	8 200	0.810	6309-ZZ	6309-2RS
50	65	7	0.3	6 600	6 100	9 600	11 000	0.050	6810-ZZ	6810-2RS
	72	12	0.6	15 600	12 200	8 900	11 000	0.130	6910-ZZ	6910-2RS
	80	16	1.0	21 800	16 600	8 400	9 800	0.260	6010-ZZ	6010-2RS
	90	20	1.1	35 000	23 200	7 100	8 300	0.450	6210-ZZ	6210-2RS
	110	27	2.0	62 000	38 500	6 400	7 500	1.070	6310-ZZ	6310-2RS
55	90	18	1.1	28 300	21 200	7 700	9 000	0.390	6011-ZZ	6011-2RS
	100	21	1.5	43 500	29 200	6 400	7 600	0.600	6211-ZZ	6211-2RS
	120	29	2.0	71 500	4 500	5 800	6 800	1.370	6311-ZZ	6311-2RS
60	95	18	0.0	29 500	23 200	7 000	8 300	0.000	6012-ZZ	6012-2RS
	110	22	1.5	52 500	36 000	6 000	7 000	0.000	6212-ZZ	6212-2RS
	130	31	0.0	82 000	52 000	5 400	6 300	0.000	6312-ZZ	6312-2RS
65	100	18	0.0	30 500	25 200	6 500	7 700	0.000	6013-ZZ	6013-2RS
	120	23	1.5	57 500	40 000	5 500	6 500	0.000	6213-ZZ	6213-2RS
	140	33	0.0	92 500	60 000	4 900	5 800	0.000	6313-ZZ	6313-2RS
70	110	20	0.0	38 000	31 000	6 100	7 100	0.000	6014-ZZ	6014-2RS
	125	24	1.5	62 000	44 000	5 100	6 000	0.000	6214-ZZ	6214-2RS
	150	35	0.0	10 400	68 000	4 600	5 400	0.000	6314-ZZ	6314-2RS
75	115	20	0.0	39 500	33 500	5 700	6 700	0.000	6015-ZZ	6015-2RS
	130	25	1.5	66 000	48 500	4 800	5 600	0.000	6215-ZZ	6215-2RS
	160	37	0.0	113 000	77 000	4 300	5 000	3.000	6315-ZZ	6315-2RS
80	125	22	0.0	47 500	40 000	5 300	6 200	0.000	6016-ZZ	6016-2RS
	140	26	2.0	72 500	53 000	4 500	5 300	0.000	6216-ZZ	6216-2RS
	170	39	0.0	123 000	86 500	4 000	4 700	0.000	6316-ZZ	6316-2RS

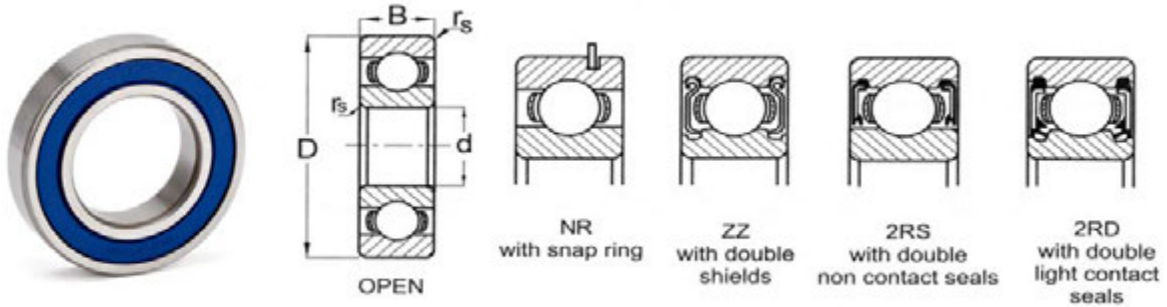


BALL BEARINGS



DEEP GROOVE BALL BEARINGS

Metric Size Bearing
6800, 6000,
6200, 6300 Series



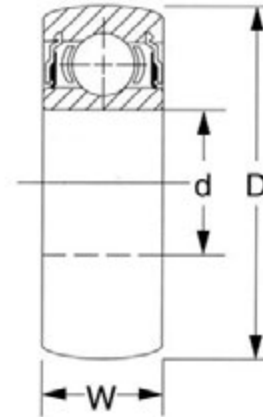
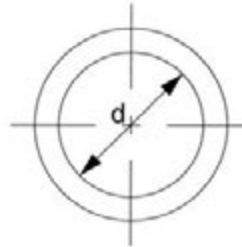
Boundary dimensions (mm)				Basic load ratings (N)		Limiting speeds RPM		Mass (kg) open type	Bearing No.	
d	D	B	rs min	dynamic (Cr)	static (Cor)	Grease (ZZ, 2RS)	oil open		Shields	Seals
85	130	22	0.0	49 500	43 000	5 000	5 900	0.000	6017-ZZ	6017-2RS
	150	28	2.0	83 500	64 000	4 200	5 000	0.000	6217-ZZ	6217-2RS
	180	41	3.0	133 000	97 000	3 800	4 500	0.000	6317-ZZ	6317-2RS
90	140	24	1.5	58 000	49 500	4 700	5 600	0.000	6018-ZZ	6018-2RS
	160	30	2.0	96 000	71 500	4 000	4 700	0.000	6218-ZZ	6218-2RS
95	145	24	1.5	60 500	54 000	4 500	5 300	0.000	6019-ZZ	6019-2RS
	170	32	0.0	109 000	82 000	3 700	4 400	0.000	6219-ZZ	6219-2RS
100	150	24	1.5	60 000	54 000	4 200	5 000	0.000	6020-ZZ	6020-2RS
	180	34	0.0	122 000	93 000	3 500	4 200	0.000	6220-ZZ	6220-2RS
105	160	26	2.0	72 500	65 500	4 000	4 700	0.000	6021-ZZ	6021-2RS
110	170	28	2.0	82 000	73 000	3 800	4 500	1.960	6022-ZZ	6022-2RS



BALL BEARINGS



CS 200 Series Spherical O.D. Ball Bearings



Unit Number	d		D		W		Load Ratings Lbf / N		Weight Lbs kg
	nominal In. mm	Tol. +0/ to minus In. mm	nominal In. mm	Tol. +0/ to minus In. mm	nominal In. mm	Tol. +0/ to minus In. mm	Dynamic	Static	
CS 202 DDU	0.5906 15.000	0.0003 0.008	1.3780 35.000	0.0005 0.013	0.4331 11.000	0.0050 0.127	1730 7690	850 3780	0.10 0.045
CS 203 DDU	0.6693 17.000	0.0003 0.008	1.5748 40.000	0.0005 0.013	0.4724 12.000	0.0050 0.127	2160 9600	1000 4440	0.14 0.064
CS 204 DDU	0.7874 20.000	0.0004 0.010	1.8504 47.000	0.0005 0.013	0.5512 14.000	0.005 0.127	2900 12890	1410 6270	0.23 0.105
CS 205 DDU	0.9843 25.000	0.0004 0.010	2.0472 52.000	0.0005 0.013	0.5906 15.000	0.005 0.127	3150 14000	1610 7160	0.28 0.127
CS 206 DDU	1.1811 30.000	0.0004 0.010	2.4409 62.000	0.0005 0.013	0.6299 16.000	0.005 0.127	4370 19420	2320 10310	0.43 0.195
CS 207 DDU	1.3780 35.000	0.0005 0.013	2.8346 72.000	0.0005 0.013	0.6693 17.000	0.005 0.127	5770 25640	3150 14000	0.64 0.291
CS 208 DDU	1.5748 40.000	0.0005 0.013	3.1496 80.000	0.0005 0.013	0.7087 18.000	0.005 0.127	7340 32620	3650 16220	0.82 0.373
CS 209 DDU	1.7717 45.000	0.0005 0.013	3.3465 85.000	0.0006 0.015	0.7480 19.000	0.005 0.127	7350 32670	4150 18440	0.90 0.409
CS 210 DDU	1.9685 50.000	0.0005 0.013	3.5433 90.000	0.0006 0.015	0.7874 20.000	0.005 0.127	7880 35020	4650 20670	1.01 0.459
CS 305 DDU	0.9843 25.000	0.0004 0.010	2.4409 62.000	0.0005 0.013	0.6693 17.000	0.005 0.127	5000 22220	2600 11560	0.52 0.236
CS 306 DDU	1.1811 30.000	0.0004 0.010	2.8246 72.000	0.0005 0.013	0.7480 19.000	0.005 0.127	6550 29110	3650 16220	0.75 0.355
CS 307 DDU	1.3780 35.000	0.0005 0.013	3.1496 80.000	0.0005 0.013	0.8268 21.000	0.005 0.127	7500 33330	4300 19110	1.02 0.464
CS 308 DDU	1.5748 40.000	0.0005 0.013	3.5433 90.000	0.0006 0.015	0.9055 23.000	0.005 0.127	9650 42890	5600 24890	1.41 0.641
CS 309 DDU	1.7717 45.000	0.0005 0.013	3.9370 100.000	0.0006 0.015	0.9843 25.000	0.005 0.127	12000 53330	7100 31560	1.89 0.859
CS 310 DDU	1.9685 50.000	0.0005 0.013	4.3307 110.000	0.0006 0.015	1.0630 27.000	0.005 0.127	14000 62220	8500 37780	2.45 1.114

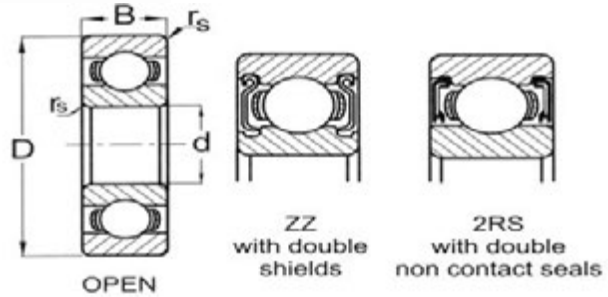


BALL BEARINGS



DEEP GROOVE BALL BEARINGS

Inch Size
R Series



d		D		B		r smin		Mass (kg) open type	Bearing No.	
In.	mm	In.	mm	Shield/Seal		In.	mm		Shields	Seals
				In.	mm					
1/8	3.175	3/8	9.525	0.1543	3.92	0.012	0.30	0.0015	R2-ZZ	R2-2RS
1/8	3.175	1/2	12.700	0.1720	4.37	0.012	0.30	0.0032	R2A-ZZ	R2A-2RS
3/16	4.763	1/2	12.700	0.1961	4.98	0.012	0.30	0.0023	R3-ZZ	R3-2RS
3/16	4.763	5/8	15.875	0.1961	4.98	0.012	0.30	0.0027	R3A-ZZ	R3A-2RS
1/4	6.350	5/8	15.875	0.1961	4.98	0.012	0.30	0.0045	R4-ZZ	R4-2RS
1/4	6.350	3/4	19.050	0.2811	7.14	0.016	0.40	0.0077	R4A-ZZ	R4A-2RS
3/8	9.525	7/8	22.225	0.2811	7.14	0.016	0.40	0.011	R6-ZZ	R6-2RS
1/2	12.700	1-1/8	28.575	0.3126	7.94	0.016	0.40	0.018	R8-ZZ	R8-2RS
5/8	15.875	1-3/8	34.925	0.3437	8.73	0.031	0.80	0.037	R10-ZZ	R10-2RS
3/4	19.050	1-5/8	41.275	0.4374	11.11	0.031	0.80	0.047	R12-ZZ	R12-2RS
7/8	22.225	1-7/8	47.625	0.5000	12.70	0.031	0.80	0.071	R14-ZZ	R14-2RS
1	25.400	2	50.800	0.5000	12.70	0.031	0.80	0.085	R16-ZZ	R16-2RS
1-1/8	28.575	2-1/8	53.975	0.5000	12.70	0.031	0.80	0.090	R18-ZZ	R18-2RS
1-1/4	31.750	2-1/4	57.150	0.5000	12.70	0.031	0.80	0.095	R20-ZZ	R20-2RS
1-3/8	34.925	2-1/2	63.500	0.5626	14.29	0.031	0.80	0.106	R22-ZZ	R22-2RS
1-1/2	38.100	2-5/8	66.675	0.5626	14.29	0.031	0.80	0.141	R24-ZZ	R24-2RS

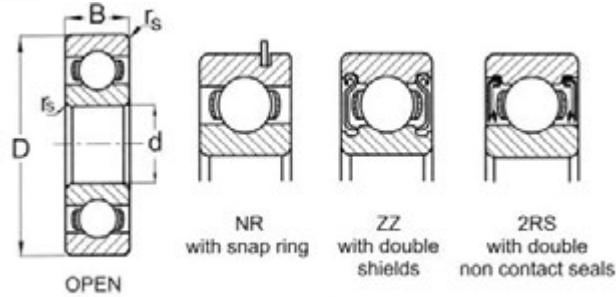


BALL BEARINGS



DEEP GROOVE BALL BEARINGS

Inch Size
16 Series

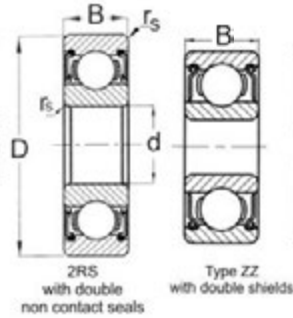


Boundary Dimensions								Basic load ratings (N)		Mass (kg) open type	Bearing No.	
d		D		B		r smin		dynamic Cr	static Cor		Shields	Seals
In.	mm	In.	mm	In.	mm	In.	mm					
3/16	4.762	11/16	17.462	5/16	6.350	0.012	0.3	1 510	720	0.007	1601-ZZ	1601-2RS
1/4	6.350	11/16	17.462	5/16	6.350	0.012	0.3	1 510	720	0.006	1602-ZZ	1602-2RS
5/16	7.938	7/8	22.225	11/32	7.144	0.012	0.3	2 540	1 340	0.010	1603-ZZ	1603-2RS
3/8	9.525	7/8	22.225	11/32	7.144	0.015	0.4	2 540	1 340	0.015	1604-ZZ	1604-2RS
5/16	7.938	29/32	23.019	5/16	7.938	0.012	0.3	2 540	1 340	0.012	1605-ZZ	1605-2RS
3/8	9.525	29/32	23.019	5/16	7.938	0.015	0.4	2 540	1 340	0.014	1606-ZZ	1606-2RS
7/16	11.112	29/32	23.019	5/16	7.938	0.015	0.4	3 550	1 930	0.016	1607-ZZ	1607-2RS
3/8	9.525	1-1/8	28.575	3/8	9.525	0.025	0.6	3 920	2 240	0.035	1614-ZZ	1614-2RS
7/16	11.112	1-1/8	28.575	3/8	9.525	0.025	0.6	3 920	2 240	0.032	1615-ZZ	1615-2RS
1/2	12.700	1-1/8	28.575	3/8	9.525	0.025	0.6	3 920	2 240	0.030	1616-ZZ	1616-2RS
7/16	11.112	1-3/8	34.925	7/16	11.112	0.025	0.6	5 880	3 470	0.050	1620-ZZ	1620-2RS
1/2	12.700	1-3/8	34.925	7/16	11.112	0.025	0.6	5 880	3 470	0.048	K11621-ZZ	K11621-2RS
9/16	14.288	1-3/8	34.925	7/16	11.112	0.025	0.6	5 880	3 470	0.046	1622-ZZ	1622-2RS
5/8	15.875	1-3/8	34.925	7/16	11.112	0.025	0.6	5 880	3 470	0.040	1623-ZZ	1623-2RS
5/8	15.875	1-5/8	41.275	1/2	12.700	0.025	0.6	7 230	4 440	0.072	1628-ZZ	1628-2RS
3/4	19.050	1-5/8	41.275	1/2	12.700	0.025	0.6	7 230	4 440	0.065	K11630-ZZ	K11630-2RS
5/8	15.875	1-3/4	44.450	1/2	12.700	0.025	0.6	7 230	4 440	0.090	1633-ZZ	1633-2RS
3/4	19.050	1-3/4	44.450	1/2	12.700	0.025	0.6	7 230	4 440	0.085	K11635-ZZ	K11635-2RS
3/4	19.050	2	50.800	9/16	14.288	0.035	0.9	10 780	6 940	0.120	1638-ZZ	1638-2RS
7/8	22.225	2	50.800	9/16	14.288	0.035	0.9	10 780	6 940	0.110	1640-ZZ	1640-2RS
1	25.400	2	50.800	9/16	14.288	0.035	0.9	10 780	6 940	0.100	K11641-ZZ	K11641-2RS
1-1/8	28.575	2-1/2	63.500	5/8	15.875	0.035	0.9	12 800	8 400	0.210	1652-ZZ	1652-2RS
1-1/4	31.750	2-1/2	63.500	5/8	15.875	0.035	0.9	12 800	8 400	0.190	1654-ZZ	1654-2RS
1-1/4	31.750	2-9/16	65.088	11/16	17.462	0.035	0.9	14 970	10 000	0.220	1657-ZZ	1657-2RS
1-5/16	33.338	2-9/16	65.088	11/16	17.462	0.035	0.9	14 970	10 000	0.200	1658-ZZ	1658-2RS



DEEP GROOVE BALL BEARINGS

Miniature Ball Bearings
68, 69, 60, 62, 63 Series

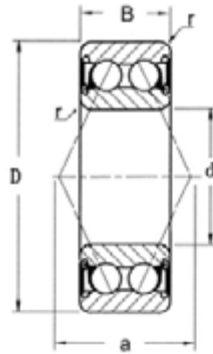


Boundary dimensions (mm)				Basic load ratings N		Limiting speeds RPM		Mass (g) open type	Bearing No.	
d	D	B	R min	dynamic C _r	static C _{0r}	Grease	Oil		Shields	Seals
3	7	2	0.1	390	130	58 000	68 000	0.33	683-ZZ	683-2RS
	8	3	0.15	560	180	54 000	63 000	0.61	693-ZZ	693-2RS
	10	4	0.15	640	224	50 000	58 000	1.60	623-ZZ	623-2RS
4	9	2.5	0.1	640	224	48 000	57 000	0.67	684-ZZ	684-2RS
	11	4	0.15	715	276	45 000	52 000	1.80	694-ZZ	694-2RS
	13	5	0.2	1 310	490	42 000	49 000	3.20	624-ZZ	624-2RS
	16	5	0.3	1 760	680	37 000	44 000	5.10	634-ZZ	634-2RS
5	11	3	0.15	725	282	43 000	51 000	1.10	685-ZZ	685-2RS
	13	4	0.2	1 080	430	40 000	47 000	2.40	695-ZZ	695-2RS
	16	5	0.3	1 760	680	37 000	44 000	4.80	625-ZZ	625-2RS
	19	6	0.3	2 340	885	34 000	40 000	8.00	635-ZZ	635-2RS
6	13	3.5	0.15	1 080	440	39 000	46 000	1.90	686-ZZ	686-2RS
	15	5	0.2	1 350	530	37 000	44 000	3.80	696-ZZ	696-2RS
	17	6	0.3	2 190	865	35 000	42 000	6.00	606-ZZ	606-2RS
	19	6	0.3	2 340	865	34 000	40 000	8.10	626-ZZ	626-2RS
7	14	3.5	0.15	1 170	510	37 000	44 000	2.10	687-ZZ	687-2RS
	17	5	0.3	1 610	715	35 000	41 000	5.20	697-ZZ	697-2RS
	19	6	0.3	2 240	910	34 000	40 000	8.00	607-ZZ	607-2RS
	22	7	0.3	3 350	1 400	32 000	37 000	13.00	627-ZZ	627-2RS
8	16	5	0.2	1 260	585	35 000	41 000	3.10	688-ZZ	688-2RS
	19	6	0.3	1 990	865	33 000	39 000	7.30	698-ZZ	698-2RS
	22	7	0.3	3 350	1 400	32 000	37 000	12.00	608-ZZ	608-2RS
	24	8	0.3	4 000	1 590	31 000	36 000	17.00	628-ZZ	628-2RS
9	17	4	0.2	1 720	820	33 000	39 000	3.20	689-ZZ	689-2RS
	20	6	0.3	2 480	1 090	32 000	38 000	8.20	699-ZZ	699-2RS
	24	7	0.3	3 400	1 450	31 000	36 000	14.00	609-ZZ	609-2RS
	26	8	0.3	4 550	1 960	30 000	35 000	20.00	629-ZZ	629-2RS

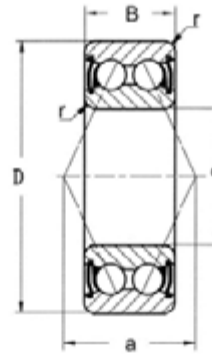


ANGULAR CONTACT BALL BEARINGS

Double Row
5200, 5300 Series



Type 2RS
with two seals
(non-contact)



Type ZZ
with two shields

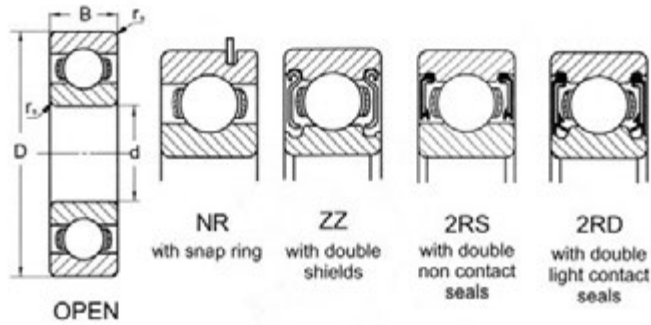
Boundary dimensions (mm)				Basic load ratings N		Limiting speeds RPM		Mass (kg) open type	Bearing No.	
d	D	B	r	dynamic Cr	static Cor	Grease	oil		Shields	Seals
10	30	14.3	0.6	6 950	3 800	14 000	19 000	0.049	5200-ZZ	5200-2RS
12	32	15.9	0.6	7 600	4 500	13 000	17 000	0.057	5201-ZZ	5201-2RS
15	35	15.9	0.6	8 200	5 250	11 000	15 000	0.064	5202-ZZ	5202-2RS
17	40	17.5	0.6	10 800	7 100	9 900	13 000	0.096	5203-ZZ	5203-2RS
	47	22.2	1	19 000	11 900	9 000	12 000	0.181	5303-ZZ	5303-2RS
20	47	20.6	1	15 800	10 100	8 800	12 000	0.153	5204-ZZ	5204-2RS
	52	22.2	1.1	19 100	12 400	8 000	11 000	0.217	5304-ZZ	5304-2RS
25	52	20.6	1	18 200	13 200	7 300	9 800	0.175	5205-ZZ	5205-2RS
	62	25.4	1.1	26 500	17 900	6 700	8 900	0.362	5305-ZZ	5305-2RS
30	62	23.8	1	26 100	19 700	6 300	8 400	0.286	5206-ZZ	5206-2RS
	72	30.2	1.1	33 000	24 300	5 700	7 600	0.553	5306-ZZ	5306-2RS
35	72	27	1.1	33 000	24 500	5 500	7 400	0.436	5207-ZZ	5207-2RS
	80	34.9	1.5	49 500	35 000	5 000	6 600	0.766	5307-ZZ	5307-2RS
40	80	30.2	1.1	40 500	32 000	4 900	6 600	0.59	5208-ZZ	5208-2RS
	90	36.5	1.5	55 000	40 000	4 400	5 900	1.01	5308-ZZ	5308-2RS
45	85	30.2	1.1	40 000	32 500	4 400	5 900	0.64	5209-ZZ	5209-2RS
	100	39.7	1.5	66 500	49 500	4 000	5 300	1.34	5309-ZZ	5309-2RS
50	90	30.2	1.1	39 000	35 000	4 000	5 300	0.689	5210-ZZ	5210-2RS
	110	44.4	2	79 000	60 500	3 600	4 800	1.81	5310-ZZ	5310-2RS



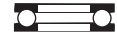
BALL BEARINGS



DEEP GROOVE BALL BEARINGS Special Dimension Bearings

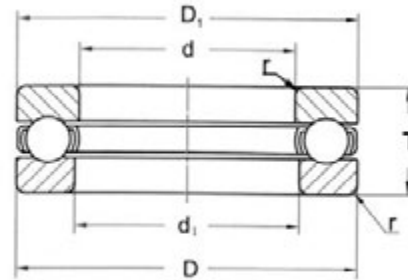


Special Dimension / Special Feature Bearings					
Boundary Dimensions (mm)			Dimension / Feature	Mass (kg)	Bearing Part Number
d	D	B			
12.7	32	10	1/2" bore diameter	0.036	6201-2RS-1/2
12.7	35	11	1/2" bore diameter	0.046	6202-2RS-1/2
15.875	35	11	5/8" bore diameter	0.044	6202-2RS-5/8
16	35	11	16mm bore diameter	0.043	6202-2RS-16
12.7	40	12	1/2" bore diameter	0.084	6203-2RS-1/2
15.875	40	12	5/8" bore diameter	0.074	6203-2RS-5/8
19.05	40	12	3/4" bore diameter	0.063	6203-2RS-3/4
19.05	47	14	3/4" bore diameter	0.107	6204-2RS-3/4
22.225	47	14	7/8" bore diameter	0.044	6204-2RS-7/8
25.4	52	15	1" bore diameter	0.127	6205-2RS-1
15	35	11	with snap ring		6202-2RSNR
15	35	11	5/8" bore, with snap ring		6202-2RSNR-5/8
15.875	34.925	11.1	5/8" bore, with snap ring, Gothic arch ball track	0.055	499502H
17	40	12	with snap ring		6203-2RSNR
20	47	14	with snap ring		6204-2RSNR
25	52	15	with snap ring		6205-2RSNR
30	62	16	with snap ring		6206-2RSNR
35	72	17	with snap ring		6207-2RSNR
15.875	34.925	11.1	5/8" bore, Gothic arch ball track	0.044	99502H
19.063	45.225	15.494	3/4" shaft fit, metal backed rubber seals	0.100	Z9504-AB
19.063	45.225	15.494	3/4" shaft fit, metal shroud trash seals	0.120	Z9504-RST



THRUST BALL BEARINGS

51100, 51200 Series



Boundary dimensions (mm)				Basic load ratings N		Limiting speeds RPM		Mass (kg)	Bearing No.
d	D	T	rs min	dynamic Cr	Static Cor	Grease	oil		
10	24	9	0.3	10 000	14 000	6 700	9 500	0.021	51100
	26	11	0.6	12 700	17 100	5 800	8 300	0.030	51200
12	26	9	0.3	10 300	15 400	6 400	9 200	0.023	51101
	28	11	0.6	13 200	19 000	5 600	8 000	0.034	51201
15	28	9	0.3	10 500	16 800	6 200	8 800	0.024	51102
	32	12	0.6	16 600	24 800	5 000	7 100	0.046	51202
17	30	9	0.3	10 800	18 200	6 000	8 500	0.026	51103
	35	12	0.6	17 200	27 300	4 800	6 200	0.054	51203
20	35	10	0.3	14 200	24 700	5 200	7 500	0.040	51104
	40	14	0.6	22 300	37 500	4 100	5 900	0.061	51204
25	42	11	0.6	19 600	37 000	4 600	6 500	0.060	51105
	47	15	0.6	27 800	50 500	3 700	5 300	0.111	51205
30	47	11	0.6	20 400	42 000	4 300	6 200	0.069	51106
	52	16	0.6	29 300	58 000	3 400	4 900	0.139	51206
35	52	12	0.6	20 400	44 500	3 900	5 600	0.085	51107
	62	18	1.0	39 000	78 000	2 900	4 200	0.215	51207
40	60	13	0.6	26 900	63 000	3 500	5 000	0.125	51108
	68	19	1.0	47 000	96 500	2 700	3 900	0.276	51208
45	65	14	0.6	27 000	69 000	3 200	4 600	0.148	51109
	73	20	1.0	48 000	105 000	2 600	3 700	0.317	51209
50	70	14	0.6	28 800	75 500	3 100	4 500	0.161	51110
	78	22	1.0	48 500	111 000	2 400	3 400	0.376	51210
55	78	16	0.6	35 000	93 000	2 800	4 000	0.226	51111
	90	25	1.0	69 500	159 000	2 100	3 000	0.606	51211
60	85	17	1.0	41 500	113 000	2 600	3 700	0.296	51112
	95	26	1.0	73 500	179 000	2 000	2 800	0.676	51212
65	90	18	1.0	41 500	117 000	2 400	3 500	0.338	51113
	100	27	1.0	75 000	189 000	1 900	2 700	0.767	51213
70	95	18	1.0	43 000	127 000	2 400	3 400	0.356	51114
	105	27	1.0	76 000	199 000	1 800	2 600	0.793	51214
75	100	19	1.0	44 500	136 000	2 200	3 200	0.399	51115
	110	27	1.0	77 500	209 000	1 800	2 600	0.874	51215
80	105	19	1.0	44 500	141 000	2 200	3 100	0.422	51116
	115	28	1.0	77 500	218 000	1 700	2 400	0.916	51216
85	110	19	1.0	46 000	150 000	2 100	3 000	0.444	51117
	125	31	1.1	78 500	264 000	1 600	2 200	1.250	51217
90	120	22	1.0	59 500	190 000	1 900	2 700	0.687	51118
	135	35	1.1	117 000	325 000	1 400	2 000	1.700	51218
100	135	25	1.0	85 000	268 000	1 700	2 400	0.987	51120
110	145	25	1.0	84 000	288 000	1 600	2 300	1.070	51122





Housing Type of Mounted Bearing Units

Pillow Block	Normal Height with Reinforced Ears	UCPE SBPE HCPE SAPE		
	Low Base	UCAK SBAK HCAK SAAK		
	Tap Base	UCTB UCPA	HCTB HCPA	
	Pressed Steel	UCPP SBPP SAPP		SBRPP SARPP
Flange Type	4-Bolt Square Flange	UCF SBF HCFS SAF		
	4-Bolt Round Flange with Spigot Joint	HCFC UCFCS HCFC		
	2-Bolt Rhombic Flange	UCFL UCFT SBFL	HCFT SAFL SAFT	SBLF SALF
	3-Bolt Triangle Flange	SBRFT SARFT		
	Offset Flange	UCFB UCFK		UCFA
	Pressed Steel	UCPF SBPF SAPF		UCPFL SBPFL SAPFL SBPFT SAPFT
Hanger Type	UCHA			
Cylindrical Cartridge	UCC			
Take-up Type	UCST UCT	HCST HCT		
Rubber Cartridge	RCSM RCR	SBR SAR		

Insert Bearings for Mounted Units

Insert Bearings	SER	SB	HC	CSA
	UC	CSB	SA	



PE 200 SERIES

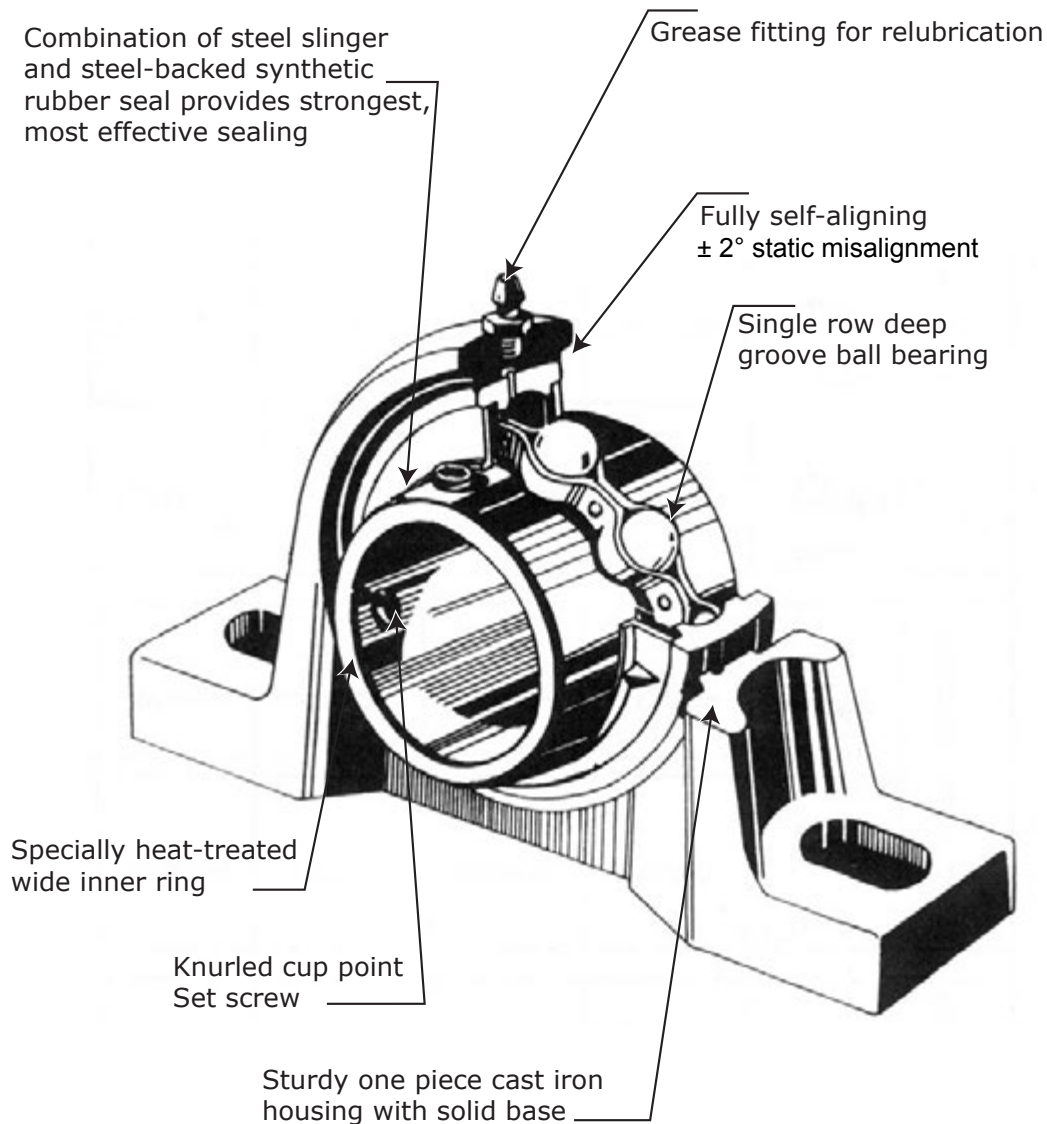
KML Mounted bearing units, consist of a single row deep groove ball bearing and cast iron, malleable cast, synthetic rubber or pressed steel housings of various configurations.

The self-contained bearing with spherical ground outside diameter is assembled into a corresponding spherical seat of the housing, providing full self-alignment of the bearing in the housing at mounting.

Set screw locking, shown in the sectional view below, is the popular method of mounting to the shaft. Adapter sleeves and eccentric locking are also available.

For set screw locking types, the inner ring of the self-contained bearing is hardened in the raceway and surrounding part where hardening is necessary, while the extended part where the set screws are installed is left metallurgically mild and tenacious.

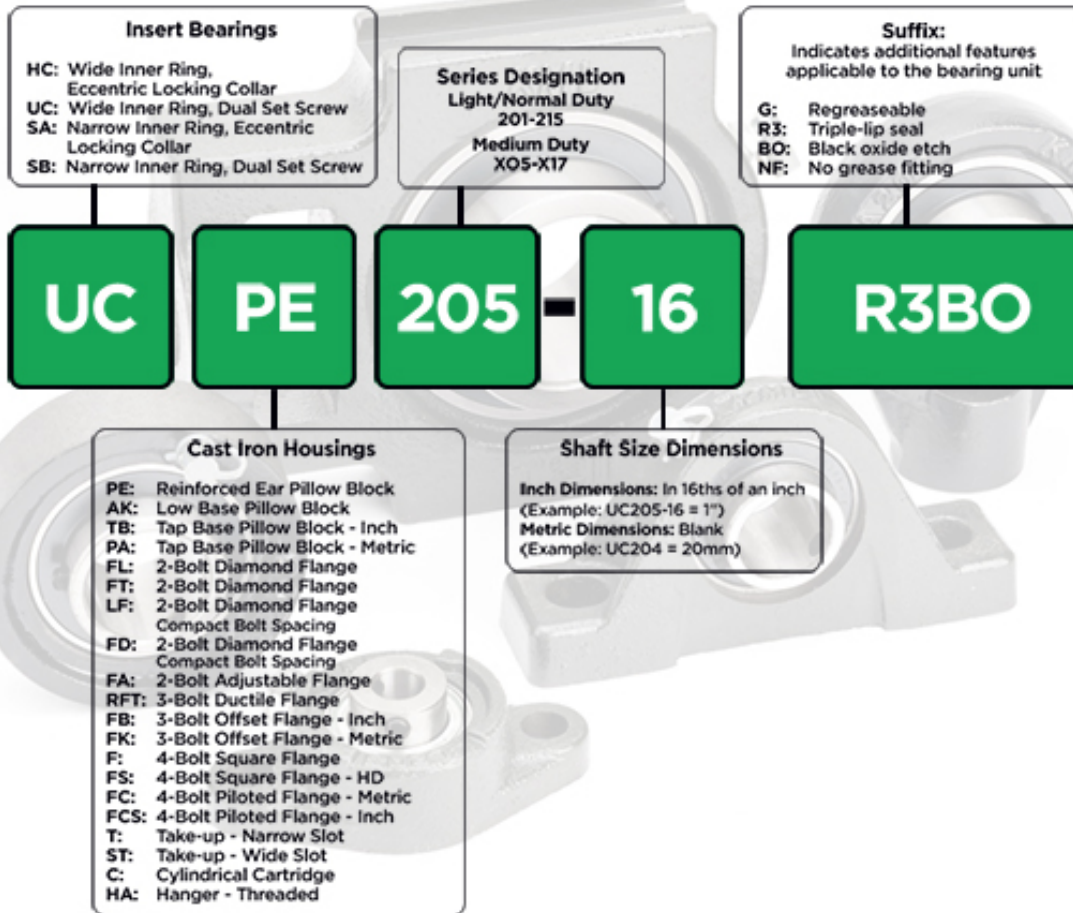
This special heat treatment ensures full bearing performance and prevents the set screw from loosening during operation, for the set screws can be tightened as directed without causing destructive inner ring cracking.





Mounted Bearing Units

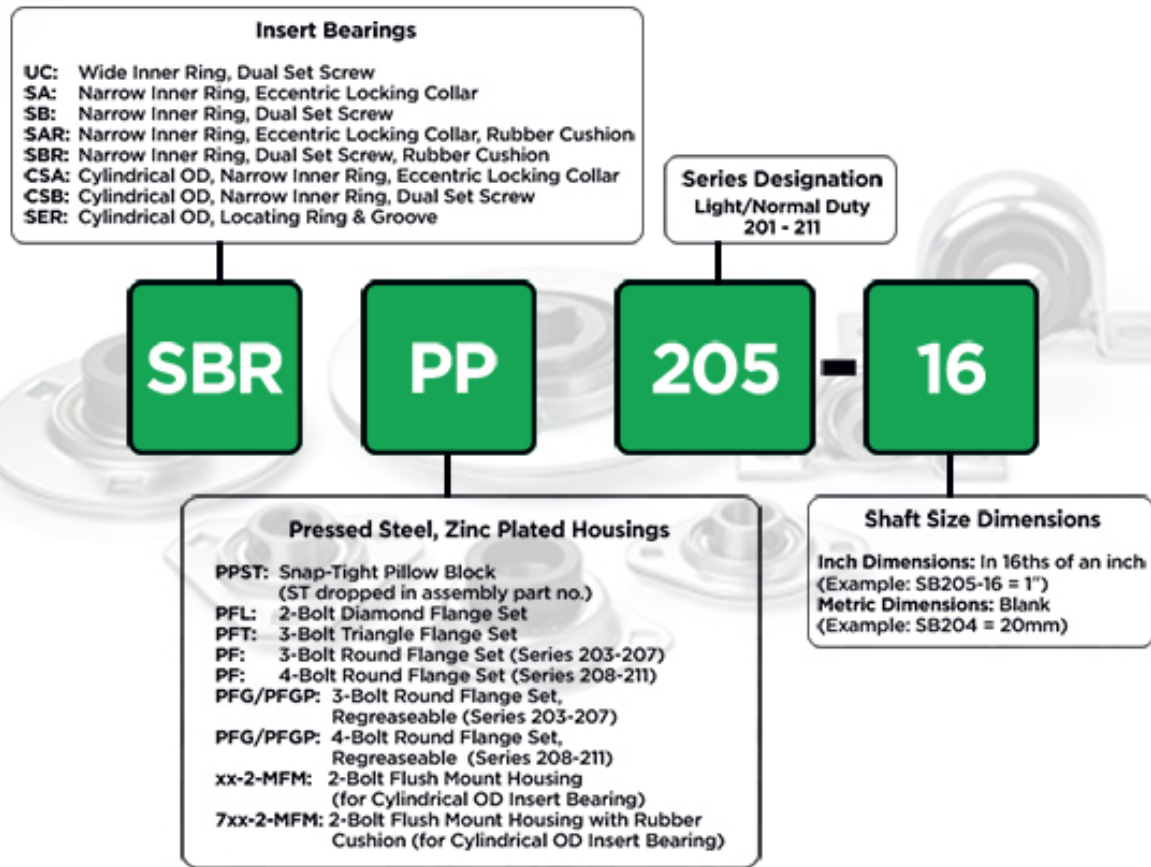
KML's Mounted Bearing Unit Part Numbering System is a series of formats that in combination identify a specific part number. These formats identify the mounted bearing units type, series, housing style, shaft size and additional part-specific information.





Pressed Steel Mounted Bearing Units

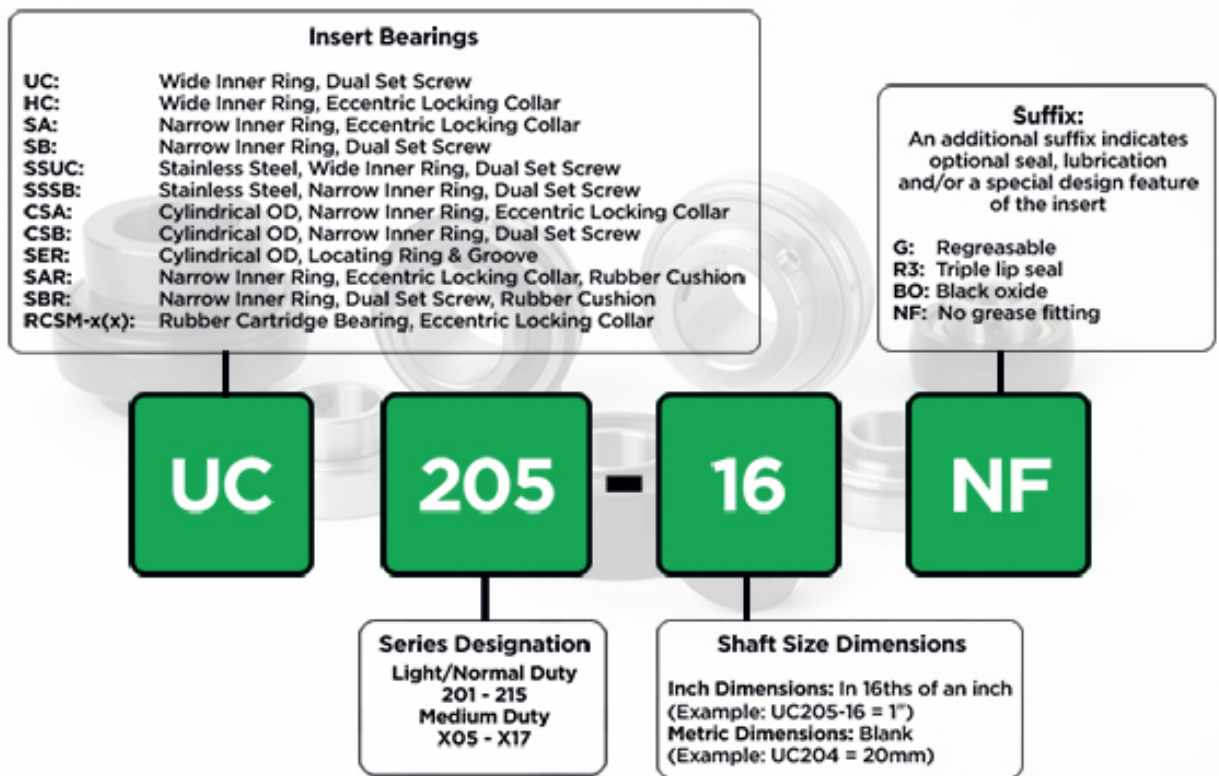
KML's Pressed Steel Mounted Bearing Unit Part Numbering System is a series of formats that in combination identify a specific part number. These formats identify the pressed steel mounted bearing units type, series, housing style, shaft size and additional part-specific information.





Mounted Unit Insert Bearings

KML's Mounted Unit Insert Bearing Part Numbering System is a combination of formats that identify common characteristics of a specific part number. These formats identify the mounted unit insert bearings type, series, shaft size and additional part-specific information.

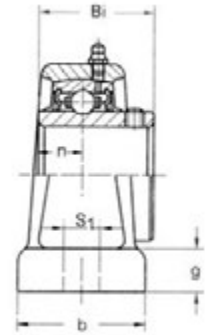
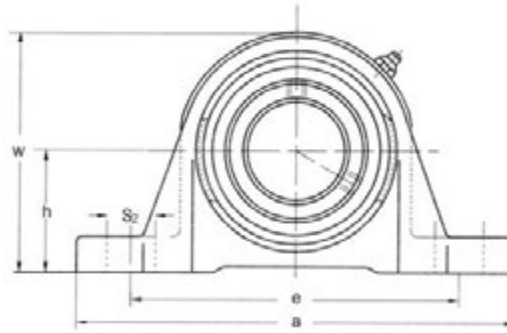




BEARING UNITS



PILLOW BLOCKS - Standard Shaft Height
UCPE 200 Series
 Normal Duty
 Set Screw Locking
 Solid Base



Unit No.	Shaft Dia.		Dimensions inch / mm									Bolt Size	Bearing No.	Housing No.	Weight Lbs kg	
	In.	mm	h	a	e	b	S1	S2	g	w	Bi					n
UCPE 201-8	1/2													UC 201-8		
202-10	5/8		1-5/16	5	3-3/4	1-1/2	1/2	5/8	19/32	2-9/16	1.221	0.500	3/8	202-10	PE204	1.7
204		20	33.3	127	95	38	13	16	15	65	31	12.7	M10	204		0.8
204-12	3/4													204-12		
UCPE 205		25												UC 205		
205-14	7/8		1-7/16	5-1/2	4-1/8	1-1/2	1/2	5/8	5/8	2-3/4	1.339	0.563	3/8	205-14	PE205	2.2
205-15	15/16		36.6	140	105	38	13	16	16	70	34	14.3	M10	205-15		1
205-16	1													205-16		
UCPE 206		30												UC 206		
206-17	1-1/16		1-11/16	6-1/2	4-49/64	1-7/8	21/32	13/16	23/32	3-9/32	1.500	0.626	1/2	206-17	PE206	3.5
206-18	1-1/8		42.9	165	121	48	17	21	18	83	38.1	15.9	M14	206-18		1.6
206-19	1-3/16													206-19		
206-20	1-1/4S													206-20		
UCPE 207		35												UC 207		
207-20	1-1/4		1-7/8	6-9/16	5	1-7/8	21/32	13/16	3/4	3-11/16	1.689	0.689	1/2	207-20	PE207	4.6
207-21	1-5/16		47.6	167	127	48	17	21	19	94	42.9	17.5	M14	207-21		2.1
207-22	1-3/8													207-22		
207-23	1-7/16													207-23		
UCPE 208		40												UC 208		
208-24	1-1/2		1-15/16	7-1/4	5-25/64	2-1/8	21/32	31/32	3/4	3-15/16	1.937	0.748	1/2	208-24	PE208	5.7
208-25	1-9/16		49.2	184	137	54	17	25	19	100	49.2	19.0	M14	208-25		2.6
UCPE 209		45												UC 209		
209-26	1-5/8		2-1/8	7-15/32	5-3/4	2-1/8	21/32	31/32	25/32	4-1/4	1.937	0.748	1/2	209-26	PE209	6.6
209-27	1-11/16		54.0	190	146	54	17	25	20	108	49.2	19.0	M14	209-27		3
209-28	1-3/4													209-28		
UCPE 210		50												UC 210		
210-30	1-7/8		2-1/4	8-1/8	6-1/4	2-3/8	25/32	31/32	7/8	4-1/2	2.032	0.748	5/8	210-30	PE210	7.9
210-31	1-15/16		57.2	206	159	60	20	25	22	114	51.6	19.0	M16	210-31		3.6
210-32	2S													210-32		
UCPE 211		55												UC 211		
211-32	2		2-1/2	8-5/8	6-23/32	2-3/8	25/32	31/32	7/8	4-31/32	2.189	0.874	5/8	211-32	PE211	9.7
211-34	2-1/8		63.5	219	171	60	20	25	22	126	55.6	22.2	M16	211-34		4.4
211-35	2-3/16													211-35		
UCPE 212		60												UC 212		
212-36	2-1/4		2-3/4	9-1/2	7-1/4	2-3/4	25/32	31/32	31/32	5-7/16	2.563	1.000	5/8	212-36	PE212	13.6
212-37	2-5/16		69.8	241	184	70	20	25	25	138	65.1	25.4	M16	212-37		6.2
212-38	2-3/8													212-38		
212-39	2-7/16													212-39		
UCPE 213		65												UC 213		
213-40	2-1/2		3	10-7/16	8	2-3/4	31/32	1-3/16	1-1/16	6-29/64	2.563	1.000	3/4	213-40	PE213	15.4
213-41	2-9/16		76.2	265	203	70	25	29	27	150	65.1	25.4	M20	213-41		7
UCPE 214		70												UC 214		
214-42	2-5/8		3-1/8	10-15/32	8-9/32	2-27/32	31/32	1-1/4	1-1/16	6-3/16	2.937	1.189	3/4	214-42	PE214	16.7
214-43	2-11/16		79.4	266	210	72	25	31	27	156	74.6	30.2	M20	214-43		7.6
214-44	2-3/4													214-44		
UCPE 215		75												UC 215		
215-45	2-13/16		3-1/4	10-13/16	8-17/32	2-29/32	31/32	1-1/4	1-3/32	6-13/32	3.063	1.311	3/4	215-45	PE215	18.7
215-46	2-7/8		82.6	275	217	74	25	31	28	163	77.8	33.3	M20	215-46		8.5
215-47	2-15/16													215-47		
215-48	3													215-48		



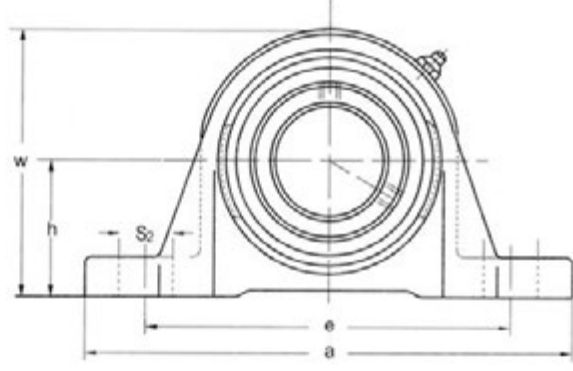
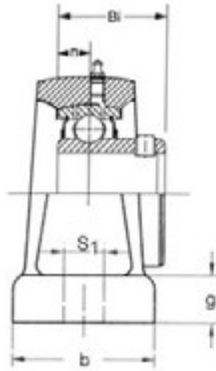
BEARING UNITS



PILLOW BLOCKS - Standard Shaft Height

SBPE 200 Series

Light Duty
Set Screw Locking
Solid Base



Unit No.	Shaft Dia.		Dimensions inch / mm										Bolt Size	Bearing No.	Housing No.	Weight Lbs kg
	In.	mm	h	a	e	b	S1	S2	g	w	Bi	n				
SBPE 201-8 202-10	1/2 5/8		1-3/16 30.16	4-7/8 123.8	3-3/4 95	1-7/32 30.9	7/16 11	19/32 15	9/16 14	2-1/4 57.1	0.866 22	0.236 6	3/8 M10	SB 201-8 202-10	PE203	0.88 0.4
SBPE 204 204-12	3/4	20	1-5/16 33.3	5 127	3-3/4 95	1-1/2 38	1/2 13	5/8 16	19/32 15	2-9/16 65	0.984 25	0.276 7	3/8 M10	SB 204 204-12	PE204	1.10 0.5
SBPE 205 205-14 205-15 205-16	7/8 15/16 1	25	1-7/16 36.6	5-1/2 140	4-1/8 105	1-1/2 38	1/2 13	5/8 16	5/8 16	2-3/4 70	1.063 27	0.295 7.5	3/8 M10	SB 205 205-14 205-15 205-16	PE205	1.54 0.7
SBPE 206 206-17 206-18 206-19 206-20	1-1/16 1-1/8 1-3/16 1-1/4S	30	1-11/16 42.9	6-1/2 165	4-49/64 121	1-7/8 48	21/32 17	13/16 21	23/32 18	3-9/32 83	1.181 30	0.315 8	1/2 M14	SB 206 206-17 206-18 206-19 206-20	PE206	2.20 1.0
SBPE 207 207-20 207-21 207-22 207-23	1-1/4 1-5/16 1-3/8 1-7/16	35	1-7/8 47.6	6-9/16 167	5 127	1-7/8 48	21/32 17	13/16 21	3/4 19	3-11/16 94	1.260 32	0.335 8.5	1/2 M14	SB 207 207-20 207-21 207-22 207-23	PE207	2.86 1.3
SBPE 208 208-24 208-25	1-1/2 1-9/16	40	1-15/16 49.2	7-1/4 184	5-25/64 137	2-1/8 54	21/32 17	31/32 25	3/4 19	3-15/16 100	1.339 34	0.354 9	1/2 M14	SB 208 208-24 208-25	PE208	3.85 1.75
SBPE 209 209-26 209-27 209-28	1-5/8 1-11/16 1-3/4	45	2-1/8 54.0	7-15/32 190	5-3/4 146	2-1/8 54	21/32 17	31/32 25	25/32 20	4-1/4 108	1.614 41	0.374 9.5	1/2 M14	SB 209 209-26 209-27 209-28	PE209	5.25 2.38
SBPE 210 210-30 210-31 210-32	1-7/8 1-15/16 2S	50	2-1/4 57.2	8-1/8 206	6-1/4 159	2-3/8 60	25/32 20	31/32 25	7/8 22	4-1/2 114	1.693 43	.393 10	5/8 M16	SB 210 210-30 210-31 210-32	PE210	6.45 2.93



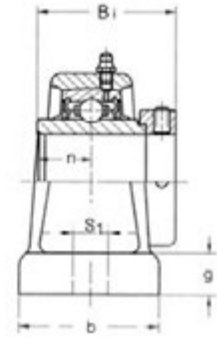
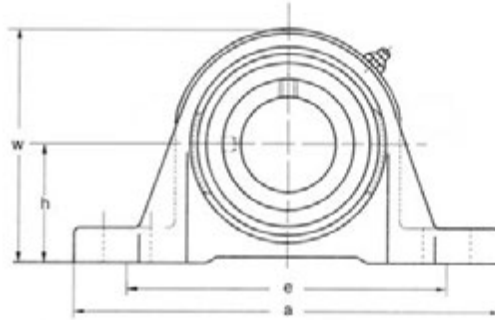
BEARING UNITS



PILLOW BLOCKS - Standard Shaft Height

HCPE 200 Series

Normal Duty
Eccentric Collar Locking
Solid Base



Unit No.	Shaft Dia.		Dimensions inch / mm									Bolt Size	Bearing No.	Housing No.	Weight Lbs kg	
	In.	mm	h	a	e	b	S1	S2	g	w	Bi					n
HCPE 201-8	1/2													HC 201-8		
202-10	5/8		1-5/16	5	3-3/4	1-1/2	1/2	5/8	19/32	2-9/16	1.713	0.669	3/8	202-10	PE204	1.87 0.85
204		20	33.3	127	95	38	13	16	15	65	43.5	17	204			
204-12	3/4												204-12			
HCPE 205		25												HC 205		
205-14	7/8		1-7/16	5-1/2	4-1/8	1-1/2	1/2	5/8	5/8	2-3/4	1.744	0.685	3/8	205-14	PE205	2.33 1.06
205-15	15/16		36.6	140	105	38	13	16	16	70	44.3	17.4	205-15			
205-16	1												205-16			
206-17	1-1/16												206-17			
206-18	1-1/8		1-11/16	6-1/2	4-49/64	1-7/8	21/32	13/16	23/32	3-9/32	1.902	0.717	1/2	206-18	PE206	3.74 1.7
206-19	1-3/16		42.9	165	121	48	17	21	18	83	48.3	18.2	206-19			
206-20	1-1/4S												206-20			
207-20	1-1/4												207-20			
207-21	1-5/16		1-7/8	6-9/16	5	1-7/8	21/32	13/16	3/4	3-11/16	2.012	0.740	1/2	207-21	PE207	4.95 2.25
207-22	1-3/8		47.6	167	127	48	17	21	19	94	51.1	18.8	207-22			
207-23	1-7/16												207-23			
208-24	1-1/2												208-24			
208-25	1-9/16		1-15/16	7-1/4	5-25/64	2-1/8	21/32	31/32	3/4	3-15/16	2.217	0.843	1/2	208-25	PE208	6.16 2.8
209-26	1-5/8		49.2	184	137	54	17	25	19	100	56.3	21.4	209-26			
209-27	1-11/16												209-27			
209-28	1-3/4												209-28			
HCPE 209		45												HC 209		
209-26	1-5/8		2-1/8	7-15/32	5-3/4	2-1/8	21/32	31/32	25/32	4-1/4	2.217	0.843	1/2	209-26	PE209	6.93 3.15
209-27	1-11/16		54	190	146	54	17	25	20	108	56.3	21.4	209-27			
210-30	1-7/8												210-30			
210-31	1-15/16		2-1/4	8-1/8	6-1/4	2-3/8	25/32	31/32	7/8	4-1/2	2.469	0.969	5/8	210-31	PE210	8.36 3.8
210-32	2S		57.2	206	159	60	20	25	22	114	62.7	24.6	210-32			
211-32	2												211-32			
211-34	2-1/8		2-1/2	8-5/8	6-23/32	2-3/8	25/32	31/32	7/8	4-31/32	2.811	1.091	5/8	211-34	PE211	10.34 4.7
211-35	2-3/16		63.5	219	171	60	20	25	22	126	71.4	27.7	211-35			
212-36	2-1/4												212-36			
212-37	2-5/16		2-3/4	9-1/2	7-1/4	2-3/4	25/32	31/32	31/32	5-7/16	3.059	1.217	5/8	212-37	PE212	14.52 6.6
212-38	2-3/8		69.8	241	184	70	20	25	25	138	77.7	30.9	212-38			
212-39	2-7/16												212-39			
213-40	2-1/2		3	10-7/16	8	2-3/4	31/32	1-3/16	1-1/16	5-29/64	3.374	1.343	3/4	213-40		
213-41	2-9/16		76.2	265	203	70	25	29	27	150	85.7	34.1	M20	213-41	PE213	16.50 7.5
214-42	2-5/8												214-42			
214-43	2-11/16		3-1/8	10-15/32	8-9/32	2-27/32	31/32	1-1/4	1-1/16	6-3/16	3.374	1.343	3/4	214-43		
214-44	2-3/4		79.4	266	210	72	25	31	27	156	85.7	34.1	M20	214-44	PE214	17.60 8.0
215-45	2-13/16												215-45			
215-46	2-7/8		3-1/4	10-13/16	8-17/32	2-29/32	31/32	1-1/4	1-3/32	6-13/32	3.626	1.469	3/4	215-46		
215-47	2-15/16		82.6	275	217	74	25	31	28	163	92.1	37.3	M20	215-47	PE215	19.80 9.0
215-48	3												215-48			



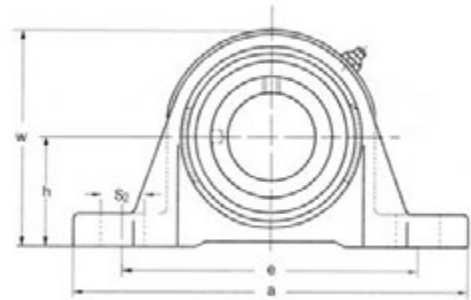
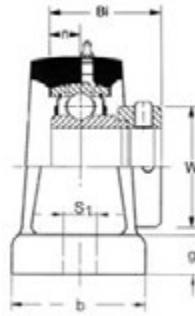
BEARING UNITS



PILLOW BLOCKS - Standard Shaft Height

SAPE 200 Series

Light Duty
Eccentric Collar Locking
Solid Base



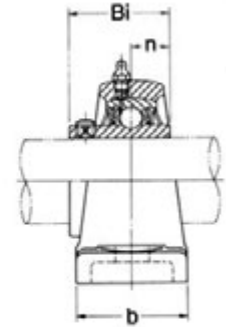
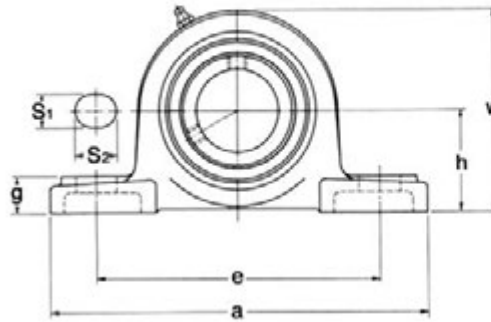
Unit No.	Shaft Dia.		Dimensions inch / mm										Bolt Size	Bearing No.	Housing No.	Weight Lbs kg
	In.	mm	h	a	e	b	S1	S2	g	w	Bi	n				
SAPE 201-8 202-10	1/2 5/8		1-3/16 30.16	4-7/8 123.8	3-3/4 95	1-7/32 30.9	7/16 11	19/32 15	9/16 14	2-1/4 57.1	1.126 28.6	0.236 6	3/8 M10	SA 201-8 202-10	PE203	0.99 0.45
SAPE 204 204-12	3/4	20	1-5/16 33.3	5 127	3-3/4 95	1-1/2 38	1/2 13	5/8 16	19/32 15	2-9/16 65	1.220 31	0.276 7	3/8 M10	SA 204 204-12	PE204	1.21 0.55
SAPE 205 205-14 205-15 205-16	7/8 15/16 1	25	1-7/16 36.6	5-1/2 140	4-1/8 105	1-1/2 38	1/2 13	5/8 16	5/8 16	2-3/4 70	1.220 31	0.295 7.5	3/8 M10	SA 205 205-14 205-15 205-16	PE205	1.76 0.8
SAPE 206 206-17 206-18 206-19 206-20	1-1/16 1-1/8 1-3/16 1-1/4S	30	1-11/16 42.9	6-1/2 165	4-49/64 121	1-7/8 48	21/32 17	13/16 21	23/32 18	3-9/32 83	1.406 35.7	0.315 8	1/2 M14	SA 206 206-17 206-18 206-19 206-20	PE206	2.64 1.2
SAPE 207 207-20 207-21 207-22 207-23	1-1/4 1-5/16 1-3/8 1-7/16	35	1-7/8 47.6	6-9/16 167	5 127	1-7/8 48	21/32 17	13/16 21	3/4 19	3-11/16 94	1.531 38.9	0.335 8.5	1/2 M14	SA 207 207-20 207-21 207-22 207-23	PE207	3.30 1.5
SAPE 208 208-24 208-25	1-1/2 1-9/16	40	1-15/16 49.2	7-1/4 184	5-25/64 137	2-1/8 54	21/32 17	31/32 25	3/4 19	3-15/16 100	1.720 43.7	0.354 9	1/2 M14	SA 208 208-24 208-25	PE208	4.40 2
SAPE 209 209-26 209-27 209-28	1-5/8 1-11/16 1-3/4	45	2-1/8 54	7-15/32 190	5-3/4 146	2-1/8 54	21/32 17	31/32 25	25/32 20	4-1/4 108	1.720 43.7	0.374 9.5	1/2 M14	SA 209 209-26 209-27 209-28	PE209	4.84 2.2
SAPE 210 210-30 210-31 210-32	1-7/8 1-15/16 2S	50	2-1/4 57.2	8-1/8 206	6-1/4 159	2-3/8 60	25/32 20	31/32 25	7/8 22	4-1/2 114	1.720 43.7	0.394 10	5/8 M16	SA 210 210-30 210-31 210-32	PE210	5.28 2.4



BEARING UNITS



PILLOW BLOCKS - Low Shaft Height UCAK 200 Series Normal Duty Set Screw Locking



Unit No.	Shaft Dia.		Dimensions inch / mm										Bolt Size	Bearing No.	Housing No.	Weight Lbs kg
	In.	mm	h	a	e	b	S1	S2	g	w	Bi	n				
UCAK 201-8 202-10 204 204-12	1/2 5/8 3/4	20	1-1/4 31.8	5 127	3-25/32 96	1-1/2 31	1/2 13	5/8 16	9/16 14	2-15/32 63	1-1/4 31	1/2 12.7	3/8 M10	UC 201-8 202-10 204 204-12	AK204	1.54 0.7
UCAK 205 205-14 205-15 205-16	7/8 15/16 1	25	1-5/16 33.3	5-1/2 140	4-1/8 105	1-1/2 38	1/2 13	3/4 19	19/32 15	2-5/8 66.5	1-11/32 34	9/16 14.3	3/8 M10	UC 205 205-14 205-15 205-16	AK205	1.98 0.9
UCAK 206 206-17 206-18 206-19 206-20	1-1/16 1-1/8 1-3/16 1-1/4S	30	1-9/16 36.7	6-5/16 160	4-49/64 121	1-3/4 44	9/16 14	3/4 19	5/8 16	3-1/8 79	1-1/2 38.1	5/8 15.9	1/2 M14	UC 206 206-17 206-18 206-19 206-20	AK206	3.08 1.4
UCAK 207 207-20 207-21 207-22 207-23	1-1/4 1-5/16 1-3/8 1-7/16	35	1-13/16 46	6-9/16 167	5 127	1-7/8 48	19/32 15	3/4 19	21/32 17	3-9/16 91	1-11/16 42.9	11/16 17.5	1/2 M14	UC 207 207-20 207-21 207-22 207-23	AK207	3.74 1.7
UCAK 208 208-24 208-25	1-1/2 1-9/16	40	1-15/16 49.2	7-3/32 180	5-11/32 136	2-1/16 52	19/32 15	13/16 21	23/32 18	3-55/64 98	1-15/16 49.2	3/4 19.0	1/2 M14	UC 208 208-24 208-25	AK208	4.40 2.0
UCAK 209 209-26 209-27 209-28	1-5/8 1-11/16 1-3/4	45	2-1/16 52.4	7-7/16 189	5-3/4 146	2-1/8 54	19/32 15	13/16 21	25/32 20	4-1/8 105	1-15/16 49.2	3/4 19.0	1/2 M14	UC 209 209-26 209-27 209-28	AK209	6.16 2.8
UCAK 210 210-30 210-31 210-32	1-7/8 1-15/16 2S	50	2-3/16 55.6	8-1/32 204	6-1/4 159	2-1/4 57	3/4 19	7/8 22	13/16 21	4-25/64 111.5	2-1/32 51.6	3/4 19.0	5/8 M16	UC 210 210-30 210-31 210-32	AK210	7.04 3.2
UCAK 211 211-32 211-34 211-35	2 2-1/8 2-3/16	55	2-7/16 61.9	8-17/32 217	6-25/32 172	2-3/8 60	3/4 19	7/8 22	7/8 22	4-27/32 123	2-3/16 55.6	7/8 22.2	5/8 M16	UC 211 211-32 211-34 211-35	AK211	10.78 4.9
UCAK 212 212-36 212-37 212-38 212-39	2-1/4 2-5/16 2-3/8 2-7/16	60	2-11/16 68.3	9-3/8 238	7-5/16 186	2-19/32 66	3/4 19	31/32 25	15/16 24	5-11/32 136	2-9/16 65.1	1 25.4	5/8 M16	UC 212 212-36 212-37 212-38 212-39	AK212	11.66 5.3

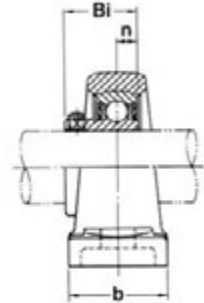
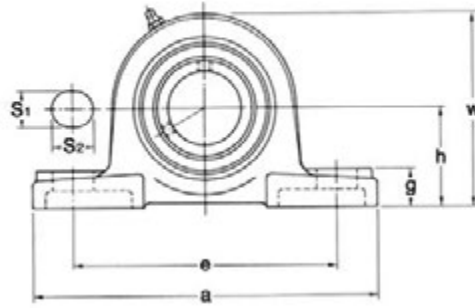


BEARING UNITS



PILLOW BLOCKS - Low Shaft Height SBAK 200 Series

Light Duty
Set Screw Locking



Unit No.	Shaft Dia.		Dimensions inch / mm										Bolt Size	Bearing No.	Housing No.	Weight Lbs kg
	In.	mm	h	a	e	b	S1	S2	g	w	Bi	n				
SBAK 204 204-12	3/4	20	1-1/4 31.8	5 127	3-25/32 96	1-1/2 31	1/2 13	5/8 16	9/16 14	2-15/32 63	0.984 25	0.276 7	M10 3/8	SB 204 204-12	AK204	0.90 0.41
SBAK 205 205-14 205-15 205-16	7/8 15/16 1	25	1-5/16 33.3	5-1/2 140	4-1/8 105	1-1/2 38	1/2 13	3/4 19	19/32 15	2-5/8 66.5	1.063 27	0.295 7.5	M10 3/8	SB 205 205-14 205-15 205-16	AK205	1.36 0.62
SBAK 206 206-17 206-18 206-19 206-20	1-1/16 1-1/8 1-3/16 1-1/4S	30	1-9/16 36.7	6-5/16 160	4-49/64 121	1-3/4 44	9/16 14	3/4 19	5/8 16	3-1/8 79	1.181 30	5/16 8	M14 1/2	SB 206 206-17 206-18 206-19 206-20	AK206	2.16 0.98
SBAK 207 207-20 207-21 207-22 207-23	1-1/4 1-5/16 1-3/8 1-7/16	35	1-13/16 46	6-9/16 167	5 127	1-7/8 48	19/32 15	3/4 19	21/32 17	3-9/16 91	1.260 32	0.335 8.5	M14 1/2	SB 207 207-20 207-21 207-22 207-23	AK207	2.64 1.2
SBAK 208 208-24 208-25	1-1/2 1-9/16	40	1-15/16 49.2	7-3/32 180	5-11/32 136	2-1/16 52	19/32 15	13/16 21	23/32 18	3-55/64 98	1.339 34	0.354 9	M14 1/2	SB 208 208-24 208-25	AK208	3.74 1.7

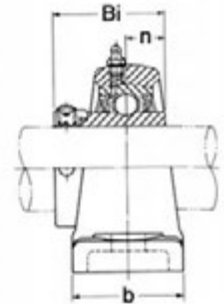
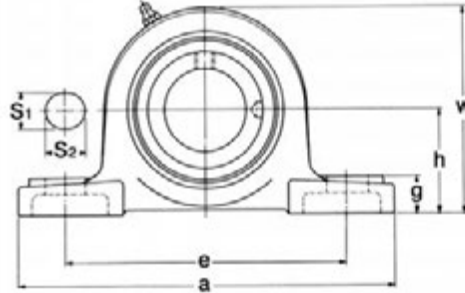


BEARING UNITS



PILLOW BLOCKS - Low Shaft Height HCAK 200 Series

Normal Duty
Eccentric Collar Locking



Unit No.	Shaft Dia.		Dimensions inch / mm										Bolt Size	Bearing No.	Housing No.	Weight Lbs kg
	In.	mm	h	a	e	b	S1	S2	g	w	Bi	n				
HCAK 201-8 202-10 204	1/2 5/8 3/4	20	1-1/4 31.8	5 127	3-25/32 96	1-1/2 31	1/2 13	5/8 16	9/16 14	2-15/32 63	1.713 43.5	0.669 17	3/8 M10	HC 201-8 202-10 204	AK204	1.63 0.74
HCAK 205 205-14 205-15 205-16	7/8 15/16 1	25	1-5/16 33.3	5-1/2 140	4-1/8 105	1-1/2 38	1/2 13	3/4 19	19/32 15	2-5/8 66.5	1.744 44.3	0.685 17.4	3/8 M10	HC 205 205-14 205-15 205-16	AK205	2.07 0.94
HCAK 206 206-17 206-18 206-19 206-20	1-1/16 1-1/8 1-3/16 1-1/4S	30	1-9/16 36.7	6-5/16 160	4-49/64 121	1-3/4 44	9/16 14	3/4 19	5/8 16	3-1/8 79	1.902 48.3	0.717 18.2	1/2 M14	HC 206 206-17 206-18 206-19 206-20	AK206	3.30 1.5
HCAK 207 207-20 207-21 207-22 207-23	1-1/4 1-5/16 1-3/8 1-7/16	35	1-13/16 46	6-9/16 167	5 127	1-7/8 48	19/32 15	3/4 19	21/32 17	3-9/16 91	2.012 51.1	0.740 18.8	1/2 M14	HC 207 207-20 207-21 207-22 207-23	AK207	4.00 1.82
HCAK 208 208-24 208-25	1-1/2 1-9/16	40	1-15/16 49.2	7-3/32 180	5-11/32 136	2-1/16 52	19/32 15	13/16 21	23/32 18	3-55/64 98	2.217 56.3	0.843 21.4	1/2 M14	HC 208 208-24 208-25	AK208	4.84 2.2
HCAK 209 209-26 209-27 209-28	1-5/8 1-11/16 1-3/4	45	2-1/16 52.4	7-7/16 189	5-3/4 146	2-1/8 54	19/32 15	13/16 21	25/32 20	4-1/8 105	2.217 56.3	0.843 21.4	1/2 M14	HC 209 209-26 209-27 209-28	AK209	6.49 2.95
HCAK 210 210-30 210-31 210-32	1-7/8 1-15/16 2S	50	2-3/16 55.6	8-1/32 204	6-1/4 159	2-1/4 57	3/4 19	7/8 22	13/16 21	4-25/64 111.5	2.469 62.7	0.969 24.6	5/8 M16	HC 210 210-30 210-31 210-32	AK210	7.48 3.4
HCAK 211 211-32 211-34 211-35	2 2-1/8 2-3/16	55	2-7/16 61.9	8-17/32 217	6-25/32 172	2-3/8 60	3/4 19	7/8 22	7/8 22	4-27/32 123	2.811 71.4	1.091 27.7	5/8 M16	HC 211 211-32 211-34 211-35	AK211	11.33 5.15
HCAK 212 212-36 212-37 212-38 212-39	2-1/4 2-5/16 2-3/8 2-7/16	60	2-11/16 68.3	9-3/8 238	7-5/16 186	2-19/32 66	3/4 19	31/32 25	15/16 24	5-11/32 136	3.059 77.7	1.217 30.9	5/8 M16	HC 212 212-36 212-37 212-38 212-39	AK212	12.54 5.7

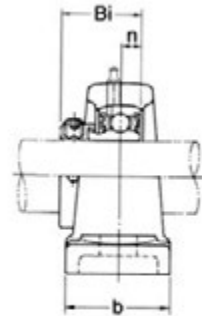
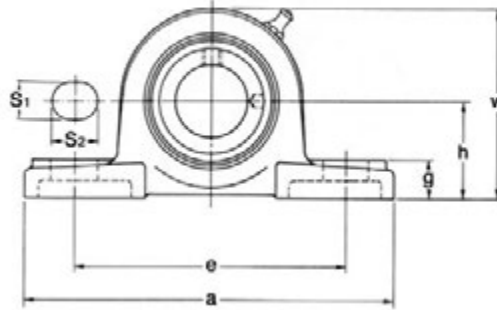


BEARING UNITS



PILLOW BLOCKS - Low Shaft Height SAAK 200 Series

Light Duty
Eccentric Collar Locking



Unit No.	Shaft Dia.		Dimensions inch / mm										Bolt Size	Bearing No.	Housing No.	Weight Lbs kg
	In.	mm	h	a	e	b	S1	S2	g	w	Bi	n				
SAAK 204 204-12	3/4	20	1-1/4 31.8	5 127	3-25/32 96	1-1/2 31	1/2 13	5/8 16	9/16 14	2-15/32 63	1.220 31	9/32 7	3/8 M10	SA 204 204-12	AK204	1.10 0.5
SAAK 205 205-14 205-15 205-16	7/8 15/16 1	25	1-5/16 33.3	5-1/2 140	4-1/8 105	1-1/2 38	1/2 13	3/4 19	19/32 15	2-5/8 66.5	1.220 31	0.295 7.5	3/8 M10	SA 205 205-14 205-15 205-16	AK205	1.54 0.7
SAAK 206 206-17 206-18 206-19 206-20	1-1/16 1-1/8 1-3/16 1-1/4S	30	1-9/16 36.7	6-5/16 160	4-49/64 121	1-3/4 44	9/16 14	3/4 19	5/8 16	3-1/8 79	1.406 35.7	0.315 8	1/2 M14	SA 206 206-17 206-18 206-19 206-20	AK206	2.64 1.2
SAAK 207 207-20 207-21 207-22 207-23	1-1/4 1-5/16 1-3/8 1-7/16	35	1-13/16 46	6-9/16 167	5 127	1-7/8 48	19/32 15	3/4 19	21/32 17	3-9/16 91	1.531 38.9	0.335 8.5	1/2 M14	SA 207 207-20 207-21 207-22 207-23	AK207	3.08 1.4
SAAK 208 208-24 208-25	1-1/2 1-9/16	40	1-15/16 49.2	7-3/32 180	5-11/32 136	2-1/16 52	19/32 15	13/16 21	23/32 18	3-55/64 98	1.720 43.7	0.354 9	1/2 M14	SA 208 208-24 208-25	AK208	4.19 1.9
SAAK 209 209-26 209-27 209-28	1-5/8 1-11/16 1-3/4	45	2-1/16 52.4	7-7/16 189	5-3/4 146	2-1/8 54	19/32 15	13/16 21	25/32 20	4-1/8 105	1.720 43.7	0.374 9.5	1/2 M14	SA 209 209-26 209-27 209-28	AK209	4.62 2.1
SAAK 210 210-30 210-31 210-32	1-7/8 1-15/16 2S	50	2-3/16 55.6	8-1/32 204	6-1/4 159	2-1/4 57	3/4 19	7/8 22	13/16 21	4-25/64 111.5	1.720 43.7	0.394 10	5/8 M16	SA 210 210-30 210-31 210-32	AK210	5.06 2.3

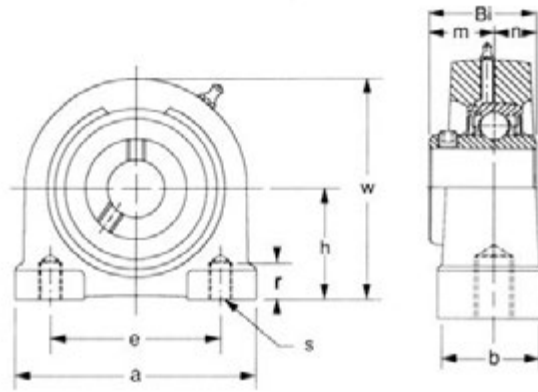


BEARING UNITS



TAP BASE PILLOW BLOCKS - Inch Dimension UCTB 200 Series

Normal Duty
Set Screw Locking
Inch Bolt Hole Spacing, Inch Threads



Unit No.	Shaft Dia.		Dimensions inch / mm									Bearing No.	Housing No.	Weight Lbs kg	
	In.	mm	h	a	e	b	S	r	w	Bi	n				m
UCTB 201-8	1/2												UC 201-8		
202-10	5/8	20	1-5/16	2-7/8	2	1-1/2	3/8-16	1/2	2-9/16	1.220	0.500	23/32	202-10	TB204	1.32
204			33.3	73	50.8	38.1		12.7	65.1	31.0	12.7	18.3	204		0.6
204-12	3/4												204-12		
UCTB 205		25											UC 205		
205-14	7/8		1-7/16	3	2	1-1/2	3/8-16	1/2	2-13/16	1.339	0.563	25/32	205-14	TB205	1.76
205-15	15/16		36.5	76.2	50.8	38.1		12.7	71.4	34.0	14.3	19.7	205-15		0.8
205-16	1												205-16		
UCTB 206		30											UC 206		
206-17	1-1/16		1-11/16	4	3	1-1/2	7/16-14	5/8	3-3/8	1.500	0.626	7/8	206-17	TB206	2.64
206-18	1-1/8		42.9	101.6	76.2	38.1		16	85.7	38.1	15.9	22.2	206-18		1.2
206-19	1-3/16												206-19		
206-20	1-1/4S												206-20		
UCTB 207		35											UC 207		
207-20	1-1/4		1-7/8	4-1/4	3-1/4	1-7/8	1/2-13	3/4	3-3/4	1.689	0.689	1	207-20	TB207	3.74
207-21	1-5/16		47.6	107.9	82.5	47.6		19	95.3	42.9	17.5	25.4	207-21		1.7
207-22	1-3/8												207-22		
207-23	1-7/16												207-23		
UCTB 208		40											UC 208		
208-24	1-1/2		1-15/16	4-5/8	3-1/2	1-7/8	1/2-13	3/4	3-15/16	1.937	0.748	1-3/16	208-24	TB208	4.40
208-25	1-9/16		49.2	117.5	88.9	47.6		19	100.0	49.2	19.0	30.2	208-25		2.0
UCTB 209		45											UC 209		
209-26	1-5/8		2-1/8	5	3-3/4	2	1/2-13	3/4	4-1/4	1.937	0.748	1-3/16	209-26	TB209	4.84
209-27	1-11/16		54.0	127.0	95.3	50.8		19	107.9	49.2	19.0	30.2	209-27		2.2
209-28	1-3/4												209-28		
UCTB 210		50											UC 210		
210-30	1-7/8		2-1/4	5-1/2	4	2	5/8-11	7/8	4-5/8	2.031	0.748	1-9/32	210-30	TB210	6.38
210-31	1-15/16		57.1	139.7	101.6	50.8		22	117.5	51.6	19.0	32.6	210-31		2.9
210-32	2S												210-32		

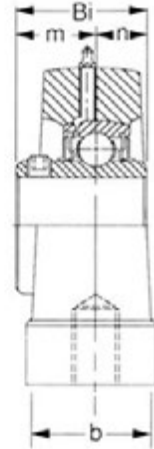
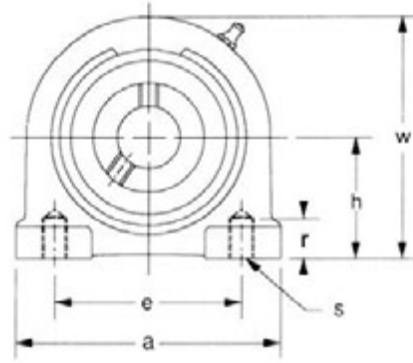


BEARING UNITS



TAP BASE PILLOW BLOCKS - Metric Dimension UCPA 200 Series

Normal Duty
Set Screw Locking
Metric Bolt Hole Spacing, Metric Threads



Unit No.	Shaft Dia.		Dimensions inch / mm										Bearing No.	Housing No.	Weight Lbs kg	
	In.	mm	h	a	e	b	S	r	g	w	Bi	n				m
UCPA 201-8 202-10 204 204-12	1/2 5/8 3/4	20	1-3/16 30.2	3 76.2	52	1-1/2 38	M10x1.5	15/32 12	7/16 11.1	2-7/16 61.9	1.220 31	0.500 12.7	23/32 18.3	UC 201-8 202-10 204 204-12	PA204	1.32 0.6
UCPA 205 205-14 205-15 205-16	7/8 15/16 1	25	1-7/16 36.5	3-5/16 84.1	56	1-1/2 38	M10x1.5	19/32 15	15/32 11.9	2-27/32 72.2	1.339 34	0.563 14.3	25/32 19.7	UC 205 205-14 205-15 205-16	PA205	1.76 0.8
UCPA 206 206-17 206-18 206-19 206-20	1-1/16 1-1/8 1-3/16 1-1/4S	30	1-11/16 42.8	3-43/64 93.7	66	1-7/8 48	M14x2.0	23/32 18	15/32 11.9	3-5/16 84.1	1.500 38.1	0.626 15.9	7/8 22.2	UC 206 206-17 206-18 206-19 206-20	PA206	2.64 1.2
UCPA 207 207-20 207-21 207-22 207-23	1-1/4 1-5/16 1-3/8 1-7/16	35	1-7/8 47.6	4-11/32 110.3	80	1-7/8 48	M14x2.0	25/32 20	1/2 12.7	3-3/4 95.3	1.689 42.9	0.689 17.5	1 25.4	UC 207 207-20 207-21 207-22 207-23	PA207	3.74 1.7
UCPA 208 208-24 208-25	1-1/2 1-9/16	40	1-15/16 49.2	4-9/16 115.9	84	2-1/8 54	M14x2.0	25/32 20	1/2 12.7	3-15/16 100.0	1.937 49.2	0.748 19	1-3/16 30.2	UC 208 208-24 208-25	PA208	4.18 1.9
UCPA 209 209-26 209-27 209-28	1-5/8 1-11/16 1-3/4	45	2-9/64 54.4	4-23/32 119.8	90	2-1/8 54	M14x2.0	31/32 25	1/2 12.7	4-1/4 107.9	1.937 49.2	0.748 19	1-3/16 30.2	UC 209 209-26 209-27 209-28	PA209	4.84 2.2
UCPA 210 210-30 210-31 210-32	1-7/8 1-15/16 2S	50	2-1/4 57.2	5-1/8 130.2	94	2-3/8 60	M16x2.0	31/32 25	9/16 14.3	4-9/16 115.9	2.031 51.6	0.748 19	1-9/32 32.6	UC 210 210-30 210-31 210-32	PA210	5.72 2.6



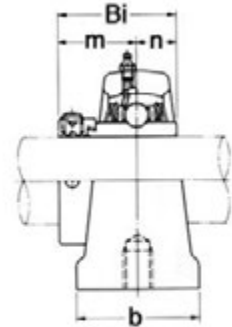
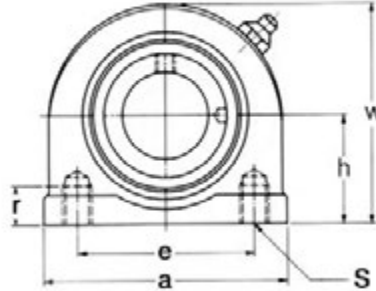
BEARING UNITS



TAP BASE PILLOW BLOCKS - Inch Dimension

HCTB 200 Series

Normal Duty
Eccentric Collar Locking
Inch Bolt Hole Spacing, Inch Threads



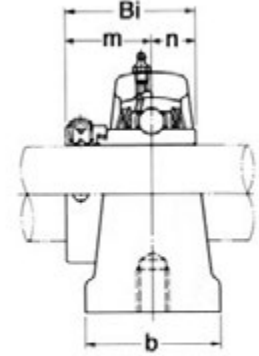
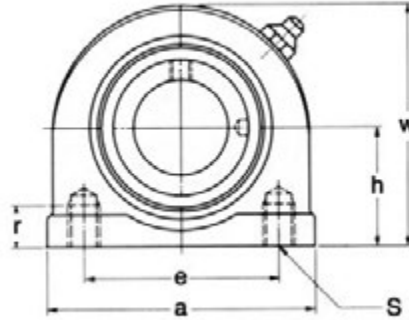
Unit No.	Shaft Dia.		Dimensions inch / mm									Bearing No.	Housing No.	Weight Lbs kg	
	In.	mm	h	a	e	b	S	r	w	Bi	n				m
HCTB 201-8	1/2												HC 201-8		
202-10	5/8	20	1-5/16	2-7/8	2	1-1/2	3/8-16	1/2	2-9/16	1.713	0.669	1-3/64	202-10	TB204	1.41
204			33.3	73	50.8	38.1		12.7	65.1	43.5	17	26.5	204		0.64
204-12	3/4												204-12		
HCTB 205		25											HC 205		
205-14	7/8		1-7/16	3	2	1-1/2	3/8-16	1/2	2-13/16	1.744	0.685	1-1/16	205-14	TB205	1.85
205-15	15/16		36.5	76.2	50.8	38.1		12.7	71.4	44.3	17.4	26.9	205-15		0.84
205-16	1												205-16		
HCTB 206		30											HC 206		
206-17	1-1/16		1-11/16	4	3	1-1/2	7/16-14	5/8	3-3/8	1.902	0.717	1-3/16	206-17	TB206	2.86
206-18	1-1/8		42.9	101.6	76.2	38.1		16	85.7	48.3	18.2	30.1	206-18		1.3
206-19	1-3/16												206-19		
206-20	1-1/4S												206-20		
HCTB 207		35											HC 207		
207-20	1-1/4		1-7/8	4-1/4	3-1/4	1-7/8	1/2-13	3/4	3-3/4	2.012	0.740	1-17/64	207-20	TB207	4.00
207-21	1-5/16		47.6	107.9	82.5	47.6		19	95.3	51.1	18.8	32.3	207-21		1.82
207-22	1-3/8												207-22		
207-23	1-7/16												207-23		
HCTB 208		40											HC 208		
208-24	1-1/2		1-15/16	4-5/8	3-1/2	1-7/8	1/2-13	3/4	3-15/16	2.217	0.843	1-3/8	208-24	TB208	4.62
208-25	1-9/16		49.2	117.5	88.9	47.6		19	100.0	56.3	21.4	34.9	208-25		2.1
HCTB 209		45											HC 209		
209-26	1-5/8		2-1/8	5	3-3/4	2	1/2-13	3/4	4-1/4	2.217	0.843	1-3/8	209-26	TB209	5.17
209-27	1-11/16		54.0	127.0	95.3	50.8		19	107.9	56.3	21.4	34.9	209-27		2.35
209-28	1-3/4												209-28		
HCTB 210		50											HC 210		
210-30	1-7/8		2-1/4	5-1/2	4	2	5/8-11	7/8	4-5/8	2.469	0.969	2-27/32	210-30	TB210	6.60
210-31	1-15/16		57.1	139.7	101.6	50.8		22	117.5	62.7	24.6	46.8	210-31		3.0
210-32	2S												210-32		



BEARING UNITS



TAP BASE PILLOW BLOCKS - Metric Dimension
HCPA 200 Series
 Normal Duty
 Eccentric Collar Locking
 Metric Bolt Hole Spacing, Metric Threads



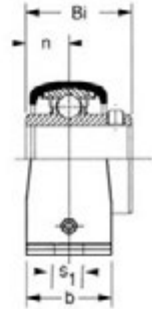
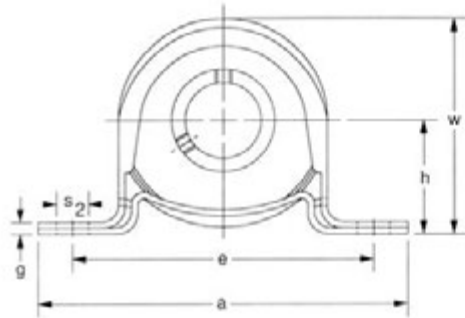
Unit No.	Shaft Dia.		Dimensions inch / mm										Bearing No.	Housing No.	Weight Lbs kg	
	In.	mm	h	a	e	b	S	r	g	w	Bi	n				m
HCPA 201-8	1/2													HC 201-8		
202-10	5/8		1-3/16	3	52	1-1/2	M10x1.5	15/32	7/16	2-7/16	1.713	0.669	1-3/64	202-10	PA204	1.41
204		20	30.2	76.2		38		12	11.1	61.9	43.5	17	26.5	204		0.64
204-12	3/4													204-12		
HCPA 205		25												HC 205		
205-14	7/8		1-7/16	3-5/16	56	1-1/2	M10x1.5	19/32	15/32	2-27/32	1.744	0.685	1-1/16	205-14	PA205	1.85
205-15	15/16		36.5	84.1		38		15	11.9	72.2	44.3	17.4	26.9	205-15		0.84
205-16	1													205-16		
HCPA 206		30												HC 206		
206-17	1-1/16													206-17	PA206	2.86
206-18	1-1/8		1-11/16	3-43/64	66	1-7/8	M14x2.0	23/32	15/32	3-5/16	1.902	0.717	1-3/16	206-18		1.3
206-19	1-3/16		42.8	93.7		48		18	11.9	84.1	48.3	18.2	30.1	206-19		
206-20	1-1/4S													206-20		
HCPA 207		35												HC 207		
207-20	1-1/4		1-7/8	4-11/32	80	1-7/8	M14x2.0	25/32	1/2	3-3/4	2.012	0.740	1-17/64	207-20	PA207	4.00
207-21	1-5/16		47.6	110.3		48		20	12.7	95.3	51.1	18.8	32.3	207-21		1.82
207-22	1-3/8													207-22		
207-23	1-7/16													207-23		
HCPA 208		40												HC 208		
208-24	1-1/2		1-15/16	4-9/16	84	2-1/8	M14x2.0	25/32	1/2	3-15/16	2.217	0.843	1-3/8	208-24	PA208	4.62
208-25	1-9/16		49.2	115.9		54		20	12.7	100.0	56.3	21.4	34.9	208-25		2.1
HCPA 209		45												HC 209		
209-26	1-5/8		2-9/64	4-23/32	90	2-1/8	M14x2.0	31/32	1/2	4-1/4	2.217	0.843	1-3/8	209-26	PA209	5.17
209-27	1-11/16		54.4	119.8		54		25	12.7	107.9	56.3	21.4	34.9	209-27		2.35
209-28	1-3/4													209-28		
HCPA 210		50												HC 210		
210-30	1-7/8		2-1/4	5-1/8	94	2-3/8	M16x2.0	31/32	9/16	4-9/16	2.469	0.969	1-27/32	210-30	PA210	6.60
210-31	1-15/16		57.2	130.2		60		25	14.3	115.9	62.7	24.6	46.8	210-31		3.0
210-32	2S													210-32		



BEARING UNITS



PILLOW BLOCKS - Pressed Steel
UCPP 200 Series
 Normal Duty
 Set Screw Locking



Unit No.	Shaft Dia.		Dimensions inch / mm										Bearing No.	Housing No.	Weight Lbs / kg	
	In.	mm	h	a	e	b	S1	S2	w	g	Bi	n				
UCPP 201-8	1/2													UC 201-8		
202-10	5/8													202-10		
204		20	1	4-1/8	2-63/64	31/32	13/32	1/2	2-3/52	0.157	1.220	0.500		204	PP204ST	0.48
204-12	3/4		25.40	105	76	25	10	13	53	4	31	12.7		204-12		0.22
UCPP 205		25												UC 205		
205-14	7/8													205-14		
205-15	15/16		1-1/8	4-19/64	3-25/64	1-3/16	13/32	9/16	2-7/32	0.197	1.339	0.563		205-15	PP205ST	0.68
205-16	1		28.58	109	86	29	10	14	56	5	34	14.3		205-16		0.31
UCPP 206		30												UC 206		
206-17	1-1/16													206-17		
206-18	1-1/8		1-5/16	4-7/8	3-3/4	1-1/4	13/32	9/16	2-5/8	0.236	1.500	0.626		206-18	PP206ST	1.03
206-19	1-3/16		33.34	124	95	32	10	14	67	6	38.1	15.9		206-19		0.47
206-20	1-1/4S													206-20		
UCPP 207		35												UC 207		
207-20	1-1/4		1-9/16	5-3/4	4-1/4	1-19/64	1/2	3/4	3-1/8	0.236	1.689	0.689		207-20		
207-21	1-5/16		39.69	146	108	33	13	19	79	6	42.9	17.5		207-21	PP207ST	1.61
207-22	1-3/8													207-22		0.73
207-23	1-7/16													207-23		

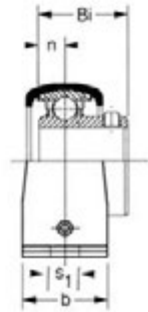
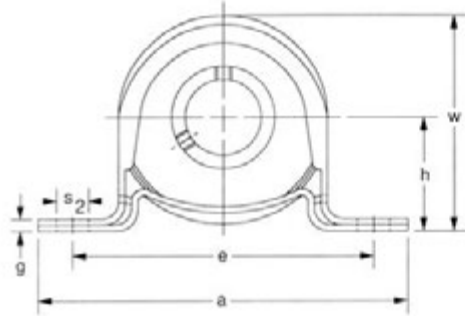
Standard Stock Item is Snap Together Type and Zinc Plated.



BEARING UNITS



PILLOW BLOCKS - Pressed Steel SBPP 200 Series Light Duty Set Screw Locking



Unit No.	Shaft Dia.		Dimensions inch / mm										Bearing No.	Housing No.	Weight Lbs kg
	In.	mm	h	a	e	b	S1	S2	w	g	Bi	n			
SBPP 201-8 202-10	1/2 5/8		7/8 22.22	3-5/8 92	2-11/16 68	31/32 25	11/32 9	1/2 13	1-3/4 44	0.157 4	0.866 22	0.236 6.0	SB 201-8 202-10	PP203ST	0.37 0.17
SBPP 204 204-12	3/4	20	1 25.40	4-1/8 105	2-63/64 76	31/32 25	13/32 10	1/2 13	2-3/32 53	0.157 4	0.984 25	0.276 7.0	SB 204 204-12	PP204ST	0.48 0.22
SBPP 205 205-14 205-15 205-16	7/8 15/16 1	25	1-1/8 28.58	4-19/64 109	3-25/64 86	1-3/16 29	13/32 10	9/16 14	2-7/32 56	0.197 5	1.063 27	0.295 7.5	SB 205 205-14 205-15 205-16	PP205ST	0.68 0.31
SBPP 206 206-17 206-18 206-19 206-20	1-1/16 1-1/8 1-3/16 1-1/4S	30	1-5/16 33.34	4-7/8 124	3-3/4 95	1-1/4 32	13/32 10	9/16 14	2-5/8 67	0.236 6	1.181 30	0.315 8.0	SB 206 206-17 206-18 206-19 206-20	PP206ST	1.03 0.47
SBPP 207 207-20 207-21 207-22 207-23	1-1/4 1-5/16 1-3/8 1-7/16	35	1-9/16 39.69	5-3/4 146	4-1/4 108	1-19/64 33	1/2 13	3/4 19	3-1/8 79	0.236 6	1-1/4 32	0.335 8.5	SB 207 207-20 207-21 207-22 207-23	PP207ST	1.61 0.73

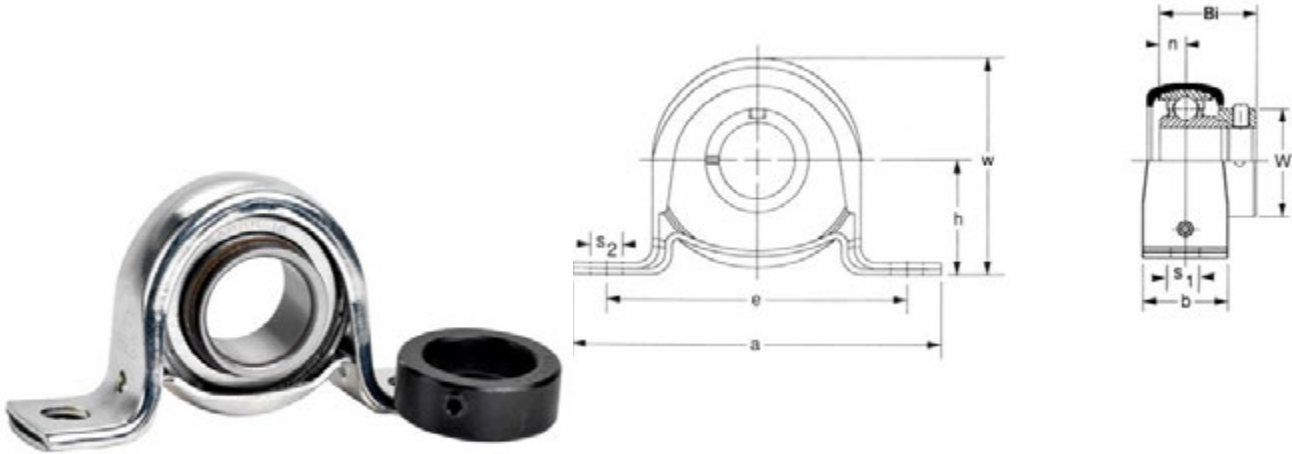
Standard Stock Item is Snap Together Type and Zinc Plated.



BEARING UNITS



PILLOW BLOCKS - Pressed Steel SAPP 200 Series Light Duty Eccentric Collar Locking



Unit No.	Shaft Dia.		Dimensions inch / mm										Bolt Size	Bearing No.	Housing No.	Weight Lbs kg	
	In.	mm	h	a	e	b	S1	S2	w	g	Bi	n					W
SAPP 201-8 202-10	1/2 5/8		7/8 22.22	3-5/8 92	2-11/16 68	31/32 25	11/32 9	1/2 13	1-3/4 44	0.157 4	1.126 28.6	0.236 6.0	1-1/8 28.6	5/16 M8	SA 201-8 202-10	PP203ST	0.44 0.20
SAPP 204 204-12	3/4	20	1 25.40	4-1/8 105	2-63/64 76	31/32 25	13/32 10	1/2 13	2-3/32 53	0.157 4	1.220 31.0	0.276 7.0	1-1/4 32.0	5/16 M8	SA 204 204-12	PP204ST	0.53 0.24
SAPP 205 205-14 205-15 205-16	7/8 15/16 1	25	1-1/8 28.58	4-19/64 109	3-25/64 86	1-3/16 29	13/32 10	9/16 14	2-7/32 56	0.197 5	1.220 31.0	0.295 7.5	1-1/2 38.1	3/8 M10	SA 205 205-14 205-15 205-16	PP205ST	0.73 0.33
SAPP 206 206-17 206-18 206-19 206-20	1-1/16 1-1/8 1-3/16 1-1/4S	30	1-5/16 33.34	4-7/8 124	3-3/4 95	1-1/4 32	13/32 10	9/16 14	2-5/8 67	1/4 6	1.406 35.7	0.315 8.0	1-3/4 44.5	3/8 M10	SA 206 206-17 206-18 206-19 206-20	PP206ST	1.10 0.50
SAPP 207 207-20 207-21 207-22 207-23	1-1/4 1-5/16 1-3/8 1-7/16	35	1-9/16 39.69	5-3/4 146	4-1/4 108	1-19/64 33	1/2 13	3/4 19	3-1/8 79	1/4 6	1.531 38.9	0.335 8.5	2-15/64 56.6	3/8 M10	SA 207 207-20 207-21 207-22 207-23	PP207ST	1.65 0.75

Standard Stock Item is Snap Together Type and Zinc Plated.

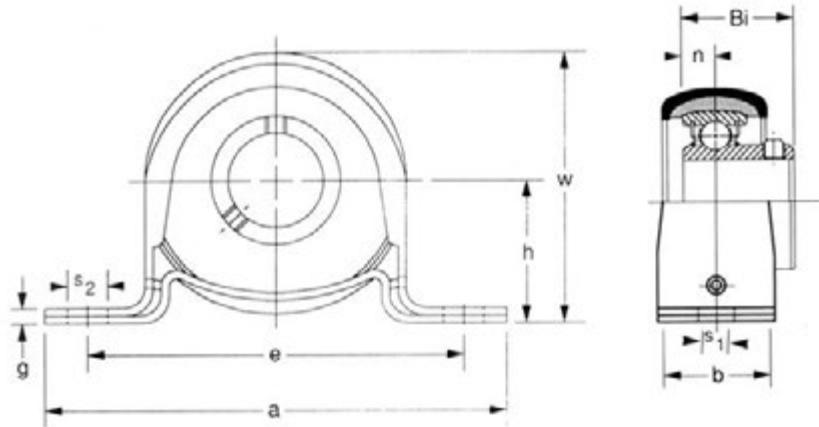


BEARING UNITS



RUBBER CUSHION PILLOW BLOCKS - Pressed Steel SBRPP 200 Series

Light Duty
Set Screw Locking



Unit No.	Shaft Dia.		Dimensions inch / mm										Bolt Size	Bearing No.	Housing No.	Rubber No.	Weight Lbs kg
	In.	mm	h	a	e	b	S1	S2	g	w	Bi	n					
SBRPP 201-8 202-10	1/2 5/8		1 25.40	4-1/8 105	2-63/64 76	31/32 25	13/32 10	1/2 13	0.157 4	2-3/32 53	0.866 22.0	0.236 6.0	5/16 M8	SB 201-8 202-10	PP204ST	R-4	0.40 0.18
SBRPP 204 204-12	3/4	20	1-1/8 28.58	4-19/64 109	3-25/64 86	1-3/16 29	13/32 10	9/16 14	0.197 5	2-7/32 56	0.984 25.0	0.276 7.0	3/8 M10	SB 204 204-12	PP205ST	R-5	0.55 0.25
SBRPP 205 205-14 205-15 205-16	7/8 15/16 1	25	1-5/16 33.34	4-7/8 124	3-3/4 95	1-1/4 32	13/32 10	9/16 14	0.236 6	2-5/8 67	1.063 27.0	0.295 7.5	3/8 M10	SB 205 205-14 205-15 205-16	PP206ST	R-6	0.73 0.33
SBRPP 206 206-17 206-18 206-19 206-20	1-1/16 1-1/8 1-3/16 1-1/4S	30	1-9/16 39.69	5-3/4 146	4-1/4 108	1-19/64 33	1/2 13	3/4 19	0.236 6	3-1/8 79	1.181 30.0	0.315 8.0	3/8 M10	SB 206 206-17 206-18 206-19 206-20	PP207ST	R-7	1.06 0.48

Standard Stock Item is Snap Together Type and Zinc Plated.

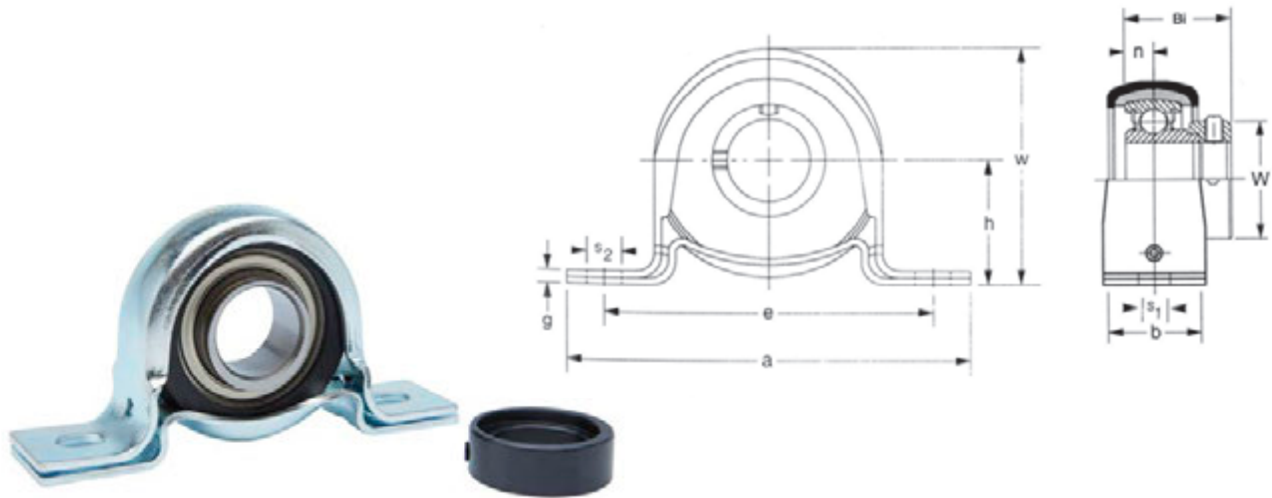


BEARING UNITS



RUBBER CUSHION PILLOW BLOCKS - Pressed Steel SARPP 200 Series

Light Duty
Eccentric Collar Locking



Unit No.	Shaft Dia.		Dimensions inch / mm											Bolt Size	Bearing No.	Housing No.	Rubber No.	Weight Lbs kg
	In.	mm	h	a	e	b	S1	S2	g	w	Bi	n	W					
SARPP 201-8 202-10	1/2 5/8		1 25.40	4-1/8 105	2-63/64 76	31/32 25	13/32 10	1/2 13	0.157 4	2-3/32 53	1.220 31	0.236 6.0	1-1/8 28.6	5/16 M8	SA 201-8 202-10	PP204ST	R-4	0.44 0.2
SARPP 204 204-12	3/4	20	1-1/8 28.58	4-19/64 109	3-25/64 86	1-3/16 29	13/32 10	9/16 14	0.197 5	2-7/32 56	1.220 31	0.276 7.0	1-1/4 32.0	3/8 M10	SA 204 204-12	PP205ST	R-5	0.66 0.3
SARPP 205 205-14 205-15 205-16	7/8 15/16 1	25	1-5/16 33.34	4-7/8 124	3-3/4 95	1-1/4 32	13/32 10	9/16 14	1/4 6	2-5/8 67	1.406 35.7	0.295 7.5	1-1/2 38.1	3/8 M10	SA 205 205-14 205-15 205-16	PP206ST	R-6	1.10 0.5
SARPP 206 206-17 206-18 206-19 206-20	1-1/16 1-1/8 1-3/16 1-1/4S	30	1-9/16 39.69	5-3/4 146	4-1/4 108	1-19/64 33	1/2 13	3/4 19	1/4 6	3-1/8 79	1.531 38.9	0.315 8.0	1-3/4 44.5	3/8 M10	SA 206 206-17 206-18 206-19 206-20	PP207ST	R-7	1.54 0.7

Standard Stock Item is Snap Together Type and Zinc Plated.



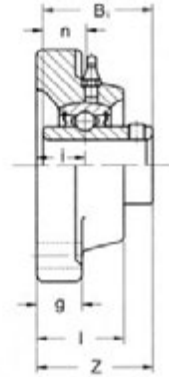
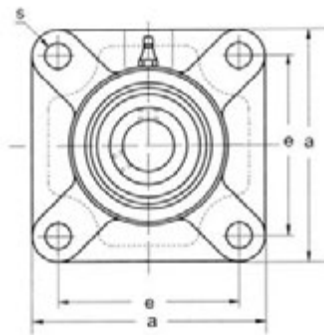
BEARING UNITS



FOUR BOLT FLANGE UNITS

UCF200 Series

Normal Duty
Set Screw Locking



Unit No.	Shaft Dia.		Dimensions inch / mm									Bolt Size	Bearing No.	Housing No.	Weight Lbs kg
	In.	mm	a	e	i	g	l	s	z	Bi	n				
UCF 201-8 202-10 204 204-12	1/2 5/8 3/4	20	3-25/64 86	2-1/2 63.5	19/32 15	7/16 11	1 25.4	15/32 12	1.5/16 33.3	1.220 31	0.500 12.7	3/8 M10	UC 201-8 202-10 204 204-12	F204	1.54 0.7
UCF 205 205-14 205-15 205-16	7/8 15/16 1	25	3-3/4 95	2-3/4 70	5/8 16	1/2 13	1-1/16 27	15/32 12	1-13/32 35.7	1.339 34	0.563 14.3	3/8 M10	UC 205 205-14 205-15 205-16	F205	1.76 0.8
UCF 206 206-17 206-18 206-19 206-20	1-1/16 1-1/8 1-3/16 1-1/4S	30	4-1/4 108	3-9/32 83	23/32 18	1/2 13	1-1/4 31	15/32 12	1-37/64 40.2	1.500 38.1	0.626 15.9	3/8 M10	UC 206 206-17 206-18 206-19 206-20	F206	2.20 1.0
UCF 207 207-20 207-21 207-22 207-23	1-1/4 1-5/16 1-3/8 1-7/16	35	4-19/32 117	3-5/8 92	3/4 19	19/32 15	1-11/32 34	9/16 14	1-3/4 44.4	1.689 42.9	0.689 17.5	7/16 M12	UC 207 207-20 207-21 207-22 207-23	F207	3.08 1.4
UCF 208 208-24 208-25	1-1/2 1-9/16	40	5-1/8 130	4-1/64 102	13/16 21	19/32 15	1-13/32 36	5/8 16	2-1/64 51.2	1.937 49.2	0.748 19	1/2 M14	UC 208 208-24 208-25	F208	3.96 1.8
UCF 209 209-26 209-27 209-28	1-5/8 1-11/16 1-3/4	45	5-25/64 137	4-1/8 105	7/8 22	5/8 16	1-1/2 38	5/8 16	2-1/16 52.2	1.937 49.2	0.748 19	1/2 M14	UC 209 209-26 209-27 209-28	F209	4.84 2.2
UCF 210 210-30 210-31 210-32	1-7/8 1-15/16 2S	50	5-5/8 143	4-3/8 111	7/8 22	5/8 16	1-9/16 40	5/8 16	2-5/32 54.6	2.031 51.6	0.748 19	1/2 M14	UC 210 210-30 210-31 210-32	F210	5.28 2.4
UCF 211 211-32 211-34 211-35	2 2-1/8 2-3/16	55	6-3/8 162	5-1/8 130	31/32 25	23/32 18	1-11/16 43	3/4 19	2-9/32 58.4	2.187 55.6	0.874 22.2	5/8 M16	UC 211 211-32 211-34 211-35	F211	7.92 3.6
UCF 212 212-36 212-37 212-38 212-39	2-1/4 2-5/16 2-3/8 2-7/16	60	6-7/8 175	5-5/8 143	1-3/16 29	23/32 18	1-7/8 48	3/4 19	2-45/64 68.7	2.563 65.1	1.000 25.4	5/8 M16	UC 212 212-36 212-37 212-38 212-39	F212	9.68 4.4
UCF 213 213-40 213-41	2-1/2 2-9/16	65	7-3/8 187	5-55/64 149	1-3/16 30	7/8 22	1-31/32 50	3/4 19	2-3/4 69.7	2.563 65.1	1.000 25.4	5/8 M16	UC 213 213-40 213-41	F213	12.10 5.5
UCF 214 214-42 214-43 214-44	2-5/8 2-11/16 2-3/4	70	7-19/32 193	5-31/32 152	1-1/4 31	7/8 22	2-1/8 54	3/4 19	2-31/32 75.4	2.937 74.6	1.189 30.2	5/8 M16	UC 214 214-42 214-43 214-44	F214	13.42 6.1
UCF 215 215-47 215-48	2-15/16 3	75	7-7/8 200	6-1/4 159	1-11/32 34	7/8 22	2-7/32 56	3/4 19	3-3/32 78.5	3.063 77.8	1.311 33.3	5/8 M16	UC 215 215-47 215-48	F215	15.18 6.9



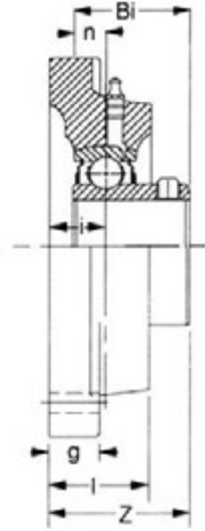
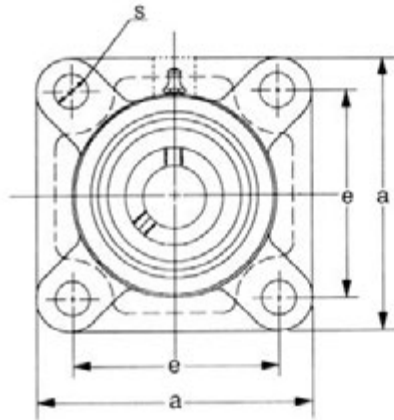
BEARING UNITS



FOUR BOLT FLANGE UNITS

SBF 200 Series

Light Duty
Set Screw Locking



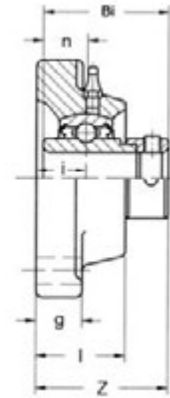
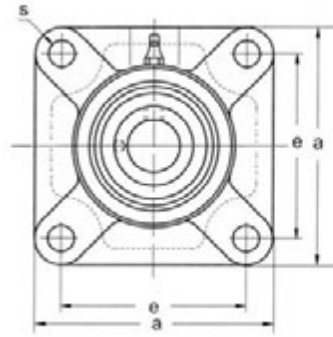
Unit No.	Shaft Dia.		Dimensions inch / mm								Bolt Size	Bearing No.	Housing No.	Weight Lbs kg	
	In.	mm	a	e	i	g	l	s	z	Bi					n
SBF 201-8 202-10	1/2 5/8		2-63/64 76	2-1/8 53.9	19/32 15	7/16 11	1-1/64 25.5	13/32 10	1-7/32 31	0.866 22	0.236 6	3/8 M10	SB 201-8 202-10	F203	0.97 0.44
SBF 204 204-12	3/4	20	3-25/64 86	2-1/2 63.5	19/32 15	7/16 11	1 25.4	15/32 12	1-19/64 32.9	0.984 25	0.276 7	3/8 M10	SB 204 204-12	F204	1.34 0.61
SBF 205 205-14 205-15 205-16	7/8 15/16 1	25	3-3/4 95	2-3/4 70	5/8 16	1/2 13	1-1/16 27	15/32 12	1-13/32 35.3	1.063 27	0.295 7.5	3/8 M10	SB 205 205-14 205-15 205-16	F205	1.87 0.85
SBF 206 206-17 206-18 206-19 206-20	1-1/16 1-1/8 1-3/16 1-1/4S	30	4-1/4 108	3-9/32 83	23/32 18	1/2 13	1-1/4 31	15/32 12	1-9/16 40	1.181 30	0.315 8	3/8 M10	SB 206 206-17 206-18 206-19 206-20	F206	2.64 1.20
SBF 207 207-20 207-21 207-22 207-23	1-1/4 1-5/16 1-3/8 1-7/16	35	4-19/32 117	3-5/8 92	3/4 19	19/32 15	1-11/32 34	9/16 14	1-43/64 42.5	1.260 32	0.335 8.5	1/2 M12	SB 207 207-20 207-21 207-22 207-23	F207	3.74 1.70
SBF 208 208-24 208-25	1-1/2 1-9/16	40	5-1/8 130	4-1/64 102	13/16 21	19/32 15	1-13/32 36	5/8 16	1-3/4 44.1	1.339 34	0.354 9	1/2 M12	SB 208 208-24 208-25	F208	4.84 2.20



BEARING UNITS



FOUR BOLT FLANGE UNITS HCFS 200 Series Normal Duty Eccentric Collar Locking



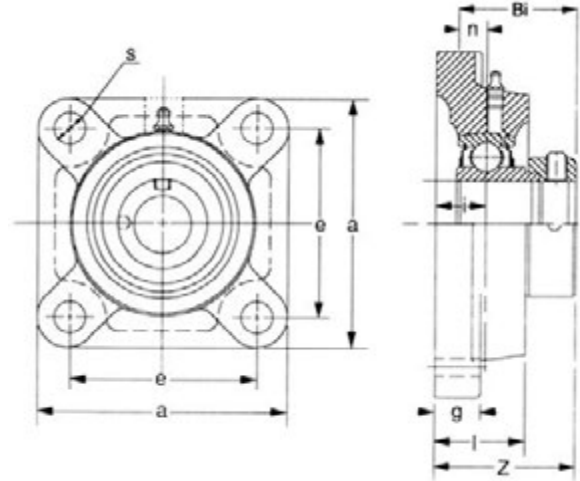
Unit No.	Shaft Dia.		Dimensions inch / mm									Bolt Size	Bearing No.	Housing No.	Weight Lbs kg
	In.	mm	a	e	i	g	l	s	z	Bi	n				
HCFS 201-8	1/2	20	3-25/64 86	2-1/2 63.5	3/4 19	19/32 15	1-11/64 29.5	15/32 12	1-51/64 45.5	1.713 43.5	0.669 17	3/8 M10	HC 201-8	FS204	1.76 0.8
202-10	5/8												202-10		
204													204		
204-12	3/4												204-12		
HCFS 205		25	3-43/64 93	2-3/4 70	3/4 19	19/32 15	1-3/16 30	15/32 12	1-13/16 45.8	1.744 44.3	0.685 17.4	3/8 M10	HC 205	FS205	1.98 0.9
205-14	7/8	205-14													
205-15	15/16	205-15													
205-16	1	205-16													
HCFS 206		30	4-11/64 106	3-1/4 82.5	25/32 20	5/8 16	1-9/32 32.5	15/32 12	1-31/32 50	1.902 48.3	0.717 18.2	3/8 M10	HC 206	FS206	2.86 1.3
206-17	1-1/16	206-17													
206-18	1-1/8	206-18													
206-19	1-3/16	206-19													
206-20	1-1/4S	206-20													
HCFS 207		35	4-9/16 116	3-5/8 92	13/16 21	21/32 17	1-3/8 35	9/16 14	2-7/64 53.3	2.012 51.1	0.740 18.8	1/2 M12	HC 207	FS207	3.96 1.8
207-20	1-1/4	207-20													
207-21	1-5/16	207-21													
207-22	1-3/8	207-22													
207-23	1-7/16	207-23													
HCFS 208		40	5-5/64 129	4 101.5	15/16 24	21/32 17	1-17/32 39	5/8 16	2-21/64 58.9	2.217 56.3	0.843 21.4	1/2 M12	HC 208	FS208	4.62 2.1
208-24	1-1/2	208-24													
208-25	1-9/16	208-25													
HCFS 209		45											5-5/16 135		
209-26	1-5/8	209-26													
209-27	1-11/16	209-27													
209-28	1-3/4	209-28													
HCFS 210		50	5-5/8 143	4-3/8 111	1-3/32 28	25/32 20	1-25/32 45	5/8 16	2-19/32 66.1	2.469 62.7	0.969 24.6	5/8 M16	HC 210	FS210	6.38 2.9
210-30	1-7/8	210-30													
210-31	1-15/16	210-31													
210-32	2S	210-32													
HCFS 211		55	6-3/8 162	5-1/8 130	1-1/4 31	13/16 21	1-59/64 49	3/4 19	2-15/16 74.6	2.811 71.4	1.091 27.7	5/8 M16	HC 211	FS211	9.24 4.2
211-32	2	211-32													
211-34	2-1/8	211-34													
211-35	2-3/16	211-35													
HCFS 212		60	6-7/8 175	5-5/8 143	1-11/32 34	7/8 22	2-7/64 53.5	3/4 19	3-11/64 80.7	3.059 77.7	1.217 30.9	5/8 M16	HC 212	FS212	11.44 5.2
212-36	2-1/4	212-36													
212-37	2-5/16	212-37													
212-38	2-3/8	212-38													
212-39	2-7/16	212-39													
HCFS 213		65	7-1/4 184	5-55/64 149	1-1/2 38	7/8 22	2-9/32 58	3/4 19	3-35/64 89.6	3.374 85.7	1.343 34.1	5/8 M16	HC 213	FS213	13.42 6.1
213-40	2-1/2	213-40													
213-41	2-9/16	213-41													
HCFS 214		70											7-13/32 188		
214-42	2-5/8	214-42													
214-43	2-11/16	214-43													
214-44	2-3/4	214-44													
HCFS 215		75	7-7/8 200	6-1/4 159	1-5/8 41	15/16 24	2-7/16 62	3/4 19	3-25/32 95.8	3.626 92.1	1.469 37.3	5/8 M16	HC 215	FS215	16.50 7.5
215-45	2-13/16	215-45													
215-46	2-7/8	215-46													
215-47	2-15/16	215-47													
215-48	3	215-48													



BEARING UNITS



FOUR BOLT FLANGE UNITS SAF 200 Series Light Duty Eccentric Collar Locking



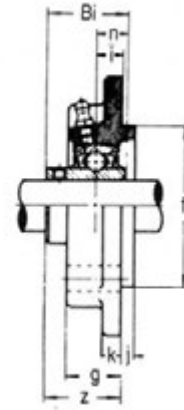
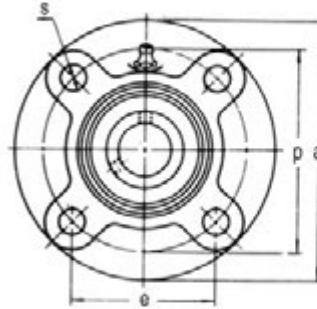
Unit No.	Shaft Dia.		Dimensions inch / mm								Bolt Size	Bearing No.	Housing No.	Weight Lbs kg	
	In.	mm	a	e	i	g	l	s	z	Bi					n
SAF 201-8 202-10	1/2 5/8		2-63/64 76	2-1/8 54	19/32 15	7/16 11	1-1/64 25.5	13/32 10	1-15/32 37.6	1.125 28.6	0.236 6	3/8 M10	SA 201-8 202-10	F203	1.14 0.52
SAF 204 204-12	3/4	20	3-25/64 86	2-1/2 63.5	19/32 15	7/16 11	1 25.4	15/32 12	1-33/64 38.5	1.220 31	0.276 7	3/8 M10	SA 204 204-12	F204	1.43 0.65
SAF 205 205-14 205-15 205-16	7/8 15/16 1	25	3-3/4 95	2-3/4 70	5/8 16	1/2 13	1-1/16 27	15/32 12	1-35/64 39.3	1.220 31	0.295 7.5	3/8 M10	SA 205 205-14 205-15 205-16	F205	1.98 0.90
SAF 206 206-17 206-18 206-19 206-20	1-1/16 1-1/8 1-3/16 1-1/4S	30	4-1/4 108	3-9/32 83	23/32 18	1/2 13	1-1/4 31	15/32 12	1-49/64 44.8	1.406 35.7	0.315 8	3/8 M10	SA 206 206-17 206-18 206-19 206-20	F206	2.75 1.25
SAF 207 207-20 207-21 207-22 207-23	1-1/4 1-5/16 1-3/8 1-7/16	35	4-19/32 117	3-5/8 92	3/4 19	19/32 15	1-11/32 34	9/16 14	1-29/32 48.4	1.531 38.9	0.335 8.5	7/16 M12	SA 207 207-20 207-21 207-22 207-23	F207	3.74 1.70
SAF 208 208-24 208-25	1-1/2 1-9/16	40	5-1/8 130	4-1/64 102	13/16 21	19/32 15	1-13/32 36	5/8 16	2-7/64 53.6	1.720 43.7	0.354 9	1/2 M14	SA 208 208-24 208-25	F208	4.84 2.20
SAF 209 209-26 209-27 209-28	1-5/8 1-11/16 1-3/4	45	5-13/32 137.3	4-1/8 105	7/8 22	5/8 16	1-1/2 38	5/8 16	2-5/32 54.8	1.720 43.7	0.374 9.5	1/2 M14	SA 209 209-26 209-27 209-28	F209	5.50 2.50
SAF 210 210-30 210-31 210-32	1-7/8 1-15/16 2S	50	5-5/8 142.9	4-3/8 111	7/8 22	5/8 16	1-9/16 40	5/8 16	2-5/32 54.8	1.720 43.7	0.394 10	1/2 M14	SA 210 210-30 210-31 210-32	F210	6.16 2.80



BEARING UNITS



FLANGE CARTRIDGE UNITS - Metric Pilot Diameter UCFC 200 Series Normal Duty Set Screw Locking



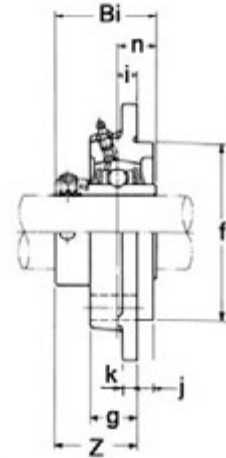
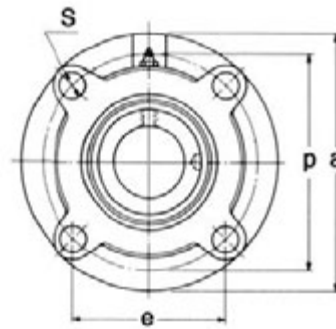
Unit No.	Shaft Dia.		Dimensions inch / mm												Bolt Size	Bearing No.	Housing No.	Weight Lbs kg
	In.	mm	a	p	e	i	s	j	k	g	f	z	Bi	n				
UCFC 201-8 202-10 204	1/2 5/8	20	3-15/16 100	78	2-1/64 55.1	13/32 10	15/32 12	0.197 5	9/32 7	13/16 20.5	62	1-1/8 28.3	1.220 31	0.500 12.7	M10 3/8	UC 201-8 202-10 204	FC204	1.76 0.8
UCFC 204-12	3/4	25	4-17/32 115	90	2-1/2 63.6	13/32 10	15/32 12	0.236 6	9/32 7	13/16 21	70	1-11/64 29.7	1.339 34	0.563 14.3	M10 3/8	UC 205 205-14 205-15 205-16	FC205	2.20 1
UCFC 205	7/8 15/16	30	4-29/32 125	100	2-25/32 70.7	13/32 10	15/32 12	5/16 8	5/16 8	29/32 23	80	1-17/64 32.2	1.500 38.1	0.626 15.9	M10 3/8	UC 206 206-17 206-18 206-19 206-20	FC206	2.86 1.3
UCFC 206-17 206-18 206-19 206-20	1-1/16 1-1/8 1-3/16 1-1/4S	35	5-5/16 135	110	3-1/16 77.8	7/16 11	9/16 14	5/16 8	11/32 9	1-1/32 26	90	1-7/16 36.4	1.689 42.9	0.689 17.5	M12 7/16	UC 207 207-20 207-21 207-22 207-23	FC207	3.52 1.6
UCFC 207	1-1/4 1-5/16	40	5-23/32 145	120	3-21/64 84.4	7/16 11	9/16 14	13/32 10	11/32 9	1-1/32 26	100	27/32 21.2	1.937 49.2	0.748 19	M12 7/16	UC 208 208-24 208-25	FC208	4.62 2.1
UCFC 208-24 208-25	1-1/2 1-9/16	45	6-5/16 160	132	3-43/64 93.3	13/32 10	5/8 16	15/32 12	9/16 14	1-1/32 26	105	1-37/64 40.2	1.937 49.2	0.748 19	M14 1/2	UC 209 209-26 209-27 209-28	FC209	5.94 2.7
UCFC 209	1-5/8 1-11/16 1-3/4	50	6-1/2 165	138	3-27/32 97.6	13/32 10	5/8 16	15/32 12	9/16 14	1-3/32 28	110	1-11/16 42.6	2.031 51.6	0.748 19	M14 1/2	UC 210 210-30 210-31 210-32	FC210	6.82 3.1
UCFC 210-30 210-31 210-32	1-7/8 1-15/16 2S	55	7-9/32 185	150	4-3/16 106.1	1/2 13	3/4 19	15/32 12	19/32 15	1-1/4 31	125	1-53/64 46.4	2.187 55.6	0.874 22.2	M16 5/8	UC 211 211-32 211-34 211-35	FC211	9.24 4.2
UCFC 211	2 2-1/8 2-3/16	60	7-11/16 195	160	4-1/2 113.1	21/32 17	3/4 19	15/32 12	19/32 15	1-13/32 36	135	2-15/64 56.7	2.563 65.1	1 25.4	M16 5/8	UC 212 212-36 212-37 212-38 212-39	FC212	11.66 5.3
UCFC 212-36 212-37 212-38 212-39	2-1/4 2-5/16 2-3/8 2-7/16																	



BEARING UNITS



FLANGE CARTRIDGE UNITS - Metric Pilot Diameter HCFC 200 Series Normal Duty Eccentric Collar Locking



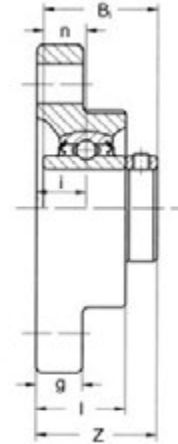
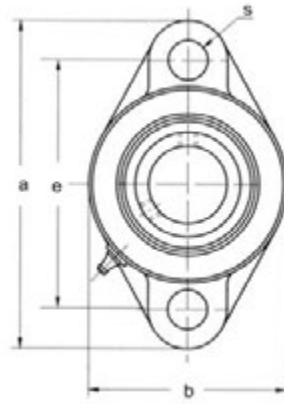
Unit No.	Shaft Dia.		Dimensions											Bolt Size	Bearing No.	Housing No.	Weight Lbs kg	
	in.	mm	a	p	e	i	s	j	k	g	f	z	Bi					n
HCFC 201-8 202-10 204	1/2 5/8	20	3-15/16 100	78	2-1/64 55.1	13/32 10	15/32 12	0.197 5	9/32 7	13/16 20.5	62	1-1/8 28.3	1.713 43.5	0.669 17	3/8 M10	HC 201-8 202-10 204	FC204	1.76 0.8
HCFC 205 205-14 205-15 205-16	7/8 15/16 1	25	4-17/32 115	90	2-1/2 63.6	13/32 10	15/32 12	0.236 6	9/32 7	13/16 21	70	1-11/64 29.7	1.744 44.3	0.685 17.4	3/8 M10	HC 205 205-14 205-15 205-16	FC205	2.2 1
HCFC 206 206-17 206-18 206-19 206-20	1-1/16 1-1/8 1-3/16 1-1/4S	30	4-29/32 125	100	2-25/32 70.7	13/32 10	15/32 12	5/16 8	5/16 8	29/32 23	80	1-17/64 32.2	1.902 48.3	0.717 18.2	3/8 M10	HC 206 206-17 206-18 206-19 206-20	FC206	2.86 1.3
HCFC 207 207-20 207-21 207-22 207-23	1-1/4 1-5/16 1-3/8 1-7/16	35	5-5/16 135	110	3-1/16 77.8	7/16 11	9/16 14	5/16 8	11/32 9	1-1/32 26	90	1-7/16 36.4	2.012 51.1	0.740 18.8	7/16 M12	HC 207 207-20 207-21 207-22 207-23	FC207	3.52 1.6
HCFC 208 208-24 208-25	1-1/2 1-9/16	40	2-23/32 145	120	3-21/64 84.4	7/16 11	9/16 14	13/32 10	11/32 9	1-1/32 26	100	27/32 21.2	2.217 56.3	0.843 21.4	7/16 M12	HC 208 208-24 208-25	FC208	4.62 2.1
HCFC 209 209-26 209-27 209-28	1-5/8 1-11/16 1-3/4	45	6-5/16 160	132	3-43/64 93.3	13/32 10	5/8 16	15/32 12	9/16 14	1-1/32 26	105	1-37/64 40.2	2.217 56.3	0.843 21.4	1/2 M14	HC 209 209-26 209-27 209-28	FC209	5.94 2.7
HCFC 210 210-30 210-31 210-32	1-7/8 1-15/16 2S	50	6-1/2 165	138	3-27/32 97.6	13/32 10	5/8 16	15/32 12	9/16 14	1-3/32 28	110	1-11/16 42.6	2.469 62.7	0.969 24.6	1/2 M14	HC 210 210-30 210-31 210-32	FC210	6.82 3.1
HCFC 211 211-32 211-34 211-35	2 2-1/8 2-3/16	55	7-9/32 185	150	4-3/16 106.1	1/2 13	3/4 19	15/32 12	19/32 15	1-1/4 31	125	1-53/64 46.4	2.811 71.4	1.091 27.7	5/8 M16	HC 211 211-32 211-34 211-35	FC211	9.24 4.2
HCFC 212 212-36 212-37 212-38 212-39	2-1/4 2-5/16 2-3/8 2-7/16	60	7-11/16 195	160	4-1/2 113.1	21/32 17	3/4 19	15/32 12	19/32 15	1-13/32 36	135	2-15/64 56.7	3.059 77.7	1.217 30.9	5/8 M16	HC 212 212-36 212-37 212-38 212-39	FC212	11.66 5.3



BEARING UNITS



TWO BOLT FLANGE UNITS UCFL 200 Series Normal Duty Set Screw Locking



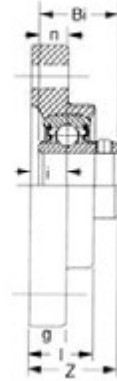
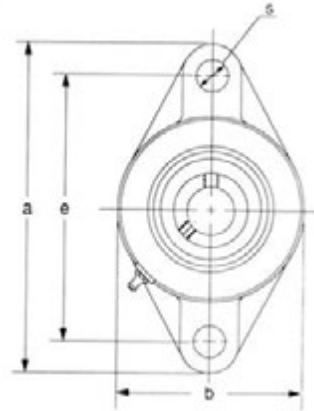
Unit No.	Shaft Dia.		Dimensions inch / mm									Bolt Size	Bearing No.	Housing No.	Weight Lbs kg	
	In.	mm	a	e	i	g	l	s	b	z	Bi					n
UCFL 201-8 202-10 204-12 204	1/2 5/8 3/4	20	4-7/16 113	3-17/32 90	19/32 15	7/16 11	1 25.5	15/32 12	2-3/8 60	1-5/16 33.3	1.220 31	0.500 12.7	M10 3/8	UC 201-8 202-10 204-12 204	FL204	1.10 0.5
UCFL 205 205-14 205-15 205-16	7/8 15/16 1	25	5-1/8 130	3-57/64 99	5/8 16	1/2 13	1-1/16 27	5/8 16	2-11/16 68	1-13/32 35.7	1.339 34	0.563 14.3	M14 1/2	UC 205 205-14 205-15 205-16	FL205	1.32 0.6
UCFL 206 206-17 206-18 206-19 206-20	1-1/16 1-1/8 1-3/16 1-1/4S	30	5-13/16 148	4-19/32 117	23/32 18	1/2 13	1-1/4 31	5/8 16	3-5/32 80	1-37/64 40.2	1.500 38.1	0.626 15.9	M14 1/2	UC 206 206-17 206-18 206-19 206-20	FL206	1.98 0.9
UCFL 207 207-20 207-21 207-22 207-23	1-1/4 1-5/16 1-3/8 1-7/16	35	6-11/32 161	5-1/8 130	3/4 19	19/32 15	1-11/32 34	5/8 16	3-35/64 90	1-3/4 44.4	1.689 42.9	0.689 17.5	M14 1/2	UC 207 207-20 207-21 207-22 207-23	FL207	2.64 1.2
UCFL 208 208-24 208-25	1-1/2 1-9/16	40	6-7/8 175	5-11/16 144	13/16 21	19/32 15	1-13/32 36	5/8 16	3-15/16 100	2-1/64 51.2	1.937 49.2	0.748 19	M14 1/2	UC 208 208-24 208-25	FL208	3.52 1.6
UCFL 209 209-26 209-27 209-28	1-5/8 1-11/16 1-3/4	45	7-13/32 188	5-13/16 148	7/8 22	5/8 16	1-1/2 38	3/4 19	4-1/4 108	2-1/16 52.2	1.937 49.2	0.748 19	M16 5/8	UC 209 209-26 209-27 209-28	FL209	4.18 1.9
UCFL 210 210-30 210-31 210-32	1-7/8 1-15/16 2S	50	7-3/4 197	6-3/16 157	7/8 22	5/8 16	1-9/16 40	3/4 19	4-9/16 116	2-5/32 54.6	2.031 51.6	0.748 19	M16 5/8	UC 210 210-30 210-31 210-32	FL210	4.84 2.2
UCFL 211 211-32 211-34 211-35	2 2-1/8 2-3/16	55	8-13/16 224	7-1/4 184	31/32 25	23/32 18	1-11/16 43	3/4 19	5-1/8 130	2-9/32 58.4	2.187 55.6	0.874 22.2	M16 5/8	UC 211 211-32 211-34 211-35	FL211	6.82 3.1
UCFL 212 212-36 212-37 212-38 212-39	2-1/4 2-5/16 2-3/8 2-7/16	60	9-27/32 250	7-61/64 202	1-3/16 29	23/32 18	1-7/8 48	29/32 23	5-1/2 140	2-45/64 68.7	2.563 65.1	1.000 25.4	M20 3/4	UC 212 212-36 212-37 212-38 212-39	FL212	8.80 4
UCFL 213 213-40 213-41	2-1/2 2-9/16	65	10-5/32 258	8-9/32 210	1-3/16 30	25/32 20	1-31/32 50	29/32 23	6-3/32 155	2-3/4 69.7	2.563 65.1	1.000 25.4	M20 3/4	UC 213 213-40 213-41	FL213	11.00 5
UCFL 214 214-42 214-43 214-44	2-5/8 2-11/16 2-3/4	70	10-7/16 265	8-1/2 216	1-1/4 31	25/32 20	2-1/8 54	29/32 23	6-5/16 160	2-31/32 75.4	2.937 74.6	1.189 30.2	M20 3/4	UC 214 214-42 214-43 214-44	FL214	12.32 5.6
UCFL 215 215-45 215-46 215-47 215-48	2-13/16 2-7/8 2-15/16 3	75	10-13/16 275	8-55/64 225	1-11/32 34	25/32 20	2-7/32 56	29/32 23	6-1/2 165	3-3/32 78.5	3.063 77.8	1.311 33.3	M20 3/4	UC 215 215-45 215-46 215-47 215-48	FL215	13.64 6.2



BEARING UNITS



TWO BOLT FLANGE UNITS UCFT 200 Series Normal Duty Set Screw Locking



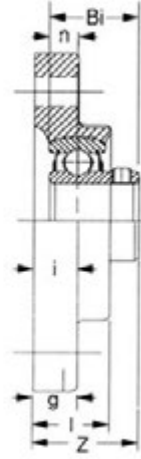
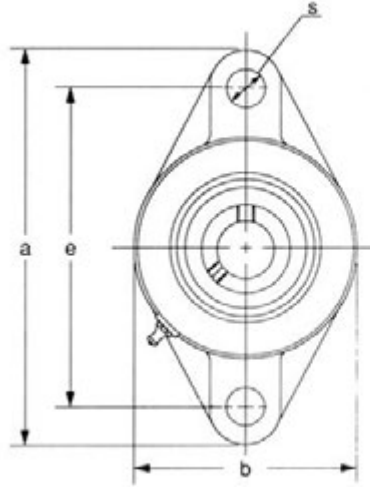
Unit No.	Shaft Dia.		Dimensions inch / mm									Bolt Size	Bearing No.	Housing No.	Weight Lbs kg	
	In.	mm	a	e	i	g	l	s	b	z	Bi					n
UCFT 201-8	1/2													UC 201-8		
202-10	5/8		4-7/16	3-35/64	3/4	19/32	1-11/64	29/64	2-13/32	1-15/32	1.220	0.500	5/16	UC 202-10	FT204	1.10
204		20	112.5	90	19	15	29.5	11.5	61	37.3	31	12.7	M8	204		0.5
204-12	3/4													UC 204-12		
UCFT 205		25												UC 205		
205-14	7/8		4-29/32	3-57/64	3/4	19/32	1-3/16	29/64	2-3/4	1-17/32	1.339	0.563	3/8	UC 205-14	FT205	1.32
205-15	15/16		125	99	19	15	30	11.5	70	38.7	34	14.3	M10	205-15		0.6
205-16	1													UC 205-16		
UCFT 206		30												UC 206		
206-17	1-1/16		5-19/32	4-19/32	25/32	5/8	1-9/32	29/64	3-3/16	1-43/64	1.500	0.626	3/8	UC 206-17	FT206	1.98
206-18	1-1/8		142	116.5	20	16	32.5	11.5	82	42.2	38.1	15.9	M10	206-18		0.9
206-19	1-3/16													UC 206-19		
206-20	1-1/4S													UC 206-20		
UCFT 207		35												UC 207		
207-20	1-1/4		6-3/16	5-1/8	13/16	21/32	1-13/32	9/16	3-11/16	1-53/64	1.689	0.689	7/16	UC 207-20	FT207	2.64
207-21	1-5/16		156	130	21	17	36	14	94	46.4	42.9	17.5	M12	207-21		1.2
207-22	1-3/8													UC 207-22		
207-23	1-7/16													UC 207-23		
UCFT 208		40												UC 208		
208-24	1-1/2		6-25/32	5-41/64	15/16	21/32	1-17/32	9/16	4-5/64	2-1/8	1.937	0.748	7/16	UC 208-24	FT208	3.52
208-25	1-9/16		172	143.5	24	17	39	14	103	54.2	49.2	19	M12	208-25		1.6
UCFT 209		45												UC 209		
209-26	1-5/8		7-3/32	5-27/32	15/16	23/32	1-9/16	5/8	4-1/4	2-1/8	1.937	0.748	7/16	UC 209-26	FT209	4.18
209-27	1-11/16		180	148.5	24	18	40	16	108	54.2	49.2	19	M12	209-27		1.9
209-28	1-3/4													UC 209-28		
UCFT 210		50												UC 210		
210-30	1-7/8		7-15/32	6-3/16	1-3/32	25/32	1-25/32	23/32	4-1/2	2-25/64	2.031	0.748	1/2	UC 210-30	FT210	4.84
210-31	1-15/16		190	157	28	20	45	18	114	60.6	51.6	19	M14	210-31		2.2
210-32	2S													UC 210-32		
UCFT 211		55												UC 211		
211-32	2		8-17/32	7-1/4	1-1/4	13/16	1-7/8	23/32	5-5/64	2-33/64	2.187	0.874	5/8	UC 211-32	FT211	6.82
211-34	2-1/8		217	184	31	21	48	18	128	64.4	55.6	22.2	M16	211-34		3.1
211-35	2-3/16													UC 211-35		
UCFT 212		60												UC 212		
212-36	2-1/4		9-1/4	7-61/64	1-11/32	13/16	2-3/32	23/32	5-7/16	2-29/32	2.563	1.000	5/8	UC 212-36	FT212	8.80
212-37	2-5/16		235	202	34	21	53	18	138	73.7	65.1	25.4	M16	212-37		4
212-38	2-3/8													UC 212-38		
212-39	2-7/16													UC 212-39		
UCFT 213		65												UC 213		
213-40	2-1/2		9-3/4	8-9/32	1-1/2	7/8	2-7/32	13/16	5-31/32	3-1/16	2.563	1.000	3/4	UC 213-40	FT213	11.00
			248	210	38	22	56	20.5	152	77.7	65.1	25.4	M18			5
UCFT 214		70												UC 214		
214-42	2-5/8		10-1/8	8-1/2	1-1/2	29/32	2-9/32	13/16	6-3/16	3-1/4	2.937	1.189	3/4	UC 214-42	FT214	12.32
214-43	2-11/16		257	216	38	23	58	20.5	157	82.4	74.6	30.2	M18	214-43		5.6
214-44	2-3/4													UC 214-44		
UCFT 215		75												UC 215		
215-45	2-13/16													UC 215-45	FT215	13.64
215-46	2-7/8		10-15/32	8-55/64	1-5/8	15/16	2-7/16	13/16	6-7/16	3-3/8	3.063	1.311	3/4	UC 215-46		6.2
215-47	2-15/16		266	225	41	24	62	20.5	164	85.5	77.8	33.3	M18	215-47		
215-48	3													UC 215-48		



BEARING UNITS



TWO BOLT FLANGE UNITS
SBFL 200 Series
 Light Duty
 Set Screw Locking



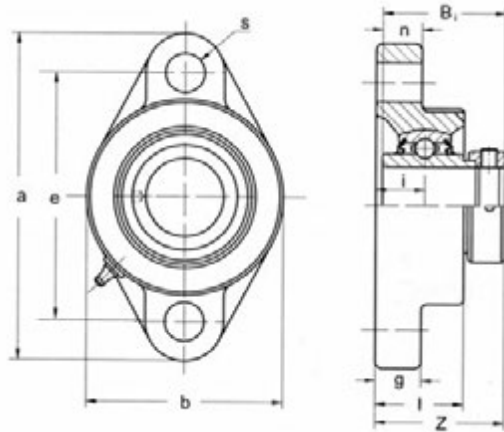
Unit No.	Shaft Dia.		Dimensions										Bolt Size	Bearing No.	Housing No.	Weight Lbs kg
	In.	mm	a	e	i	g	l	s	b	z	Bi	n				
SBFL 201-8 202-10	1/2 5/8		3-57/64 99	2-63/64 76	1/2 13	13/32 10	1 22	15/32 12	2-1/8 54	1-3/16 29	0.866 22	0.236 6.0	3/8 M10	SB 201-8 202-10	FL203	0.84 0.38
SBFL 204 204-12	3/4	20	4-7/16 113	3-35/64 90	19/32 15	7/16 11	1 25.5	15/32 12	2-3/8 60	1-19/64 33	0.984 25	0.276 7.0	3/8 M10	SB 204 204-12	FL204	0.88 0.40
SBFL 205 205-14 205-15 205-16	7/8 15/16 1	25	5-1/8 130	3-57/64 99	5/8 16	1/2 13	1-1/16 27	5/8 16	2-11/16 68	1-13/32 35.5	1.063 27	0.295 7.5	1/2 M14	SB 205 205-14 205-15 205-16	FL205	1.10 0.5
SBFL 206 206-17 206-18 206-19 206-20	1-1/16 1-1/8 1-3/16 1-1/4S	30	5-13/16 148	4-19/32 117	23/32 18	1/2 13	1-1/4 31	5/8 16	3-5/32 80	1-9/16 40.0	1.181 30	0.315 8.0	1/2 M14	SB 206 206-17 206-18 206-19 206-20	FL206	1.76 0.8
SBFL 207 207-20 207-21 207-22 207-23	1-1/4 1-5/16 1-3/8 1-7/16	35	6-11/32 161	5-1/8 130	3/4 19	19/32 15	1-11/32 34	5/8 16	3-35/64 90	1-43/64 42.5	1.260 32	0.335 8.5	1/2 M14	SB 207 207-20 207-21 207-22 207-23	FL207	2.60 1.18
SBFL 208 208-24 208-25	1-1/2 1-9/16	40	6-7/8 175	5-11/16 144	13/16 21	19/32 15	1-13/32 36	5/8 16	3-15/16 100	1-13/16 46	1.339 34	0.354 9.0	1/2 M14	SB 208 208-24 208-25	FL208	3.39 1.54



BEARING UNITS



TWO BOLT FLANGE UNITS HCFT 200 Series Normal Duty Eccentric Collar Locking



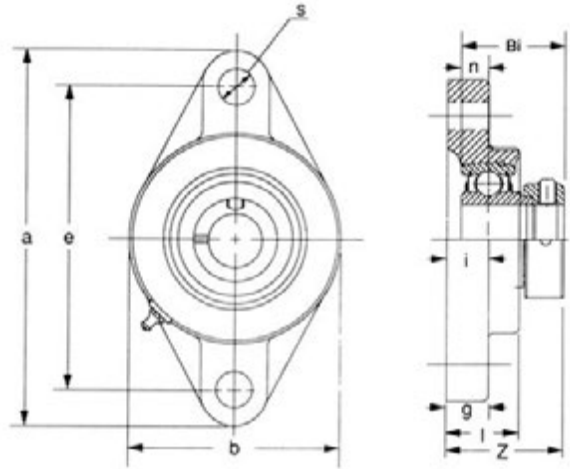
Unit No.	Shaft Dia.		Dimensions inch / mm									Bolt Size	Bearing No.	Housing No.	Weight Lbs kg	
	In.	mm	a	e	i	g	l	s	b	z	Bi					n
HCFT 201-8 202-10 204 204-12	1/2 5/8 3/4	20	4-7/16 112.5	3-35/64 90	3/4 19	19/32 15	1-11/64 29.5	29/64 11.5	2-13/32 61	1-51/64 45.4	1.713 43.5	0.673 17.1	5/16 M8	HC 201-8 202-10 204 204-12	FT204	1.32 0.6
HCFT 205 205-14 205-15 205-16	7/8 15/16 1	25	4-29/32 125	3-57/64 99	3/4 19	19/32 15	1-3/16 30	29/64 11.5	2-3/4 70	1-13/16 45.8	1.744 44.3	0.689 17.5	3/8 M10	HC 205 205-14 205-15 205-16	FT205	1.76 0.8
HCFT 206 206-17 206-18 206-19 206-20	1-1/16 1-1/8 1-3/16 1-1/45	30	5-19/32 142	4-19/32 116.5	25/32 20	5/8 16	1-9/32 32.5	29/64 11.5	3-3/16 82	1-31/32 50	1.902 48.3	0.720 18.3	3/8 M10	HC 206 206-17 206-18 206-19 206-20	FT206	2.42 1.1
HCFT 207 207-20 207-21 207-22 207-23	1-1/4 1-5/16 1-3/8 1-7/16	35	6-3/16 156	5-1/8 130	13/16 21	21/32 17	1-13/32 36	9/16 14	3-11/16 94	2-3/32 53.3	2.012 51.1	0.740 18.8	7/16 M12	HC 207 207-20 207-21 207-22 207-23	FT207	3.08 1.4
HCFT 208 208-24 208-25	1-1/2 1-9/16	40	6-25/32 172	5-41/64 143.5	15/16 24	21/32 17	1-17/32 39	9/16 14	4-5/64 103	2-21/64 58.9	2.217 56.3	0.843 21.4	7/16 M12	HC 208 208-24 208-25	FT208	3.96 1.8
HCFT 209 209-26 209-27 209-28	1-5/8 1-11/16 1-3/4	45	7-3/32 180	5-27/32 148.5	15/16 24	23/32 18	1-9/16 40	5/8 16	4-1/4 108	2-21/64 58.9	2.217 56.3	0.843 21.4	7/16 M12	HC 209 209-26 209-27 209-28	FT209	4.62 2.1
HCFT 210 210-30 210-31 210-32	1-7/8 1-15/16 25	50	7-15/32 190	6-3/16 157	1-3/32 28	25/32 20	1-25/32 45	23/32 18	4-1/2 114	2-19/32 66.1	2.469 62.7	0.969 24.6	1/2 M14	HC 210 210-30 210-31 210-32	FT210	5.50 2.5
HCFT 211 211-32 211-34 211-35	2 2-1/8 2-3/16	55	8-17/32 217	7-1/4 184	1-1/4 31	13/16 21	1-7/8 48	23/32 18	5-5/64 128	2-15/16 74.6	2.811 71.4	1.094 27.8	5/8 M16	HC 211 211-32 211-34 211-35	FT211	7.70 3.5
HCFT 212 212-36 212-37 212-38 212-39	2-1/4 2-5/16 2-3/8 2-7/16	60	9-1/4 235	7-61/64 202	1-11/32 34	13/16 21	2-3/32 53	23/32 18	5-7/16 138	3-5/32 80.1	3.059 77.7	1.220 31.0	5/8 M16	HC 212 212-36 212-37 212-38 212-39	FT212	9.90 4.5
HCFT 213 213-40	2-1/2	65	9-3/4 248	8-9/32 210	1-1/2 38	7/8 22	2-7/32 56	13/16 20.5	5-31/32 152	3-35/64 89.6	3.374 85.7	1.346 34.2	3/4 M18	HC 213 213-40	FT213	12.32 5.6
HCFT 214 214-42 214-43 214-44	2-5/8 2-11/16 2-3/4	70	10-1/8 257	8-1/2 216	1-1/2 38	29/32 23	2-9/32 58	13/16 20.5	6-3/16 157	3-35/64 89.6	3.374 85.7	1.339 34	3/4 M18	HC 214 214-42 214-43 214-44	FT214	12.54 5.7
HCFT 215 215-45 215-46 215-47 215-48	2-13/16 2-7/8 2-15/16 3	75	10-15/32 266	8-55/64 225	1-5/8 41	15/16 24	2-7/16 62	13/16 20.5	6-7/16 164	3-25/32 95.8	3.626 92.1	1.469 37.3	3/4 M18	HC 215 215-45 215-46 215-47 215-48	FT215	14.52 6.6



BEARING UNITS



TWO BOLT FLANGE UNITS SAFL 200 Series Light Duty Eccentric Collar Locking



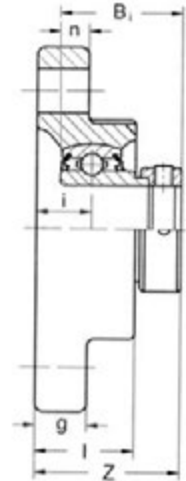
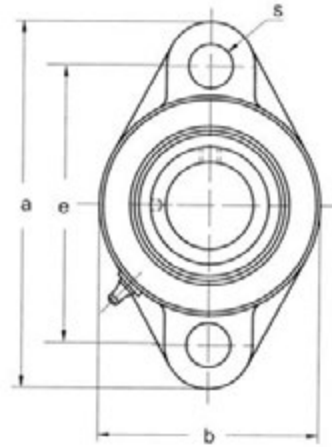
Unit No.	Shaft Dia.		Dimensions inch / mm										Bolt Size	Bearing No.	Housing No.	Weight Lbs kg
	In.	mm	a	e	i	g	l	s	b	z	Bi	n				
SAFL 201-8 202-10	1/2 5/8		3-57/64 99	2-63/64 76	1/2 13	13/32 10	1 22	15/32 12	2-1/8 54	1-13/32 35.6	1.126 28.6	0.236 6.0	3/8 M10	SA 201-8 202-10	FL203	0.90 0.41
SAFL 204 204-12	3/4	20	4-7/16 113	3-35/64 90	19/32 15	7/16 11	1 25.5	15/32 12	2-3/8 60	1-17/32 39	1.220 31	0.276 7.0	3/8 M10	SA 204 204-12	FL204	0.95 0.43
SAFL 205 205-14 205-15 205-16	7/8 15/16 1	25	5-1/8 130	3-57/64 99	5/8 16	1/2 13	1-1/16 27	5/8 16	2-11/16 68	1-9/16 39.5	1.220 31	0.295 7.5	1/2 M14	SA 205 205-14 205-15 205-16	FL205	1.17 0.53
SAFL 206 206-17 206-18 206-19 206-20	1-1/16 1-1/8 1-3/16 1-1/4S	30	5-13/16 148	4-19/32 117	23/32 18	1/2 13	1-1/4 31	5/8 16	3-5/32 80	1-51/64 45.7	1.406 35.7	0.315 8.0	1/2 M14	SA 206 206-17 206-18 206-19 206-20	FL206	1.85 0.84
SAFL 207 207-20 207-21 207-22 207-23	1-1/4 1-5/16 1-3/8 1-7/16	35	6-11/32 161	5-1/8 130	3/4 19	19/32 15	1-11/32 34	5/8 16	3-35/64 90	1-15/16 49.4	1.531 38.9	0.335 8.5	1/2 M14	SA 207 207-20 207-21 207-22 207-23	FL207	2.77 1.26
SAFL 208 208-24 208-25	1-1/2 1-9/16	40	6-7/8 175	5-11/16 144	13/16 21	19/32 15	1-13/32 36	5/8 16	3-15/16 100	2-3/16 55.7	1.720 43.7	0.354 9.0	1/2 M14	SA 208 208-24 208-25	FL208	3.48 1.58
SAFL 209 209-26 209-27 209-28	1-5/8 1-11/16 1-3/4	45	7-13/32 188	5-13/16 148	7/8 22	5/8 16	1-1/2 38	3/4 19	4-1/4 108	2-7/32 56.2	1.720 43.7	0.374 9.5	5/8 M16	SA 209 209-26 209-27 209-28	FL209	4.40 2
SAFL 210 210-30 210-31 210-32	1-7/8 1-15/16 2S	50	7-3/4 197	6-3/16 157	7/8 22	5/8 16	1-9/16 40	3/4 19	4-9/16 116	2-3/16 55.7	1.720 43.7	0.394 10.0	5/8 M16	SA 210 210-30 210-31 210-32	FL210	4.95 2.25



BEARING UNITS



TWO BOLT FLANGE UNITS SAFT 200 Series Light Duty Eccentric Collar Locking



Unit No.	Shaft Dia.		Dimensions inch / mm										Bolt Size	Bearing No.	Housing No.	Weight Lbs kg
	In.	mm	a	e	i	g	l	s	b	z	Bi	n				
SAFT 204 204-12	3/4	20	4-7/16 112.5	3-35/64 90	3/4 19	19/32 15	1-11/64 29.5	29/64 11.5	2-13/32 61	1.694 43	1.220 31	0.276 7.0	5/16 M8	SA 204 204-12	FT204	0.95 0.43
SAFT 205 205-14 205-15 205-16	7/8 15/16 1	25	4-29/32 125	3-57/64 99	3/4 19	19/32 15	1-3/16 30	29/64 11.5	2-3/4 70	1.694 43	1.220 31	0.295 7.5	3/8 M10	SA 205 205-14 205-15 205-16	FT205	1.17 0.53
SAFT 206 206-17 206-18 206-19 206-20	1-1/16 1-1/8 1-3/16 1-1/4S	30	5-19/32 142	4-15/32 116.5	25/32 20	5/8 16	1-9/32 32.5	29/64 11.5	3-3/16 82	1.872 47.5	1.406 35.7	0.315 8.0	3/8 M10	SA 206 206-17 206-18 206-19 206-20	FT206	1.85 0.84
SAFT 207 207-20 207-21 207-22 207-23	1-1/4 1-5/16 1-3/8 1-7/16	35	6-3/16 156	5-1/8 130	13/16 21	21/32 17	1-13/32 36	9/16 14	3-11/16 94	2.01 51	1.531 38.9	0.335 8.5	7/16 M12	SA 207 207-20 207-21 207-22 207-23	FT207	2.77 1.26
SAFT 208 208-24 208-25	1-1/2 1-9/16	40	6-25/32 172	5-41/64 143.5	15/16 24	21/32 17	1-17/32 39	9/16 14	4-5/64 103	2.304 58.5	1.720 43.7	0.354 9.0	7/16 M12	SA 208 208-24 208-25	FT208	3.48 1.58
SAFT 209 209-26 209-27 209-28	1-5/8 1-11/16 1-3/4	45	7-3/32 180	5-27/32 148.5	15/16 24	23/32 18	1-9/16 40	5/8 16	4-1/4 108	2.315 59	1.720 43.7	0.374 9.5	7/16 M12	SA 209 209-26 209-27 209-28	FT209	4.4 2.0
SAFT 210 210-30 210-31 210-32	1-7/8 1-15/16 2S	50	7-15/32 190	6-3/16 157	1-3/32 28	25/32 20	1-25/32 45	23/32 18	4-1/2 114	2.42 61.5	1.720 43.7	0.394 10	1/2 M14	SA 210 210-30 210-31 210-32	FT210	4.95 2.25



BEARING UNITS



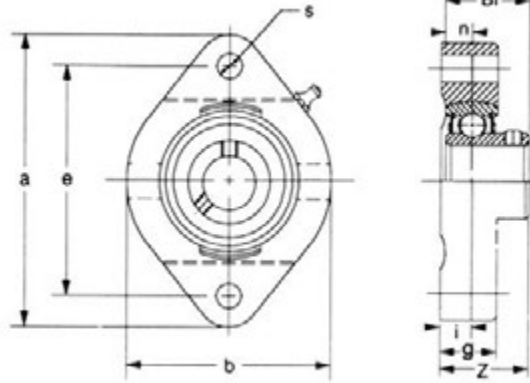
TWO BOLT FLANGE UNITS - Flush Mount Design

SBFD 200 Series

Light Duty

Set Screw Locking

Round Bolt Holes



Unit No.	Shaft Dia.		Dimensions (mm)									Bolt Size	Bearing No.	Housing No.	Weight Lbs kg
	In.	mm	a	e	i	g	s	b	z	Bi	n				
SBFD 201-8 202-10	1/2 5/8		3-3/16 81	2-15/32 63	0.335 8.5	19/32 15	5/16 8	2-21/64 59	15/16 23.8	0.866 22	0.236 6	1/4 M6	SB 201-8 202-10	FD203	0.70 0.32
SBFD 204 204-12	3/4	20	3-35/64 90	2-51/64 71	3/8 9.5	21/32 17	13/32 10	2-3/4 70	1-3/32 27.4	0.984 25	0.276 7	5/16 M8	SB 204 204-12	FD204	1.10 0.5
SBFD 205 205-14 205-15 205-16	7/8 15/16 1	25	3-3/4 95	3 76	3/8 9.5	21/32 17	13/32 10	2-51/64 71	1-3/16 29	1.063 27	0.295 7.5	5/16 M8	SB 205 205-14 205-15 205-16	FD205	1.30 0.59
SBFD 206 206-17 206-18 206-19 206-20	1-1/16 1-1/8 1-3/16 1-1/4S	30	4-7/16 113	3-35/64 90	15/32 12	13/16 21	15/32 12	3-5/16 84	1-11/32 34	1.181 30	0.315 8	3/8 M10	SB 206 206-17 206-18 206-19 206-20	FD206	1.80 0.82
SBFD 207 207-20 207-21 207-22 207-23	1-1/4 1-15/16 1-3/8 1-7/16	35	4-29/32 125	3-15/16 100	1/2 12.5	7/8 22	15/32 12	3-11/16 94	1-13/32 36	1.260 32	0.335 8.5	3/8 M10	SB 207 207-20 207-21 207-22 207-23	FD207	2.20 1

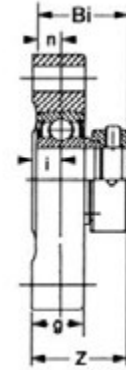
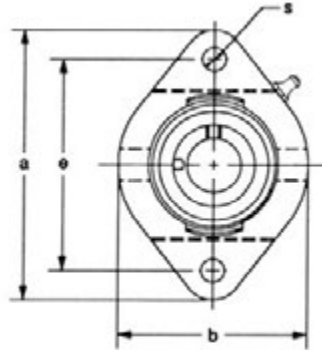


BEARING UNITS



TWO BOLT FLANGE UNITS - Flush Mount Design SAFD 200 Series

Light Duty
Eccentric Collar Locking
Round Bolt Holes



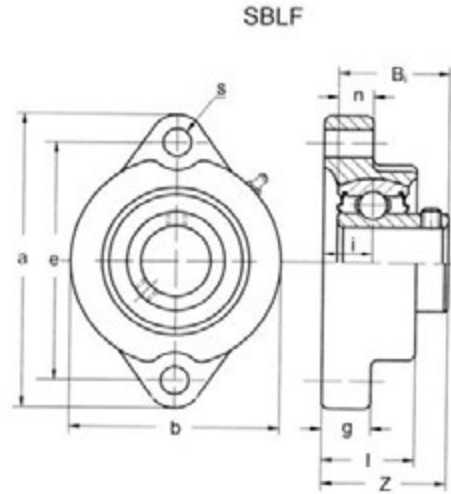
Unit No.	Shaft Dia.		Dimensions inch / mm									Bolt Size	Bearing No.	Housing No.	Weight Lbs kg
	In.	mm	a	e	i	g	s	b	z	Bi	n				
SAFD 201-8 202-10	1/2 5/8		3-3/16 81	2-15/32 63	0.335 8.5	19/32 15	5/16 8	2-21/64 59	1-7/32 30.9	1.126 28.6	0.236 6.0	1/4 M6	SA 201-8 202-10	FD203	0.75 0.34
SAFD 204 204-12	3/4	20	3-35/64 89.7	2-51/64 71	3/8 9.5	21/32 17	13/32 10	2-3/4 70	1-5/16 33.5	1.220 31.0	0.276 7.0	5/16 M8	SA 204 204-12	FD204	1.12 0.51
SAFD 205 205-14 205-15 205-16	7/8 15/16 1	25	3-3/4 95.3	3 76	3/8 9.5	21/32 17	13/32 10	2-51/64 71	1-19/64 33.0	1.220 31.0	0.295 7.5	5/16 M8	SA 205 205-14 205-15 205-16	FD205	1.34 0.61
SAFD 206 206-17 206-18 206-19 206-20	1-1/16 1-1/8 1-3/16 1-1/4S	30	4-7/16 112.7	3-35/64 90	15/32 12	13/16 21	15/32 12	3-5/16 84	1-9/16 39.6	1.406 35.7	0.315 8.0	3/8 M10	SA 206 206-17 206-18 206-19 206-20	FD206	1.87 0.85
SAFD 207 207-20 207-21 207-22 207-23	1-1/4 1-5/16 1-3/8 1-7/16	35	4-29/32 124.6	3-15/16 100	31/64 12.5	7/8 22	15/32 12	3-11/16 94	1-11/16 42.7	1.531 38.9	0.335 8.5	3/8 M10	SA 207 207-20 207-21 207-22 207-23	FD207	2.42 1.10



BEARING UNITS



TWO BOLT FLANGE UNITS - Compact Design
SBLF 200 Series
 Light Duty
 Set Screw Locking
 Round Bolt Holes



Unit No.	Shaft Dia.		Dimensions Inch / mm										Bolt Size	Bearing No.	Housing No.	Weight Lbs/kg
	Inch	mm	a	e	i	g	l	s	b	z	Bi	n				
SBLF 201-8 202-10	1/2		3-3/16	2-1/2	3/8	3/8	23/32	5/16	2-7/32	1	0.866	0.236	1/4	SB 201-8	LF203	0.59
	5/8		81	63.5	9.5	9.5	18	8	56	25.4	22	6	M6	SB 202-10		0.27
SBLF 204 204-12		20	3-35/64	2-13/16	7/16	7/16	25/32	13/32	2-13/32	1-3/16	0.984	0.276	5/16	SB 204	LF204	0.66
	3/4		90	71.4	11	11	20	10	61	29	25	7	M8	SB 204-12		0.30
SBLF 205 205-14 205-15 205-16		25												SB 205		
	7/8		3-3/4	3	7/16	7/16	25/32	13/32	2-33/64	1-1/4	1.063	0.295	5/16	SB 205-14	LF205	0.86
	15/16		95	76	11	11	20	10	64	31	27	7.5	M8	SB 205-15		0.39
	1													SB 205-16		
SBLF 206 206-17 206-18 206-19 206-20		30												SB 206		
	1-1/16													SB 206-17		
	1-1/8		4-7/16	3-9/16	15/32	15/32	7/8	15/32	2-63/64	1-11/32	1.181	0.315	3/8	SB 206-18	LF206	1.25
	1-3/16		116	90.5	12	12	22	12	76	34	30	8	M10	SB 206-19		0.39
	1-1/4S													SB 206-20		
SBLF 207 207-20 207-21 207-22 207-23		35												SB 207		
	1-1/4													SB 207-20		
	1-15/16		4-13/16	3-15/16	1/2	1/2	15/16	15/32	3-1/2	1-13/32	1.260	0.335	3/8	SB 207-21	LF207	1.69
	1-3/8		122	100	13	13	24	12	89	36	32	8.5	M10	SB 207-22		0.77
	1-7/16													SB 207-23		

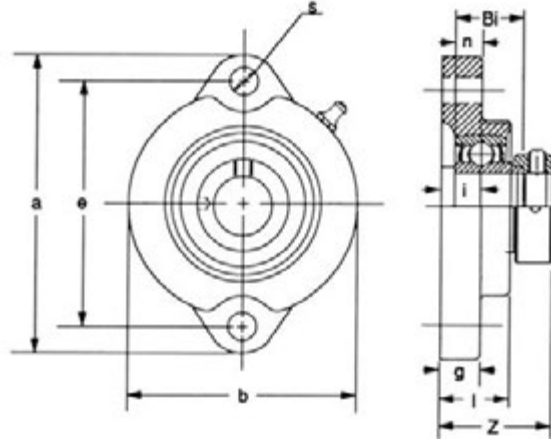


BEARING UNITS



TWO BOLT FLANGE UNITS - Compact Design SALF 200 Series

Light Duty
Eccentric Collar Locking
Round Bolt Holes



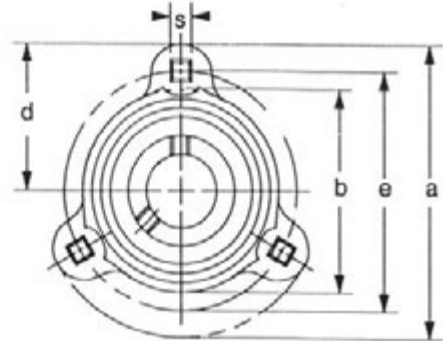
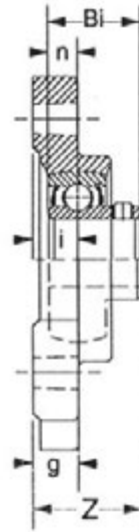
Unit No.	Shaft Dia.		Dimensions								Bolt Size	Bearing No.	Housing No.	Weight		
	Inch	mm	a	e	i	g	l	s	b	z					Bi	n
SALF 201-8	1/2		3-3/16	2-1/2	3/8	3/8	23/32	5/16	2-7/32	1-17/32	1.126	0.236	1/4	SA 201-8	LF203	0.59
202-10	5/8		81	63.5	9.5	9.5	18	8	56	32.1	28.6	6	M6	SA 202-10		0.27
SALF 204		20	3-35/64	2-13/16	7/16	7/16	25/32	13/32	2-13/32	1-3/8	1.220	0.276	5/16	SA 204	LF204	0.66
204-12	3/4		90	71.4	11	11	20	10	61	35.1	31	7	M8	SA 204-12		0.30
SALF 205		25												SA 205		
205-14	7/8		3-3/4	3	7/16	7/16	25/32	13/32	2-33/64	1-23/64	1.220	0.295	5/16	SA 205-14	LF205	0.86
205-15	15/16		95	76	11	11	20	10	64	34.6	31	7.5	M8	SA 205-15		0.39
205-16	1													SA 205-16		
SALF 206		30												SA 206		
206-17	1-1/16													SA 206-17		
206-18	1-1/8		4-7/16	3-9/16	15/32	15/32	7/8	15/32	2-63/64	1-9/16	1.406	0.315	3/8	SA 206-18	LF206	1.25
206-19	1-3/16		116	90.5	12	12	22	12	76	39.6	35.7	8	M10	SA 206-19		0.39
206-20	1-1/4S													SA 206-20		
SALF 207		35												SA 207		
207-20	1-1/4													SA 207-20		
207-21	1-15/16		4-13/16	3-15/16	1/2	1/2	15/16	15/32	3-1/2	1-23/32	1.531	0.335	3/8	SA 207-21	LF207	1.69
207-22	1-3/8		122	100	13	13	24	12	89	43.5	38.9	8.5	M10	SA 207-22		0.77
207-23	1-7/16													SA 207-23		



BEARING UNITS



TRIANGLE FLANGE UNITS - Ductile Iron
SBRFT 200 Series
 Light Duty
 Set Screw Locking
 Square Bolt Holes



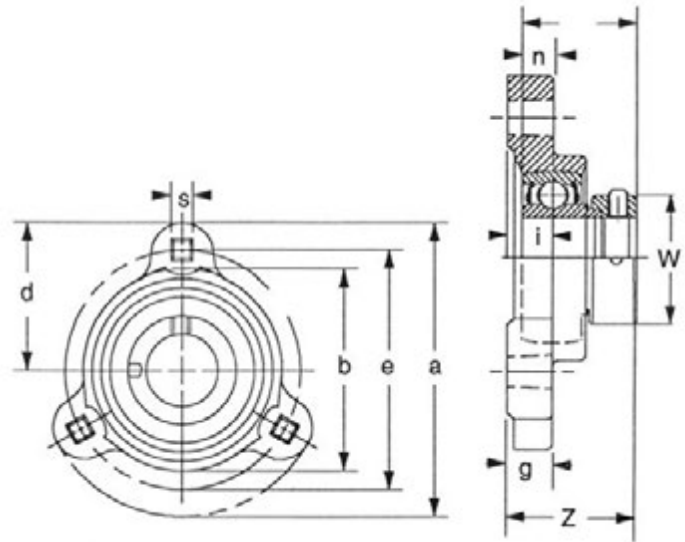
Unit No.	Shaft Dia.		Dimensions inch / mm										Bolt Size	Bearing No.	Housing No.	Weight Lbs kg	
	In.	mm	a	e	i	b	d	g	s	z	Bi	n					
SBRFT 204 204-12	3/4	20	3-9/16	2-13/16	7/16	2-13/64	1-3/4	7/16	11/32	1-3/16	0.984	0.276	5/16 M8	SB 204 204-12	RFT 204	0.77 0.35	
			90.5	71.4	11.1	55.9	45.2	11.1	8.7	29.1	25	7					
SBRFT 205 205-14 205-15 205-16	7/8	25	3-3/4	3	7/16	2-13/16	1-7/8	1/2	11/32	1-7/32	1.063	0.295	5/16 M8	SB 205 205-14 205-15 205-16	RFT 205	0.99 0.45	
	15/16		95.3	76.2	11.1	71.4	47.6	12.7	8.7	30.6	27	7.5					
	1																
SBRFT 206 206-17 206-18 206-19 206-20	1-1/16	30	4-9/16	3-9/16	7/16	3	2-9/32	19/32	13/32	1-5/16	1.181	0.315	3/8 M10	SB 206 206-17 206-18 206-19 206-20	RFT 206	1.36 0.62	
	1-1/8		115.9	90.5	11.1	76.2	57.9	15.1	10.3	33.1	30	8					
	1-3/16																
	1-1/4S																
SBRFT 207 207-20 207-21 207-22 207-23	1-1/4	35	4-13/16	3-15/16	1/2	3-15/32	2-13/32	19/32	13/32	1-7/16	1.260	0.335	3/8 M10	SB 207 207-20 207-21 207-22 207-23	RFT 207	1.83 0.83	
	1-5/16		122.2	100	12.7	88.1	61.1	15.1	10.3	36.2	32	8.5					
	1-3/8																
	1-7/16																



BEARING UNITS



TRIANGLE FLANGE UNITS - Ductile Iron
SARFT 200 Series
 Light Duty
 Eccentric Collar Locking
 Square Bolt Holes



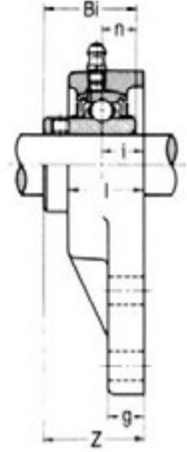
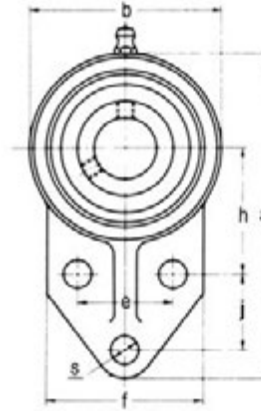
Unit No.	Shaft Dia.		Dimensions inch / mm										Bolt Size	Bearing No.	Housing No.	Weight Lbs / kg	
	In.	mm	a	e	i	b	d	g	s	z	Bi	n					W
SARFT 204 204-12	3/4	20	3-9/16 90.5	2-13/16 71.4	7/16 11.1	2-13/64 55.9	1-3/4 45.2	7/16 11.1	11/32 8.7	1-3/8 35	1.220 31	0.276 7	1-1/4 32.0	5/16 M8	SA 204 204-12	RFT204	0.81 0.37
SARFT 205 205-14 205-15 205-16	7/8 15/16 1	25	3-3/4 95.3	3 76.2	7/16 11.1	2-13/16 71.4	1-7/8 47.6	1/2 12.7	11/32 8.7	1-23/64 34.6	1.220 31	0.295 7.5	1-1/2 38.1	5/16 M8	SA 205 205-14 205-15 205-16	RFT205	1.06 0.48
SARFT 206 206-17 206-18 206-19 206-20	1-1/16 1-1/8 1-3/16 1-1/4S	30	4-9/16 115.9	3-9/16 90.5	7/16 11.1	3 76.2	2-9/32 57.9	19/32 15.1	13/32 10.3	1-17/32 38.8	1.406 35.7	0.315 8	1-3/4 44.5	3/8 M10	SA 206 206-17 206-18 206-19 206-20	RFT206	1.54 0.70
SARFT 207 207-20 207-21 207-22 207-23	1-1/4 1-5/16 1-3/8 1-7/16	35	4-13/16 122.2	3-15/16 100	1/2 12.7	3-15/32 88.1	2-13/32 61.1	19/32 15.1	13/32 10.3	1-45/64 43.1	1.531 38.9	0.335 8.5	2-3/16 55.6	3/8 M10	SA 207 207-20 207-21 207-22 207-23	RFT207	2.00 0.91



BEARING UNITS



THREE BOLT FLANGE BRACKET UNITS - Inch Bolt Hole Spacing UCFB 200 Series Normal Duty Set Screw Locking



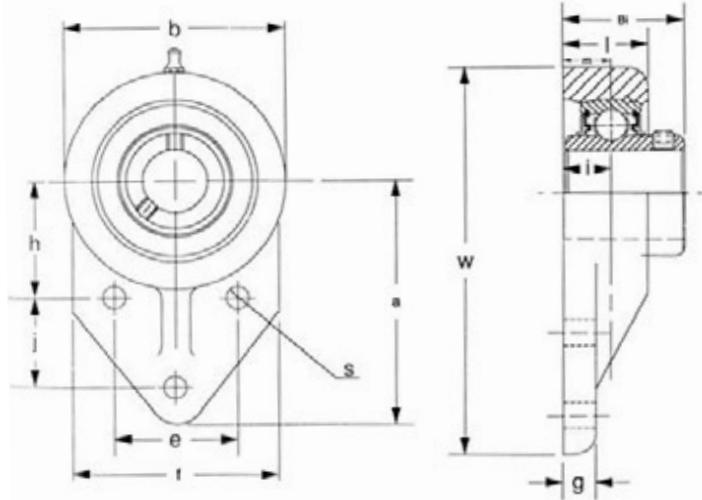
Unit No.	Shaft Dia. In. mm	Dimensions inch / mm												Bolt Size	Bearing No.	Housing No.	Weight Lbs kg			
		a	h	e	j	i	g	l	s	b	f	z	Bi					n		
UCFB 201-8	1/2																	UC 201-8		
202-10	5/8	4-1/4	1-11/16	1-1/2	7/8	5/8	5/16	1	13/32	2-1/2	2-3/8	1-11/32	1.220	0.500	5/16		UC 202-10	FB 204	1.54	
204	20	107.9	42.9	38.1	22.2	15.9	8	25.4	10	63.5	60.3	34.1	31	12.7	M8		204		0.7	
204-12	3/4																UC 204-12			
UCFB 205	25																UC 205			
205-14	7/8	4-3/4	1-13/16	1-5/8	1-1/8	21/32	3/8	1-1/8	13/32	2-3/4	2-1/2	1-7/16	1.339	0.563	5/16		UC 205-14	FB 205	1.76	
205-15	15/16	120.7	46	41.3	28.6	16.7	9.6	28.6	10	69.9	63.5	36.5	34	14.3	M8		205-15		0.8	
205-16	1																UC 205-16			
UCFB 206	30																UC 206			
206-17	1-1/16	5-3/8	2-1/16	1-7/8	1-1/4	47/64	3/8	1-1/4	13/32	3-1/4	2-3/4	1-39/64	1.500	0.626	5/16		UC 206-17	FB 206	2.20	
206-18	1-1/8	136.5	52.4	47.6	31.8	18.7	9.6	31.8	10	82.6	69.9	40.9	38.1	15.9	M8		206-18		1	
206-19	1-3/16																UC 206-19			
206-20	1-1/4S																UC 206-20			
UCFB 207	35																UC 207			
207-20	1-1/4	6-1/8	2-3/8	2	1-1/4	13/16	1/2	1-7/16	33/64	3-3/4	3-1/4	1-53/64	1.689	0.689	3/8		UC 207-20	FB 207	2.86	
207-21	1-5/16	155.6	60.3	50.8	31.8	21	12.7	36.5	13.1	95.3	82.6	46.4	42.9	17.5	M10		207-21		1.3	
207-22	1-3/8																UC 207-22			
207-23	1-7/16																UC 207-23			
UCFB 208	40																UC 208			
208-24	1-1/2	6-15/32	2-3/8	1-31/32	1-5/8	13/16	5/8	1-13/32	33/64	3-31/32	3-1/16	2-1/64	1.937	0.748	3/8		UC 208-24	FB 208	3.08	
208-25	1-9/16	164.3	60.3	50	41.3	21	15.9	35.7	13.1	100.9	77.8	51.2	49.2	19	M10		208-25		1.4	
UCFB 209	45																UC 209			
209-26	1-5/8	6-27/32	2-9/16	2-1/8	1-11/16	55/64	23/32	1-1/2	33/64	4-15/64	3-5/32	2-1/64	1.937	0.748	3/8		UC 209-26	FB 209	4.84	
209-27	1-11/16	173.9	65.1	53.9	42.9	21.8	18.3	38.1	13.1	107.4	80.2	51.2	49.2	19	M10		209-27		2.2	
209-28	1-3/4																UC 209-28			
UCFB 210	50																UC 210			
210-30	1-7/8	7-1/2	2-15/16	2-3/4	1-5/8	55/64	1/2	1-1/2	33/64	4-5/8	4	2-7/64	2.031	0.748	3/8		UC 210-30	FB 210	5.50	
210-31	1-15/16	190.5	74.6	69.9	41.3	21.8	12.7	38.1	13.1	117.5	101.6	53.6	51.6	19	M10		210-31		2.5	
210-32	2S																UC 210-32			



BEARING UNITS



THREE BOLT FLANGE BRACKET UNITS -Metric Bolt Hole Spacing UCFK 200 Series Normal Duty Set Screw Locking



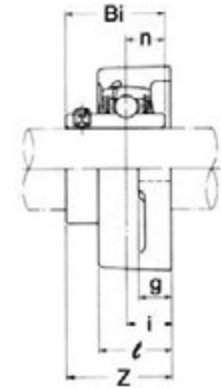
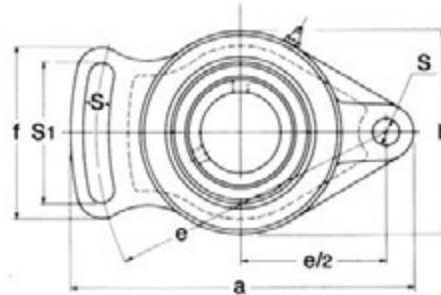
Unit No.	Shaft Dia. In. mm	Dimensions inch / mm													Bolt Size	Bearing No.	Housing No.	Weight lbs kg
		w	h	e	j	i	g	l	s	b	f	z	Bi	n				
UCFK 201-8 202-10 204	1/2 5/8 20	4-11/32 110	1-21/32 42	1-1/4 32	1-1/16 27	19/32 15	1/2 13	1 25.5	13/32 10	2-7/16 62	2-1/16 52	1-5/16 33.3	1.220 31	0.500 12.7	5/16 M8	UC 201-8 202-10 204 204-12	FK 204	1.32 0.60
UCFK 205 205-14 205-15 205-16	7/8 15/16 1	4-9/16 116	1-25/32 45	1-11/32 34	1-1/16 27	5/8 16	1/2 13	1-1/16 27	13/32 10	2-11/16 68	2-7/32 56	1-13/32 35.7	1.339 34	0.563 14.3	5/16 M8	UC 205 205-14 205-15 205-16	FK 205	1.45 0.66
UCFK 206 206-17 206-18 206-19 206-20	1-1/16 1-1/8 1-3/16 1-1/4S	5-1/8 130	1-31/32 50	1-9/16 40	1-3/16 29	23/32 18	1/2 13	1-1/4 31	13/32 10	3-5/64 78	2-9/16 65	1-37/64 40.2	1.500 38.1	0.626 15.9	5/16 M8	UC 206 206-17 206-18 206-19 206-20	FK 206	2.05 0.93
UCFK 207 207-20 207-21 207-22 207-23	1-1/4 1-5/16 1-3/8 1-7/16	5-11/16 144	2-11/64 55	1-13/16 46	1-1/4 32	3/4 19	19/32 15	1-11/32 34	13/32 10	3-35/64 90	2-3/4 70	1-3/4 44.4	1.689 42.9	0.689 17.5	5/16 M8	UC 207 207-20 207-21 207-22 207-23	FK 207	2.86 1.3
UCFK 208 208-24 208-25	1-1/2 1-9/16	6-7/16 164	2-3/8 60	1-31/32 50	1-5/8 41	13/16 21	5/8 16	1-13/32 36	15/32 12	3-15/16 100	3-5/64 78	2-1/64 51.2	1.937 49.2	0.748 19	3/8 M10	UC 208 208-24 208-25	FK 208	3.74 1.7
UCFK 209 209-26 209-27 209-28	1-5/8 1-11/16 1-3/4	6-27/32 174	2-9/16 65	2-1/8 54	1-11/16 43	7/8 22	23/32 18	1-1/2 38	15/32 12	4-11/64 106	3-5/32 80	2-1/16 52.2	1.937 49.2	0.748 19	3/8 M10	UC 209 209-26 209-27 209-28	FK 209	4.18 1.9
UCFK 210 210-30 210-31 210-32	1-7/8 1-15/16 2S	7-1/4 184	2-11/16 68	2-9/32 58	1-13/16 46	7/8 22	23/32 18	1-9/16 40	15/32 12	4-13/32 112	3-25/64 86	2-5/32 54.6	2.031 51.6	0.748 19	3/8 M10	UC 210 210-30 210-31 210-32	FK 210	4.84 2.2



BEARING UNITS



ADJUSTABLE FLANGE UNITS UCFA 200 Series Normal Duty Set Screw Locking



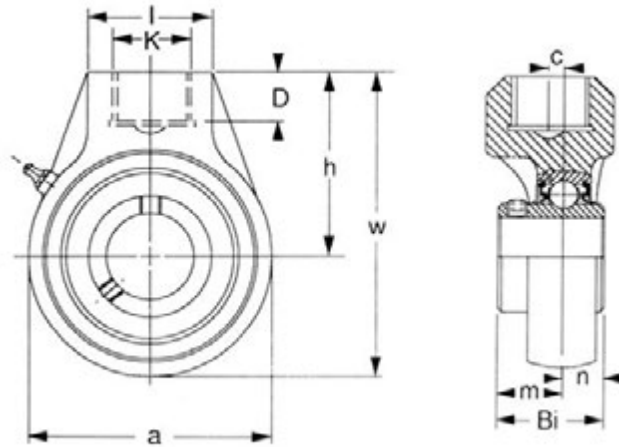
Unit No.	Shaft Dia.		Dimensions inch / mm											Bolt Size	Bearing No.	Housing No.	Weight Lbs / kg	
	In.	mm	a	e	i	g	ℓ	S	S1	b	f	Z	Bi					n
UCFA 201-8 202-10	1/2 5/8		3-27/32 98	3-1/16 78	19/32 15	15/32 12	1 25.5	25/64 10	1-9/16 40	2-3/8 60	1-31/32 50	1-5/16 33.3	1.2205 31	0.500 12.7	5/16 M8	UC 201-8 202-10	FA204	1.5 0.7
UCFA 204 204-12	3/4	20	3-27/32 98	3-1/16 78	19/32 15	15/32 12	1 25.5	25/64 10	1-9/16 40	2-3/8 60	1-31/32 50	1-5/16 33.3	1.2205 31	0.500 12.7	5/16 M8	UC 204 204-12	FA204	1.3 0.6
UCFA 205 205-14 205-15 205-16	7/8 15/16 1	25	4-7/8 124	3-25/32 96	19/32 15	9/16 14	1-1/32 26.5	33/64 13	1-15/16 49	2-3/4 70	2-17/32 64	1-23/64 34.7	1.3386 34	0.563 14.3	3/8 M10	UC 205 205-14 205-15 205-16	FA205	1.8 0.8
UCFA 206 206-17 206-18 206-19 206-20	1-1/16 1-1/8 1-3/16 1-1/4S	30	5-9/16 141	4-17/32 115	45/64 18	9/16 14	1-7/32 31	33/64 13	2-3/32 53	3-5/32 80	2-11/16 68	1-37/64 40.2	1.5000 38.1	0.626 15.9	3/8 M10	UC 206 206-17 206-18 206-19 206-20	FA206	2.6 1.2
UCFA 207 207-20 207-21 207-22 207-23	1-1/4 1-5/16 1-3/8 1-7/16	35	6-3/32 155	5-1/32 128	25/32 20	5/8 16	1-11/32 34	19/32 15	2-3/8 60	3-17/32 90	2-15/16 75	1-25/32 45.4	1.6890 42.9	0.689 17.5	7/16 M12	UC 207 207-20 207-21 207-22 207-23	FA207	3.3 1.5
UCFA 208 208-24 208-25	1-1/2 1-9/16	40	6-23/32 171	5-19/32 142	55/64 22	5/8 16	1-13/32 36	19/32 15	2-23/32 69	3-15/16 100	3-5/16 84	2-1/16 52.2	1.9370 49.2	0.748 19	1/2 M14	UC 208 208-24 208-25	FA208	4.0 1.8
UCFA 209 209-26 209-27 209-28	1-5/8 1-11/16 1-3/4	45	7-1/16 179	5-3/4 146	55/64 22	23/32 18	1-1/2 38	43/64 17	2-27/32 72	4-11/32 110	3-15/32 88	2-1/16 52.2	1.9370 49.2	0.748 19	1/2 M14	UC 209 209-26 209-27 209-28	FA209	4.9 2.2
UCFA 210 210-30 210-31 210-32	1-7/8 1-15/16 2S	50	7-7/16 189	6-3/32 155	55/64 22	23/32 18	1-9/16 40	43/64 17	2-15/16 75	4-17/32 115	3-5/8 92	2-5/32 54.6	2.0315 51.6	0.748 19	1/2 M14	UC 210 210-30 210-31 210-32	FA210	5.7 2.6



BEARING UNITS



HANGER UNITS - NPSM Female Thread
UCHA 200 Series
 Normal Duty
 Set Screw Locking



Unit No.	Shaft Dia.		Dimensions inch / mm										Bearing No.	Housing No.	Weight Lbs kg
	In.	mm	a	w	c	h	l	D	K	Bi	n	m			
	UCHA 201-8 202-10 204 204-12	1/2 5/8 3/4	20	2-33/64 64.3	3-25/32 96	0	2-33/64 63.9	1-9/16 39.7	3/4 19.1	NPSM-3/4	1.220 31.0	0.500 12.7			
UCHA 205 205-14 205-15 205-16	7/8 15/16 1	25	3-1/16 77.8	4-5/64 103.2	0	2-33/64 63.9	1-9/16 39.7	3/4 19.1	NPSM-3/4	1.339 34.0	0.563 14.3	25/32 19.7	UC 205 205-14 205-15 205-16	HA205	2.20 1.0
UCHA 206 206-17 206-18 206-19 206-20	1-1/16 1-1/8 1-3/16 1-1/4S	30	3-1/16 77.8	4-5/64 103.2	0	2-33/64 63.9	1-9/16 39.7	3/4 19.1	NPSM-3/4	1.500 38.1	0.626 15.9	7/8 22.2	UC 206 206-17 206-18 206-19 206-20	HA206	2.20 1.0
UCHA 207 207-20 207-21 207-22 207-23	1-1/4 1-5/16 1-3/8 1-7/16	35	3-5/8 92.1	4-9/16 115.9	0	2-3/4 69.9	1-9/16 39.7	3/4 19.1	NPSM-3/4	1.689 42.9	0.689 17.5	1 25.4	UC 207 207-20 207-21 207-22 207-23	HA207	3.08 1.4
UCHA 208 208-24 208-25	1-1/2 1-9/16	40	3-25/32 96.0	4-3/4 120.7	0.079 2.0	2-7/8 73.0	1-9/16 39.7	3/4 19.1	NPSM-3/4	1.937 49.2	0.748 19.0	1-3/16 30.2	UC 208 208-24 208-25	HA208	3.30 1.5
UCHA 209 209-26 209-27 209-28	1-5/8 1-11/16 1-3/4	45	4-1/4 108.0	5-11/32 135.7	0.205 5.2	3-1/4 82.2	1-7/8 47.6	13/16 20.6	NPSM-1	1.937 49.2	0.748 19.0	1-3/16 30.2	UC 209 209-26 209-27 209-28	HA209	4.62 2.1
UCHA 210 210-30 210-31 210-32	1-7/8 1-15/16 2	50	4-21/32 118.3	5-11/32 142.1	0.205 5.2	3-9/32 82.9	1-7/8 47.6	13/16 20.6	NPSM-1	2.031 51.6	0.748 19.0	1-9/32 32.6	UC 210 210-30 210-31 210-32	HA210	5.72 2.6

K - National Straight Pipe Thread



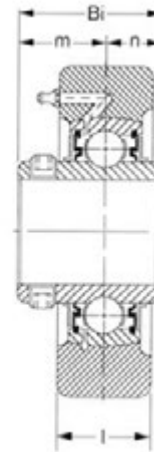
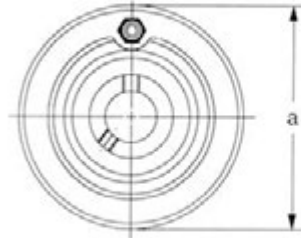
BEARING UNITS



CYLINDRICAL CARTRIDGE UNITS

UCC 200 Series

Normal Duty
Set Screw Locking



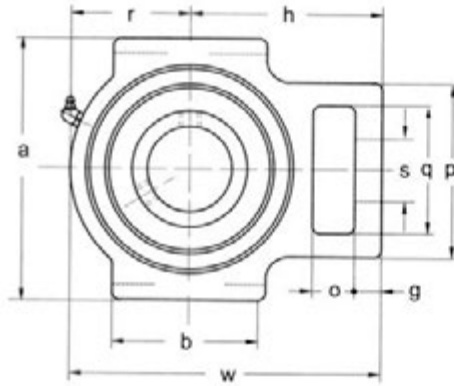
Unit No.	Shaft Dia.		Dimensions inch / mm					Bearing No.	Housing No.	Weight Lbs kg
	In.	mm	a	l	Bi	n	m			
UCC 201-8	1/2							UC 201-8		
202-10	5/8		2-27/32	25/32	1.220	0.500	23/32	202-10	C204	1.10 0.50
204		20	72	19.8	31.0	12.7	18.3	204		
204-12	3/4							204-12		
UCC 205		25						UC 205	C205	1.43 0.65
205-14	7/8		3-5/32	55/64	1.339	0.563	25/32	205-14		
205-15	15/16		80	21.8	34.0	14.3	19.7	205-15		
205-16	1							205-16		
UCC 206		30						UC 206	C206	1.83 0.83
206-17	1-1/16		3-11/32	1-1/16	1.500	0.626	7/8	206-17		
206-18	1-1/8							206-18		
206-19	1-3/16							206-19		
206-20	1-1/4S							206-20		
UCC 207		35						UC 207	C207	2.07 0.94
207-20	1-1/4		3-35/64	1-7/64	1.689	0.689	1	207-20		
207-21	1-5/16							207-21		
207-22	1-3/8							207-22		
207-23	1-7/16							207-23		
UCC 208		40						UC 208	C208	2.86 1.30
208-24	1-1/2		3-15/16	1-3/16	1.937	0.748	1-3/16	208-24		
208-25	1-9/16							208-25		
UCC 209		45						UC 209	C209	3.52 1.60
209-26	1-5/8		4-11/32	1-1/4	1.937	0.748	1-3/16	209-26		
209-27	1-11/16							209-27		
209-28	1-3/4							209-28		
UCC 210		50						UC 210	C210	4.40 2.00
210-30	1-7/8		4-23/32	1-19/64	2.031	0.748	1-9/32	210-30		
210-31	1-15/16							210-31		
210-32	2							210-32		



BEARING UNITS



TAKE-UP UNITS - Wide Slot Width UCST 200 Series Normal Duty Set Screw Locking



Unit No.	Shaft Dia.		Dimensions inch / mm														Bearing No.	Housing No.	Weight Lbs kg		
	In.	mm	o	g	p	q	s	b	k	e	a	w	l	j	r	h				Bi	n
	UCST 201-8 202-10 204 204-12	1/2 5/8 204 3/4	20	5/8 16	13/32 10	2 51	1-1/4 32	3/4 19	2 51	17/32 13.5	3 76.2	3-1/2 89	3-11/16 94	13/16 21	1-1/4 32	1-19/64 33				2-13/32 61	1.220 31
UCST 205 205-14 205-15 205-16	7/8 15/16 1	25	5/8 16	13/32 10	2 51	1-1/4 32	3/4 19	2 51	17/32 13.5	3 76.2	3-1/2 89	3-13/16 97	15/16 24	1-1/4 32	1-3/8 35	2-7/16 62	1.339 34	0.563 14.3	UC 205 205-14 205-15 205-16	ST 205	1.89 0.86
UCST 206 206-17 206-18 206-19 206-20	1-1/16 1-1/8 1-3/16 1-1/4S	30	5/8 16	13/32 10	2-7/32 56	1-29/64 37	7/8 22	2-1/4 57	17/32 13.5	3-1/2 89	4-1/64 102	4-7/16 113	1-3/32 28	1-29/64 37	1-11/16 43	2-3/4 70	1.500 38.1	0.626 15.9	UC 206 206-17 206-18 206-19 206-20	ST 206	2.90 1.32
UCST 207 207-20 207-21 207-22 207-23	1-1/4 1-5/16 1-3/8 1-7/16	35	5/8 16	1/2 13	2-33/64 64	1-29/64 37	7/8 22	2-33/64 64	17/32 13.5	3-1/2 89	4-1/64 102	5-5/64 129	1-3/16 30	1-29/64 37	2 51	3-5/64 78	1.689 42.9	0.689 17.5	UC 207 207-20 207-21 207-22 207-23	ST 207	3.50 1.59
UCST 208 208-24 208-25	1-1/2 1-9/16	40	3/4 19	5/8 16	3-9/32 83	1-59/64 49	1-3/16 29	3-5/16 83	11/16 17.5	4-1/64 102	4-1/2 114	5-11/16 144	1-19/64 33	1-59/64 49	2-7/32 56	3-15/32 88	1.937 49.2	0.748 19	UC 208 208-24 208-25	ST 208	5.06 2.3
UCST 209 209-26 209-27 209-28	1-5/8 1-11/16 1-3/4	45	3/4 19	5/8 16	3-9/32 83	1-59/64 49	1-3/16 29	3-5/16 83	11/16 17.5	4-1/64 102	4-19/32 117	5-23/32 145	1-3/8 35	1-59/64 49	2-1/4 57	3-15/32 88	1.937 49.2	0.748 19	UC 209 209-26 209-27 209-28	ST 209	5.50 2.5
UCST 210 210-30 210-31 210-32	1-7/8 1-15/16 2S	50	3/4 19	5/8 16	3-9/32 83	1-59/64 49	1-3/16 29	3-25/64 86	11/16 17.5	4-1/64 102	4-19/32 117	5-15/16 151	1-29/64 37	1-59/64 49	2-21/64 59	3-5/8 92	2.031 51.6	0.748 19	UC 210 210-30 210-31 210-32	ST 210	5.72 2.6
UCST 211 211-32 211-34 211-35	2 2-1/8 2-3/16	55	31/32 25	3/4 19	4-1/64 102	2-33/64 64	1-3/8 35	3-3/4 95	1-1/16 27	5-1/8 130	5-3/4 146	6-23/32 171	1-1/2 38	2-33/64 64	2-9/16 65	4-11/64 106	2.187 55.6	0.874 22.2	UC 211 211-32 211-34 211-35	ST 211	9.02 4.1
UCST 212 212-36 212-37 212-38 212-39	2-1/4 2-5/16 2-3/8 2-7/16	60	1-1/4 32	3/4 19	4-1/64 102	2-33/64 64	1-3/8 35	4-1/64 102	1-1/16 27	5-1/8 130	5-3/4 146	7-5/8 194	1-21/32 42	2-33/64 64	2-61/64 75	4-11/16 119	2.563 65.1	1 25.4	UC 212 212-36 212-37 212-38 212-39	ST 212	10.56 4.8
UCST 213 213-40 213-41	2-1/2 2-9/16	65	1-1/4 32	13/16 21	4-3/8 111	2-3/4 70	1-5/8 41	4-49/64 121	1-1/16 27	5-15/16 151	6-9/16 167	8-13/16 224	1-3/4 44	2-3/4 70	3-7/16 87	5-25/64 137	2.563 65.1	1 25.4	UC 213 213-40 213-41	ST 213	14.96 6.8
UCST 214 214-42 214-43 214-44	2-5/8 2-11/16 2-3/4	70	1-1/4 32	13/16 21	4-3/8 111	2-3/4 70	1-5/8 41	4-49/64 121	1-1/16 27	5-15/16 151	6-9/16 167	8-13/16 224	1-13/16 46	2-3/4 70	3-7/16 87	5-25/64 137	2.937 74.6	1.189 30.2	UC 214 214-42 214-43 214-44	ST 214	15.40 7
UCST 215 215-45 215-46 215-47 215-48	2-13/16 2-7/8 2-15/16 3	75	1-1/4 32	13/16 21	4-3/8 111	2-3/4 70	1-5/8 41	4-49/64 121	1-1/16 27	5-15/16 151	6-9/16 167	8-1/8 232	1-7/8 48	2-3/4 70	3-5/8 92	5-1/2 140	3.063 77.8	1.311 33.3	UC 215 215-45 215-46 215-47 215-48	ST 215	17.16 7.8



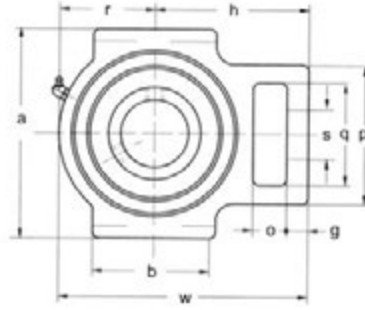
BEARING UNITS



TAKE-UP UNITS - Metric Slot Width

UCT 200 Series

Normal Duty
Set Screw Locking



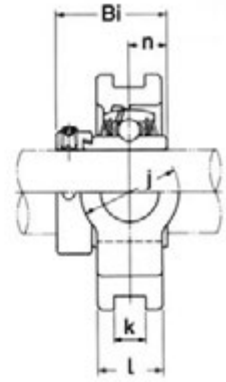
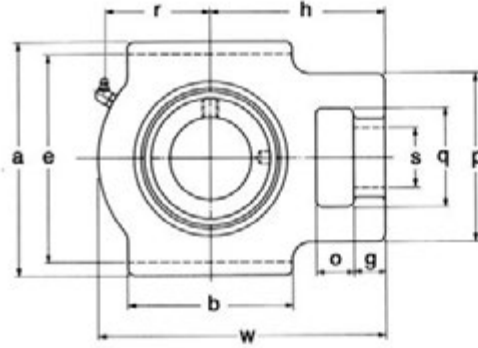
Unit No.	Shaft Dia.		Dimensions inch / mm															Bearing No.	Housing No.	Weight Lbs kg	
	In.	mm	o	g	p	q	s	b	k	e	a	w	l	j	r	h	Bi				n
UCT 201-8	1/2																		UC 201-8		
202-10	5/8	20	5/8	13/32	2	1-1/4	3/4	2	12	3	3-1/2	3-11/16	13/16	1-1/4	1-19/64	2-13/32	1.220	0.500	202-10	T 204	1.69
204			16	10	51	32	19	51		76.2	89	94	21	32	33	61	31	12.7	204		0.77
204-12	3/4																		204-12		
UCT 205		25																	UC 205		
205-14	7/8		5/8	13/32	2	1-1/4	3/4	2	12	3	3-1/2	3-13/16	15/16	1-1/4	1-3/8	2-7/16	1.339	0.563	205-14	T 205	1.89
205-15	15/16		16	10	51	32	19	51		76.2	89	97	24	32	35	62	34	14.3	205-15		0.86
205-16	1																		205-16		
UCT 206		30																	UC 206		
206-17	1-1/16		5/8	13/32	2-7/32	1-29/64	7/8	2-1/4	12	3-1/2	4-1/64	4-7/16	1-3/32	1-29/64	1-11/16	2-3/4	1.500	0.626	206-17	T 206	2.90
206-18	1-1/8		16	10	56	37	22	57		89	102	113	28	37	43	70	38.1	15.9	206-18		1.32
206-19	1-3/16																		206-19		
206-20	1-1/4S																		206-20		
UCT 207		35																	UC 207		
207-20	1-1/4		5/8	1/2	2-33/64	1-29/64	7/8	2-33/64	12	3-1/2	4-1/64	5-5/64	1-3/16	1-29/64	2	3-5/64	1.689	0.689	207-20	T 207	3.50
207-21	1-5/16		16	13	64	37	22	64		89	102	129	30	37	51	78	42.9	17.5	207-21		1.59
207-22	1-3/8																		207-22		
207-23	1-7/16																		207-23		
UCT 208		40																	UC 208		
208-24	1-1/2		3/4	5/8	3-9/32	1-59/64	1-3/16	3-9/32	16	4-1/64	4-1/2	5-11/16	1-19/64	1-59/64	2-7/32	3-15/32	1.937	0.748	208-24	T 208	5.06
208-25	1-9/16		19	16	83	49	29	83		102	114	144	33	49	56	88	49.2	19	208-25		2.30
UCT 209		45																	UC 209		
209-26	1-5/8		3/4	5/8	3-9/32	1-59/64	1-3/16	3-9/32	16	4-1/64	4-19/32	5-23/32	1-3/8	1-59/64	2-1/4	3-15/32	1.937	0.748	209-26	T 209	5.50
209-27	1-11/16		19	16	83	49	29	83		102	117	145	35	49	57	88	49.2	19	209-27		2.50
209-28	1-3/4																		209-28		
UCT 210		50																	UC 210		
210-30	1-7/8		3/4	5/8	3-9/32	1-59/64	1-3/16	3-25/64	16	4-1/64	4-19/32	5-15/16	1-29/64	1-59/64	2-21/64	3-5/8	2.031	0.748	210-30	T 210	5.72
210-31	1-15/16		19	16	83	49	29	86		102	117	151	37	49	59	92	51.6	19	210-31		2.60
210-32	2S																		210-32		
UCT 211		55																	UC 211		
211-32	2		31/32	3/4	4-1/64	2-33/64	1-3/8	3-3/4	22	5-1/8	5-3/4	6-23/32	1-1/2	2-33/64	2-9/16	4-11/64	2.187	0.874	211-32	T 211	9.02
211-34	2-1/8		25	19	102	64	35	95		130	146	171	38	64	65	106	55.6	22.2	211-34		4.10
211-35	2-3/16																		211-35		
UCT 212		60																	UC 212		
212-36	2-1/4		1-1/4	3/4	4-1/64	2-33/64	1-3/8	4-1/64	22	5-1/8	5-3/4	7-5/8	1-21/32	2-33/64	2-61/64	4-11/16	2.563	1.000	212-36	T 212	10.56
212-37	2-5/16		32	19	102	64	35	102		130	146	194	42	64	75	119	65.1	25.4	212-37		4.80
212-38	2-3/8																		212-38		
212-39	2-7/16																		212-39		
UCT 213		65																	UC 213		
213-40	2-1/2		1-1/4	13/16	4-3/8	2-3/4	1-5/8	4-49/64	26	5-15/16	6-9/16	8-13/16	1-3/4	2-3/4	3-7/16	5-25/64	2.563	1.000	213-40	T 213	14.96
213-41	2-9/16		32	21	111	70	41	121		151	167	224	44	70	87	137	65.1	25.4	213-41		6.80
UCT 214		70																	UC 214		
214-42	2-5/8		1-1/4	13/16	4-3/8	2-3/4	1-5/8	4-49/64	26	5-15/16	6-9/16	8-13/16	1-13/16	2-3/4	3-7/16	5-25/64	2.937	1.189	214-42	T 214	15.40
214-43	2-11/16		32	21	111	70	41	121		151	167	224	46	70	87	137	74.6	30.2	214-43		7.00
214-44	2-3/4																		214-44		
UCT 215		75																	UC 215		
215-45	2-13/16		1-1/4	13/16	4-3/8	2-3/4	1-5/8	4-49/64	26	5-15/16	6-9/16	8-1/8	1-13/16	2-3/4	3-5/8	5-1/2	3.063	1.311	215-45	T 215	17.16
215-46	2-7/8		32	21	111	70	41	121		151	167	232	46	70	92	140	77.8	33.3	215-46		7.80
215-47	2-15/16																		215-47		
215-48	3																		215-48		



BEARING UNITS



TAKE-UP UNITS - Wide Slot Width
HCST 200 Series
 Normal Duty
 Eccentric Collar Locking



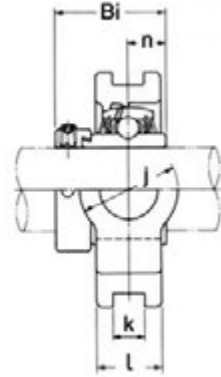
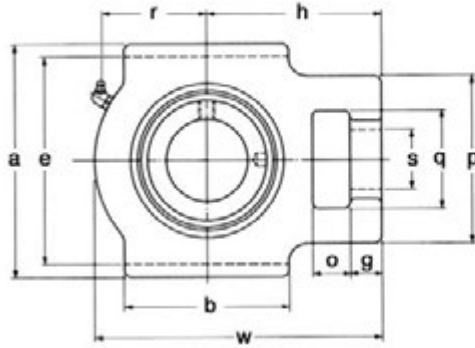
Unit No.	Shaft Dia.		Dimensions inch / mm														Bearing No.	Housing No.	Weight Lbs kg		
	In.	mm	o	g	p	q	s	b	k	e	a	w	l	j	r	h				Bi	n
HCST201-8	1/2																		HC 201-8		
202-10	5/8	20	5/8	13/32	2	1-1/4	3/4	2	17/32	3	3-1/2	3-11/16	13/16	1-1/4	1-19/64	2-13/32	1.713	0.669	202-10	ST 204	1.76
204	15/16																		204		0.80
204-12	3/4																		204-12		
HCST205		25																	HC 205		
205-14	7/8		5/8	13/32	2	1-1/4	3/4	2	17/32	3	3-1/2	3-13/16	15/16	1-1/4	1-3/8	2-7/16	1.744	0.685	205-14	ST 205	1.98
205-15	15/16																		205-15		0.90
205-16	1																		205-16		
HCST206		30																	HC 206		
206-17	1-1/16		5/8	13/32	2-7/32	1-29/64	7/8	2-1/4	17/32	3-1/2	4-1/64	4-7/16	1-3/32	1-29/64	1-11/16	2-3/4	1.902	0.717	206-17	ST 206	3.12
206-18	1-1/8																		206-18		1.42
206-19	1-3/16																		206-19		
206-20	1-1/4S																		206-20		
HCST207		35																	HC 207		
207-20	1-1/4		5/8	1/2	2-33/64	1-29/64	7/8	2-33/64	17/32	3-1/2	4-1/64	5-5/64	1-3/16	1-29/64	2	3-5/64	2.012	0.740	207-20	ST 207	3.74
207-21	1-5/16																		207-21		1.70
207-22	1-3/8																		207-22		
207-23	1-7/16																		207-23		
HCST208		40																	HC 208		
208-24	1-1/2		3/4	5/8	3-9/32	1-59/64	1-3/16	3-9/32	11/16	4-1/64	4-1/2	5-11/16	1-19/64	1-59/64	2-7/32	3-15/32	2.217	0.843	208-24	ST 208	5.50
208-25	1-9/16																		208-25		2.50
HCST209		45																	HC 209		
209-26	1-5/8		3/4	5/8	3-9/32	1-59/64	1-3/16	3-9/32	11/16	4-1/64	4-19/32	5-23/32	1-3/8	1-59/64	2-7/32	3-15/32	2.217	0.843	209-26	ST 209	5.83
209-27	1-11/16																		209-27		2.65
209-28	1-3/4																		209-28		
HCST210		50																	HC 210		
210-30	1-7/8		3/4	5/8	3-9/32	1-59/64	1-3/16	3-25/64	11/16	4-1/64	4-19/32	5-15/16	1-29/64	1-59/64	2-21/64	3-5/8	2.469	0.969	210-30	ST 210	6.16
210-31	1-15/16																		210-31		2.80
210-32	2S																		210-32		
HCST211		55																	HC 211		
211-32	2		31/32	3/4	4-1/64	2-33/64	1-3/8	3-3/4	1-1/16	5-1/8	5-3/4	6-23/32	1-1/2	2-33/64	2-9/16	4-11/64	2.811	1.091	211-32	ST 211	9.68
211-34	2-1/8																		211-34		4.40
211-35	2-3/16																		211-35		
HCST212		60																	HC 212		
212-36	2-1/4		31/32	3/4	4-1/64	2-33/64	1-3/8	4-1/6	1-1/16	5-1/8	5-3/4	7-5/8	1-21/32	2-33/64	2-61/64	4-11/16	3.059	1.217	212-36	ST 212	11.22
212-37	2-5/16																		212-37		5.10
212-38	2-3/8																		212-38		
212-39	2-7/16																		212-39		
HCST213		65																	HC 213		
213-40	2-1/2		1-1/4	13/16	4-3/8	2-3/4	1-5/8	4-49/64	1-1/16	5-15/16	6-9/16	8-13/16	1-3/4	2-3/4	3-7/16	5-25/64	3.374	1.343	213-40	ST 213	15.73
213-41	2-9/16																		213-41		7.15
HCST214		70																	HC 214		
214-42	2-5/8																		214-42		
214-43	2-11/16		1-1/4	13/16	4-3/8	2-3/4	1-5/8	4-49/64	1-1/16	5-15/16	6-9/16	8-13/16	1-13/16	2-3/4	3-7/16	5-25/64	3.374	1.343	214-43	ST 214	16.06
214-44	2-3/4																		214-44		7.30
HCST215		75																	HC 215		
215-45	2-13/16																		215-45		
215-46	2-7/8		1-1/4	13/16	4-3/8	2-3/4	1-5/8	4-49/64	1-1/16	5-15/16	6-9/16	8-1/8	1-7/8	2-3/4	3-5/8	5-1/2	3.626	1.469	215-46	ST 215	17.82
215-47	2-15/16																		215-47		8.10
215-48	3																		215-48		



BEARING UNITS



TAKE-UP UNITS - Metric Slot Width HCT 200 Series Normal Duty Eccentric Collar Locking



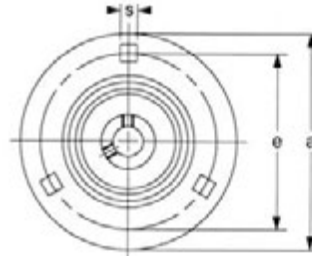
Unit No.	Shaft Dia.		Dimensions inch / mm														Bearing No.	Housing No.	Weight Lbs kg		
	In.	mm	o	g	p	q	s	b	k	e	a	w	l	j	r	h				Bi	n
HCT 201-8 202-10 204 204-12	1/2 5/8 3/4	20	5/8 16	13/32 10	2 51	1-1/4 32	3/4 19	2 51	12	3 76.2	3-1/2 89	3-11/16 94	13/16 21	1-1/4 32	1-19/64 33	2-13/32 61	1.713 43.5	0.669 17	HC 201-8 202-10 204 204-12	T 204	1.76 0.80
HCT 205 205-14 205-15 205-16	7/8 15/16 1	25	5/8 16	13/32 10	2 51	1-1/4 32	3/4 19	2 51	12	3 76.2	3-1/2 89	3-13/16 97	15/16 24	1-1/4 32	1-3/8 35	2-7/16 62	1.744 44.3	0.685 17.4	HC 205 205-14 205-15 205-16	T 205	1.98 0.90
HCT 206 206-17 206-18 206-19 206-20	1-1/16 1-1/8 1-3/16 1-1/45	30	5/8 16	13/32 10	2-7/32 56	1-29/64 37	7/8 22	2-1/4 57	12	3-1/2 89	4-1/64 102	4-7/16 113	1-3/32 28	1-29/64 37	1-11/16 43	2-3/4 70	1.902 48.3	0.717 18.2	HC 206 206-17 206-18 206-19 206-20	T 206	3.12 1.42
HCT 207 207-20 207-21 207-22 207-23	1-1/4 1-5/16 1-3/8 1-7/16	35	5/8 16	1/2 13	2-33/64 64	1-29/64 37	7/8 22	2-33/64 64	12	3-1/2 89	4-1/64 102	5-5/64 129	1-3/16 30	1-29/64 37	2 51	3-5/64 78	2.012 51.1	0.740 18.8	HC 207 207-20 207-21 207-22 207-23	T 207	3.74 1.70
HCT 208 208-24 208-25	1-1/2 1-9/16	40	3/4 19	5/8 16	3-9/32 83	1-59/64 49	1-3/16 29	3-9/32 83	16	4-1/64 102	4-1/2 114	5-11/16 144	1-19/64 33	1-59/64 49	2-7/32 56	3-15/32 88	2.217 56.3	0.843 21.4	HC 208 208-24 208-25	T 208	5.50 2.50
HCT 209 209-26 209-27 209-28	1-5/8 1-11/16 1-3/4	45	3/4 19	5/8 16	3-9/32 83	1-59/64 49	1-3/16 29	3-9/32 83	16	4-1/64 102	4-19/32 117	5-23/32 145	1-3/8 35	1-59/64 49	2-1/4 57	3-15/32 88	2.217 56.3	0.843 21.4	HC 209 209-26 209-27 209-28	T 209	5.83 2.65
HCT 210 210-30 210-31 210-32	1-7/8 1-15/16 25	50	3/4 19	5/8 16	3-9/32 83	1-59/64 49	1-3/16 29	3-25/64 86	16	4-1/64 102	4-19/32 117	5-15/16 151	1-29/64 37	1-59/64 49	2-21/64 59	3-5/8 92	2.469 62.7	0.969 24.6	HC 210 210-30 210-31 210-32	T 210	6.16 2.80
HCT 211 211-32 211-34 211-35	2 2-1/8 2-3/16	55	31/32 25	3/4 19	4-1/64 102	2-33/64 64	1-3/8 35	3-3/4 95	22	5-1/8 130	5-3/4 146	6-23/32 171	1-1/2 38	2-33/64 64	2-9/16 65	4-11/64 106	2.811 71.4	1.091 27.7	HC 211 211-32 211-34 211-35	T 211	9.68 4.40
HCT 212 212-36 212-37 212-38 212-39	2-1/4 2-5/16 2-3/8 2-7/16	60	1-1/4 32	3/4 19	4-1/64 102	2-33/64 64	1-3/8 35	4-1/64 102	22	5-1/8 130	5-3/4 146	7-5/8 194	1-21/32 42	2-33/64 64	2-61/64 75	4-11/16 119	3.059 77.7	1.217 30.9	HC 212 212-36 212-37 212-38 212-39	T 212	11.22 5.10
HCT 213 213-40 213-41	2-1/2 2-9/16	65	1-1/4 32	13/16 21	4-3/8 111	2-3/4 70	1-5/8 41	4-49/64 121	26	5-15/16 151	6-9/16 167	8-13/16 224	1-3/4 44	2-3/4 70	3-7/16 87	5-25/64 137	3.374 85.7	1.343 34.1	HC 213 213-40 213-41	T 213	15.73 7.15
HCT 214 214-42 214-43 214-44	2-5/8 2-11/16 2-3/4	70	1-1/4 32	13/16 21	4-3/8 111	2-3/4 70	1-5/8 41	4-49/64 121	26	5-15/16 151	6-9/16 167	8-13/16 224	1-13/16 46	2-3/4 70	3-7/16 87	5-25/64 137	3.374 85.7	1.343 34.1	HC 214 214-42 214-43 214-44	T 214	16.06 7.30
HCT 215 215-45 215-46 215-47 215-48	2-13/16 2-7/8 2-15/16 3	75	1-1/4 32	13/16 21	4-3/8 111	2-3/4 70	1-5/8 41	4-49/64 121	26	5-15/16 151	6-9/16 167	8-1/8 232	1-7/8 48	2-3/4 70	3-5/8 92	5-1/2 140	3.626 92.1	1.469 37.3	HC 215 215-45 215-46 215-47 215-48	T 215	17.82 8.10



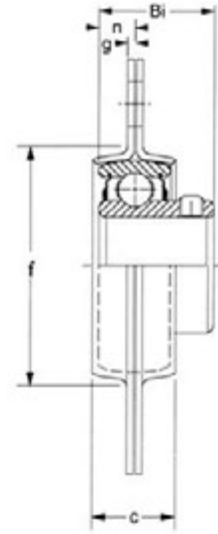
BEARING UNITS



ROUND FLANGETTE UNITS - Three Bolt Mount
SBPF 200 Series
 Light Duty
 Set Screw Locking



PF203 - PF207



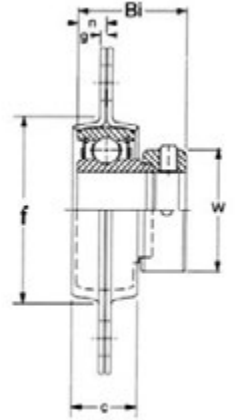
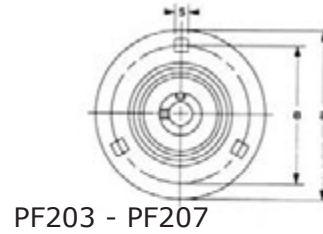
Unit No.	Shaft Dia.		Dimensions inch / mm								Bolt Size	No. of Bolt Holes	Bearing No.	Housing No.	Weight Lbs kg
	In.	mm	a	e	g	c	s	f	Bi	n					
SBPF 201-8 202-10	1/2 5/8		3-3/16 81	2-33/64 64	0.079 2	9/16 14	9/32 7	1-59/64 49	0.866 22	0.236 6.0	1/4 M6	3	SB 201-8 202-10	PF203	0.660 0.30
SBPF 204 204-12	3/4	20	3-35/64 90	2-51/64 71	0.083 2.1	5/8 16	11/32 9	2-7/32 56	0.984 25	0.276 7.0	5/16 M8	3	SB 204 204-12	PF204	0.726 0.33
SBPF 205 205-14 205-15 205-16	7/8 15/16 1	25	3-3/4 95	2-63/64 76	0.083 2.1	21/32 17	11/32 9	2-19/32 66	1.063 27	0.295 7.5	5/16 M8	3	SB 205 205-14 205-15 205-16	PF205	0.836 0.38
SBPF 206 206-17 206-18 206-19 206-20	1-1/16 1-1/8 1-3/16 1-1/4S	30	4-7/16 113	3-35/64 90	0.102 2.6	21/32 17	13/32 10	2-51/64 71	1.181 30	0.315 8.0	3/8 M10	3	SB 206 206-17 206-18 206-19 206-20	PF206	1.408 0.64
SBPF 207 207-20 207-21 207-22 207-23	1-1/4 1-5/16 1-3/8 1-7/16	35	4-13/16 122	3-15/16 100	0.102 2.6	3/4 19	13/32 10	3-3/16 81	1.260 32	0.335 8.5	3/8 M10	3	SB 207 207-20 207-21 207-22 207-23	PF207	1.804 0.82



BEARING UNITS



ROUND FLANGETTE UNITS - Three Bolt Mount SAPF 200 Series Light Duty Eccentric Collar Locking



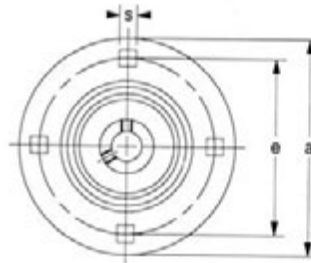
Unit No.	Shaft Dia.		Dimensions inch / mm									Bolt Size	No. of Bolt Holes	Bearing No.	Housing No.	Weight Lbs kg
	In.	mm	a	e	g	c	s	f	Bi	n	W					
SAPF 201-8 202-10	1/2 5/8		3-3/16 81	2-33/64 64	0.079 2	9/16 14	9/32 7	1.59/64 49	1.126 28.6	0.236 6	1-1/8 28.6	1/4 M6	3	SA 201-8 202-10	PF203	0.68 0.31
SAPF 204 204-12	3/4	20	3-35/64 90	2-51/64 71	0.083 2.1	5/8 16	11/32 9	2-7/32 56	1.220 31.0	0.276 7.0	1-1/4 32.0	5/16 M8	3	SA 204 204-12	PF204	0.77 0.35
SAPF 205 205-14 205-15 205-16	7/8 15/16 1	25	3-3/4 95	2-63/64 76	0.083 2.1	21/32 17	11/32 9	2-19/32 66	1.220 31.0	0.295 7.5	1-1/2 38.1	5/16 M8	3	SA 205 205-14 205-15 205-16	PF205	0.88 0.40
SAPF 206 206-17 206-18 206-19 206-20	1-1/16 1-1/8 1-3/16 1-1/4S	30	4-7/16 113	3-35/64 90	0.102 2.6	21/32 17	13/32 10	2-51/64 71	1.406 35.7	0.315 8.0	1-3/4 44.5	3/8 M10	3	SA 206 206-17 206-18 206-19 206-20	PF206	1.50 0.68
SAPF 207 207-20 207-21 207-22 207-23	1-1/4 1-5/16 1-3/8 1-7/16	35	4-13/16 122	3-15/16 100	0.102 2.6	3/4 19	13/32 10	3-3/16 81	1.531 38.9	0.335 8.5	2-15/64 56.6	3/8 M10	3	SA 207 207-20 207-21 207-22 207-23	PF207	1.85 0.84



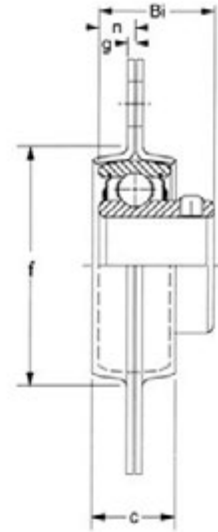
BEARING UNITS



ROUND FLANGETTE UNITS - Four Bolt Mount
SBPF 200 Series
 Light Duty
 Set Screw Locking



PF208



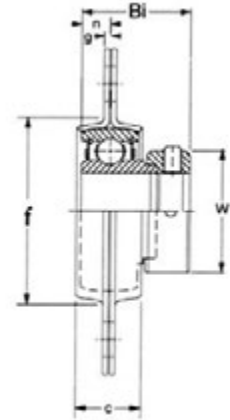
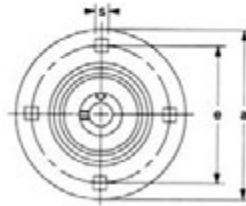
Unit No.	Shaft Dia.		Dimensions inch / mm							Bolt Size	No. of Bolt Holes	Bearing No.	Housing No.	Weight Lbs kg	
	In.	mm	a	e	g	c	s	f	Bi						n
SBPF 208		40													
208-24	1-1/2		5-13/16	4-11/16	0.134	13/16	1/2	3-35/64	1.339	0.354	1/2	4	SB 208	PF208	2.200
208-25	1-9/16		148	119	3.4	21	13	90	34	9.0	M14		208-24 208-25		1



BEARING UNITS



ROUND FLANGETTE UNITS - Four Bolt Mount
SAPF 200 Series
 Light Duty
 Eccentric Collar Locking



PF208 - PF210

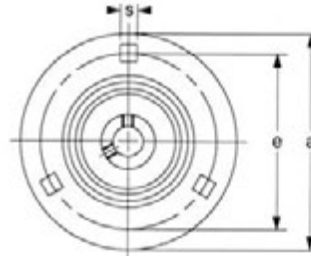
Unit No.	Shaft Dia.		Dimensions inch / mm									Bolt Size	No. of Bolt Holes	Bearing No.	Housing No.	Weight Lbs kg
	In.	mm	a	e	g	c	s	f	Bi	n	W					
SAPF 208		40														
208-24	1-1/2		5-13/16	4-11/16	0.134	13/16	1/2	3-35/64	1.720	0.354	2-3/8	1/2	4	SA 208		2.86
208-25	1-9/16		148	119	3.4	21	13	90	43.7	9.0	60.4	M14		208-24	PF208	1.3
														208-25		
SAPF 209		45														
209-26	1-5/8		5-55/64	4-49/64	0.134	7/8	1/2	3-13/16	1.720	0.374	2-1/2	1/2	4	SA 209		3.74
209-27	1-11/16		149	121	3.4	22	13	97	43.7	9.5	63.5	M14		209-26	PF209	1.7
209-28	1-3/4													209-27		
														209-28		
SAPF 210		50														
210-30	1-7/8		6-3/16	5	0.150	7/8	1/2	4-1/64	1.720	0.394	2-3/4	1/2	4	SA 210		4.40
210-31	1-15/16		156	127	3.8	22	13	102	43.7	10.0	69.9	M14		210-30	PF210	2.0
210-32	2S													210-31		
														210-32		



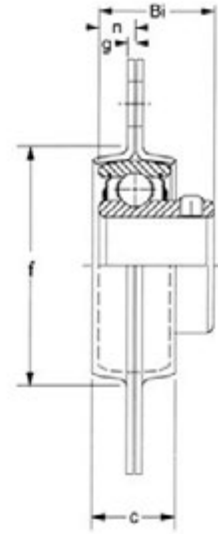
BEARING UNITS



RELUBE ROUND FLANGETTE UNITS - Three Bolt Mount
SBPFG 200 Series
 Light Duty
 Set Screw Locking



PF203G - PF207G



Unit No.	Shaft Dia.		Dimensions inch / mm								Bolt Size	No. of Bolt Holes	Bearing No.	Housing No.	Weight Lbs kg
	In.	mm	a	e	g	c	s	f	Bi	n					
SBPFG204G 204-12G	3/4	20	3-35/64 90	2-51/64 71	0.083 2.1	5/8 16	11/32 9	2-7/32 56	0.984 25	0.276 7.0	5/16 M8	3	SB 204 204-12	PF204G	0.65 0.30
SBPFG205G 205-14G 205-15G 205-16G	7/8 15/16 1	25	3-3/4 95	2-63/64 76	0.083 2.1	21/32 17	11/32 9	2-19/32 66	1.063 27	0.295 7.5	5/16 M8	3	SB 205 205-14 205-15 205-16	PF205G	0.75 0.34
SBPFG206G 206-17G 206-18G 206-19G 206-20G	1-1/16 1-1/8 1-3/16 1-1/4S	30	4-7/16 113	3-35/64 90	0.102 2.6	21/32 17	13/32 10	2-51/64 71	1.181 30	0.315 8.0	3/8 M10	3	SB 206 206-17 206-18 206-19 206-20	PF206G	1.20 0.54
SBPFG207G 207-20G 207-21G 207-22G 207-23G	1-1/4 1-5/16 1-3/8 1-7/16	35	4-13/16 122	3-15/16 100	0.102 2.6	3/4 19	13/32 10	3-3/16 81	1.260 32	0.335 8.5	3/8 M10	3	SB 207 207-20 207-21 207-22 207-23	PF207G	1.45 0.68

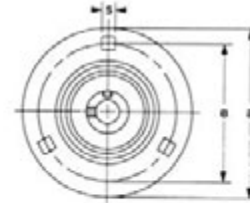
Standard Stock Item is Zinc Plated



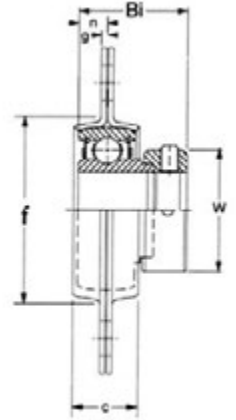
BEARING UNITS



RELUBE ROUND FLANGETTE UNITS - Three Bolt Mount
SAPFG 200 Series
 Light Duty
 Eccentric Collar Locking



PF204G - PF207G



Unit No.	Shaft Dia.		Dimensions inch / mm									Bolt Size	No. of Bolt Holes	Bearing No.	Housing No.	Weight Lbs kg
	In.	mm	a	e	g	c	s	f	Bi	n	W					
SAPF204G 204-12G	3/4	20	3-35/64 90	2-51/64 71	0.083 2.1	5/8 16	11/32 9	2-7/32 56	1.220 31.0	0.276 7.0	1-1/4 32.0	5/16 M8	3	SA 204 204-12	PF204G	0.75 0.34
SAPF205G 205-14G 205-15G 205-16G	7/8 15/16 1	25	3-3/4 95	2-63/64 76	0.083 2.1	21/32 17	11/32 9	2-19/32 66	1.220 31.0	0.295 7.5	1-1/2 38.1	5/16 M8	3	SA 205 205-14 205-15 205-16	PF205G	0.85 0.39
SAPF206G 206-17G 206-18G 206-19G 206-20G	1-1/16 1-1/8 1-3/16 1-1/4S	30	4-7/16 113	3-35/64 90	0.102 2.6	21/32 17	13/32 10	2-51/64 71	1.406 35.7	0.315 8.0	1-3/4 44.5	3/8 M10	3	SA 206 206-17 206-18 206-19 206-20	PF206G	1.30 0.59
SAPF207G 207-20G 207-21G 207-22G 207-23G	1-1/4 1-5/16 1-3/8 1-7/16	35	4-13/16 122	3-15/16 100	0.102 2.6	3/4 19	13/32 10	3-3/16 81	1.531 38.9	0.335 8.5	2-15/64 56.6	3/8 M10	3	SA 207 207-20 207-21 207-22 207-23	PF207G	1.70 0.77

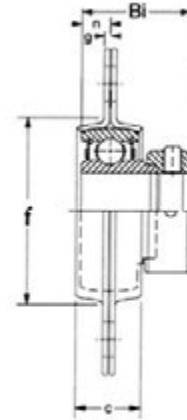
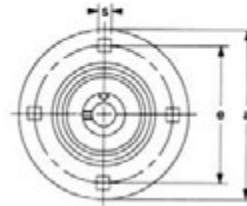
Standard Stock Item is Zinc Plated



BEARING UNITS



RELUBE ROUND FLANGETTE UNITS - Four Bolt Mount
SBPFG 200 Series
 Light Duty
 Set Screw Locking



PF208G - PF211G

Unit No.	Shaft Dia.		Dimensions inch / mm								Bolt Size	No. of Bolt Holes	Bearing No.	Housing No.	Weight Lbs kg
	In.	mm	a	e	g	c	s	f	Bi	n					
SBPF208G		40													
208-24G	1-1/2		5-13/16	4-11/16	0.134	13/16	1/2	3-35/64	1.720	0.354	1/2	4	SB 208		2.50 1.13
208-25G	1-9/16		148	119	3.4	21	13	90	43.7	9.0	M14		208-24	PF208G	
													208-25		
SBPF209G		45													
209-26G	1-5/8		5-55/64	4-49/64	0.134	7/8	1/2	3-13/16	1.720	0.374	1/2	4	SB 209		3.05 1.38
209-27G	1-11/16		149	121	3.4	22	13	97	43.7	9.5	M14		209-26	PF209G	
209-28G	1-3/4												209-27		
													209-28		
SBPF210G		50													
210-30G	1-7/8		6-3/16	5	0.150	7/8	1/2	4-1/64	1.720	0.394	1/2	4	SB 210		3.30 1.50
210-31G	1-15/16		156	127	3.8	22	13	102	43.7	10.0	M14		210-30	PF210G	
210-32G	2S												210-31		
													210-32		
SBPF211G		55													
211-32G	2		6-3/16	5	0.150	7/8	1/2	4-1/64	1.720	0.394	1/2	4	SB 211		4.40 2.00
211-34G	2-1/8		156	127	3.8	22	13	102	43.7	10.0	M14		211-32	PF211G	
211-35G	2-3/16												211-34		
													211-35		

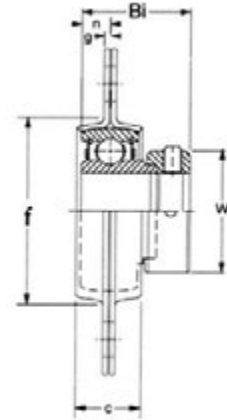
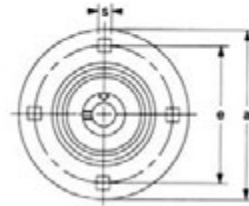
Standard Stock Item is Zinc Plated



BEARING UNITS



RELUBE ROUND FLANGETTE UNITS - Four Bolt Mount
SAPFG 200 Series
 Light Duty
 Eccentric Collar Locking



PF208G - PF211G

Unit No.	Shaft Dia.		Dimensions inch / mm									Bolt Size	No. of Bolt Holes	Bearing No.	Housing No.	Weight Lbs kg
	In.	mm	a	e	g	c	s	f	Bi	n	W					
SAPF208G		40														
208-24G	1-1/2		5-13/16	4-11/16	0.134	13/16	1/2	3-35/64	1.720	0.354	2-3/8	1/2	4	SA 208		2.85 1.29
208-25G	1-9/16		148	119	3.4	21	13	90	43.7	9.0	60.4	M14		208-24	PF208G	
														208-25		
SAPF209G		45														
209-26G	1-5/8		5-55/64	4-49/64	0.134	7/8	1/2	3-13/16	1.720	0.374	2-1/2	1/2	4	SA 209		3.20 1.45
209-27G	1-11/16		149	121	3.4	22	13	97	43.7	9.5	63.5	M14		209-26	PF209G	
209-28G	1-3/4													209-27		
														209-28		
SAPF210G		50														
210-30G	1-7/8		6-3/16	5	0.150	7/8	1/2	4-1/64	1.720	0.394	2-3/4	1/2	4	SA 210		3.50 1.59
210-31G	1-15/16		156	127	3.8	22	13	102	43.7	10.0	69.9	M14		210-30	PF210G	
210-32G	2S													210-31		
														210-32		
SAPF211G		55														
211-32G	2		6-3/16	5	0.150	7/8	1/2	4-1/64	1.720	0.394	2-3/4	1/2	4	SA 211		4.70 2.13
211-34G	2-1/8		156	127	3.8	22	13	102	43.7	10.0	69.9	M14		211-32	PF211G	
211-35G	2-3/16													211-34		
														211-35		

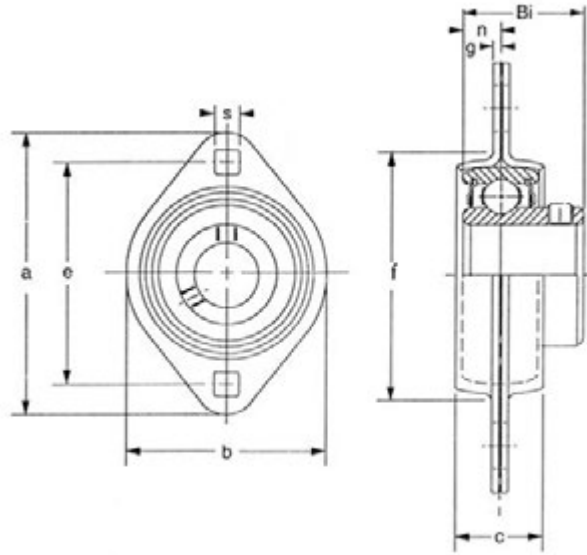
Standard Stock Item is Zinc Plated



BEARING UNITS



TWO BOLT FLANGETTE UNITS SBPFL 200 Series Light Duty Set Screw Locking



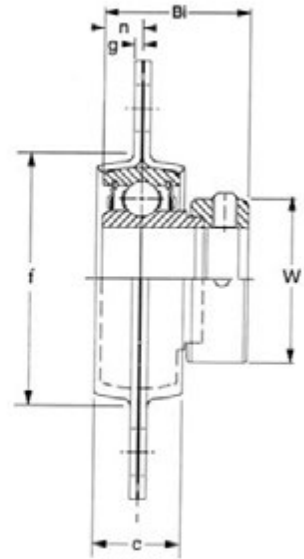
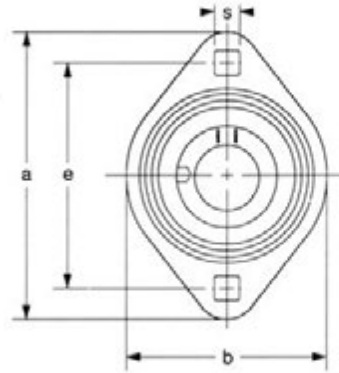
Unit No.	Shaft Dia.		Dimensions inch / mm								Bolt Size	Bearing No.	Housing No.	Weight Lbs kg	
	In.	mm	a	e	g	c	s	b	f	Bi					n
SBPFL 201-8 202-10	1/2 5/8		3-3/16 81	2-33/64 64	0.075 1.9	9/16 14	9/32 7	2-21/64 59	1-59/64 49	0.866 22	0.236 6.0	1/4 M6	SB 201-8 202-10	PFL203	0.42 0.19
SBPFL 204 204-12	3/4	20	3-35/64 90	2-51/64 71	0.083 2.1	5/8 16	11/32 9	2-5/8 67	2-7/32 56	0.954 25	0.276 7.0	5/16 M8	SB 204 204-12	PFL204	0.53 0.24
SBPFL 205 205-14 205-15 205-16	7/8 15/16 1	25	3-3/4 95	2-63/64 76	0.083 2.1	21/32 17	11/32 9	2-51/64 71	2-3/8 60	1.063 27	0.295 7.5	5/16 M8	SB 205 205-14 205-15 205-16	PFL205	0.62 0.28
SBPFL 206 206-17 206-18 206-19 206-20	1-1/16 1-1/8 1-3/16 1-1/4S	30	4-7/16 113	3-35/64 90	0.102 2.6	21/32 17	13/32 10	3-5/16 84	2-51/64 71	1.181 30	0.315 8.0	3/8 M10	SB 206 206-17 206-18 206-19 206-20	PFL206	0.84 0.38
SBPFL 207 207-20 207-21 207-22 207-23	1-1/4 1-5/16 1-3/8 1-7/16	35	4-29/32 125	3-15/16 100	0.102 2.6	7/8 22	13/32 10	3-11/16 94	3-3/16 81	1.260 32	0.335 8.5	3/8 M10	SB 207 207-20 207-21 207-22 207-23	PFL207	0.99 0.45



BEARING UNITS



TWO BOLT FLANGETTE UNITS SAPFL 200 Series Light Duty Eccentric Collar Locking



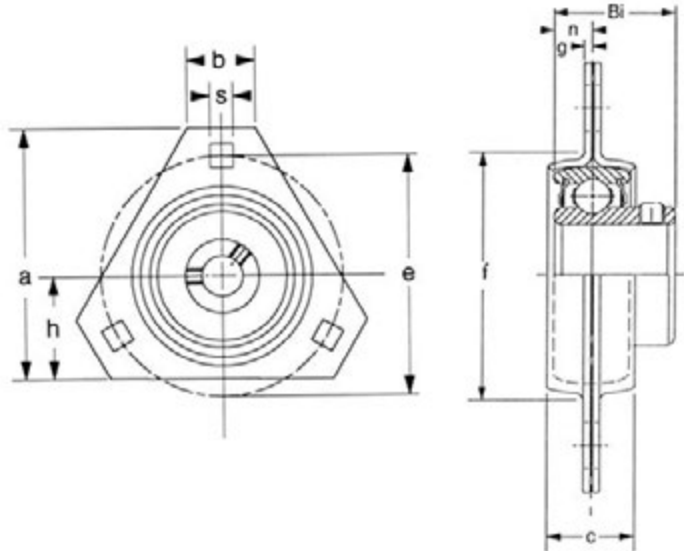
Unit No.	Shaft Dia.		Dimensions inch / mm									Bolt Size	Bearing No.	Housing No.	Weight Lbs kg	
	In.	mm	a	e	g	c	s	b	f	Bi	n					W
SAPFL 201-8 202-10	1/2 5/8		3-3/16 81	2-33/64 64	0.075 1.9	9/16 14	9/32 7	2-21/64 59	1-59/64 49	1.126 28.6	0.236 6.0	1-1/8 28.6	1/4 M6	SA 201-8 202-10	PFL203	0.44 0.2
SAPFL 204 204-12	3/4	20	3-35/64 90	2-51/64 71	0.083 2.1	5/8 16	11/32 9	2-5/8 67	2-7/32 56	1.220 31.0	0.276 7.0	1-1/4 32.0	5/16 M8	SA 204 204-12	PFL204	0.66 0.3
SAPFL 205 205-14 205-15 205-16	7/8 15/16 1	25	3-3/4 95	2-63/64 76	0.083 2.1	21/32 17	11/32 9	2-51/64 71	2-3/8 60	1.220 31.0	0.295 7.5	1-1/2 38.1	5/16 M8	SA 205 205-14 205-15 205-16	PFL205	0.66 0.3
SAPFL 206 206-17 206-18 206-19 206-20	1-1/16 1-1/8 1-3/16 1-1/4S	30	4-7/16 113	3-35/64 90	0.102 2.6	21/32 17	13/32 10	3-5/16 84	2-51/64 71	1.406 35.7	0.315 8.0	1-3/4 44.5	3/8 M10	SA 206 206-17 206-18 206-19 206-20	PFL206	1.10 0.5
SAPFL 207 207-20 207-21 207-22 207-23	1-1/4 1-5/16 1-3/8 1-7/16	35	4-29/32 125	3-15/16 100	0.102 2.6	7/8 22	13/32 10	3-11/16 94	3-3/16 81	1.531 38.9	0.335 8.5	2-3/16 55.6	3/8 M10	SA 207 207-20 207-21 207-22 207-23	PFL207	1.54 0.7



BEARING UNITS



TRIANGLE FLANGETTE UNITS - Three Bolt Mount SBPFT 200 Series Light Duty Set Screw Locking



Unit No.	Shaft Dia.		Dimensions inch / mm										Bolt Size	Bearing No.	Housing No.	Weight Lbs Kg						
	In.	mm	a	e	h	s	c	g	b	f	Bi	n										
SBPFT 201-8 202-10	1/2		2-23/32	2-33/64	1-3/16	9/32	9/16	0.075	13/16	1-59/64	0.866	0.236	1/4 M6	SB 201-8 202-10	PFT203	0.57 0.26						
	5/8		69	64	29	7	14	1.9	21	49	22	6.0										
SBPFT 204 204-12	3/4	20	2-63/64	2-51/64	1-19/64	11/32	5/8	0.083	1-1/16	2-7/32	0.984	0.276	5/16 M8	SB 204 204-12	PFT204	0.59 0.27						
		76	71	33	9	16	2.1	27	56	25	7.0											
SBPFT 205 205-14 205-15 205-16	7/8 15/16 1	25	3-1/8	2-63/64	1-3/8	11/32	21/32	0.083	1-3/32	2-19/32	1.063	0.295	5/16 M8	SB 205 205-14 205-15 205-16	PFT205	0.66 0.3						
			79	76	35	9	17	2.1	28	66	27	7.5										
			3-1/8	2-63/64	1-3/8	11/32	21/32	0.083	1-3/32	2-19/32	1.063	0.295					5/16	SB 205	PFT205	0.66		
			79	76	35	9	17	2.1	28	66	27	7.5					M8	205-14	205-15	205-16	0.3	
SBPFT 206 206-17 206-18 206-19 206-20	1-1/16 1-1/8 1-3/16 1-1/4S	30	3-11/16	3-35/64	1-1/2	13/32	21/32	0.102	31/32	2-51/64	1.181	0.315	3/8 M10	SB 206 206-17 206-18 206-19 206-20	PFT206	0.88 0.4						
			94	90	38	10	17	2.6	25	71	30	8										
			3-11/16	3-35/64	1-1/2	13/32	21/32	0.102	31/32	2-51/64	1.181	0.315					3/8	SB 206	PFT206	0.88		
			94	90	38	10	17	2.6	25	71	30	8					M10	206-17	206-18	206-19	206-20	0.4
			3-11/16	3-35/64	1-1/2	13/32	21/32	0.102	31/32	2-51/64	1.181	0.315					3/8	SB 206	PFT206	0.88		
SBPFT 207 207-20 207-21 207-22 207-23	1-1/4 1-5/16 1-3/8 1-7/16	35	4-11/64	3-15/16	1-3/4	13/32	3/4	0.102	1-1/4	3-3/16	1.260	0.335	3/8 M10	SB 207 207-20 207-21 207-22 207-23	PFT207	1.54 0.7						
			106	100	44	10	19	2.6	32	81	32	8.5										
			4-11/64	3-15/16	1-3/4	13/32	3/4	0.102	1-1/4	3-3/16	1.260	0.335					3/8	SB 207	PFT207	1.54		
			106	100	44	10	19	2.6	32	81	32	8.5					M10	207-20	207-21	207-22	207-23	0.7
			4-11/64	3-15/16	1-3/4	13/32	3/4	0.102	1-1/4	3-3/16	1.260	0.335					3/8	SB 207	PFT207	1.54		

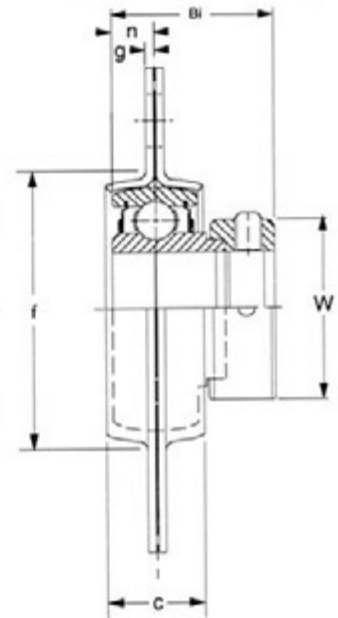
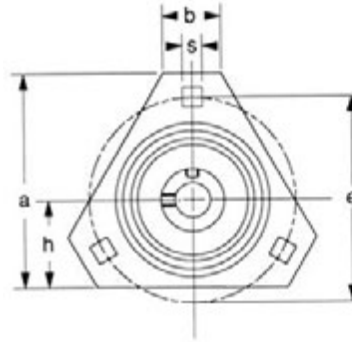


BEARING UNITS



TRIANGLE FLANGETTE UNITS - Three Bolt Mount SAPFT 200 Series

Light Duty
Eccentric Collar Locking



Unit No.	Shaft Dia.		Dimensions inch / mm										Bolt Size	Bearing No.	Housing No.	Weight Lbs kg	
	In.	mm	a	e	h	s	c	g	b	f	Bi	n					W
SAPFT 201-8 202-10	1/2 5/8		2-23/32 69	2-33/64 64	1-3/16 29	9/32 7	9/16 14	0.075 1.9	13/16 21	1-59/64 49	1.126 28.6	0.236 6.0	1-1/8 28.6	1/4 M6	SA 201-8 202-10	PFT203	0.57 0.26
SAPFT 204 204-12	3/4	20	2-63/64 76	2-51/64 71	1-19/64 33	11/32 9	5/8 16	0.083 2.1	1-1/16 27	2-7/32 56	1.220 31	0.276 7.0	1-1/4 32.0	5/16 M8	SA 204 204-12	PFT204	0.59 0.27
SAPFT 205 205-14 205-15 205-16	7/8 15/16 1	25	3-1/8 79	2-63/64 76	1-3/8 35	11/32 9	21/32 17	0.083 2.1	1-3/32 28	2-19/32 66	1.220 31	0.295 7.5	1-1/2 38.1	5/16 M8	SA 205 205-14 205-15 205-16	PFT205	0.66 0.3
SAPFT 206 206-17 206-18 206-19 206-20	1-1/16 1-1/8 1-3/16 1-1/4S	30	3-11/16 94	3-35/64 90	1-1/2 38	13/32 10	21/32 17	0.102 2.6	31/32 25	2-51/64 71	1.406 35.7	0.315 8	1-3/4 44.5	3/8 M10	SA 206 206-17 206-18 206-19 206-20	PFT206	0.88 0.4
SAPFT 207 207-20 207-21 207-22 207-23	1-1/4 1-5/16 1-3/8 1-7/16	35	4-11/64 106	3-15/16 100	1-3/4 44	13/32 10	3/4 19	0.102 2.6	1-1/4 32	3-3/16 81	1.531 38.9	0.335 8.5	2-3/16 55.6	3/8 M10	SA 207 207-20 207-21 207-22 207-23	PFT207	1.54 0.7



BEARING UNITS



RUBBER CARTRIDGES - Cylindrical OD - Vibration Damping
 Light Duty
 Eccentric Collar Locking



RCSM

* Also Available with Set Screw Locking in 200 Series Part Numbers. Add Suffix "S" to Part Number.
 Example - RCSM-12S assembled with Bearing No. CSB204-12 instead of CSA204-12.

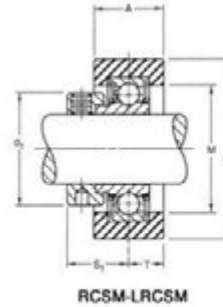
Unit No.	Shaft Dia.	Dimensions (mm)								Bearing No.	Rubber No.	Housing Radial Load Rating	Weight	
	In.	D	A	A1	G	M	d1	S1	T					Lbf N
RCSM SERIES														
RCSM-8	1/2	2-17/32 64.3	1 25.4	-	-	1-3/8 34.9	1-1/8 28.6	7/8 22.2	1/2 12.7	CSA 201-8	RCSM 40/65	200 880	0.87 /0.395	
RCSM-10	5/8									CSA 202-10				0.85 /0.386
RCSM-12	3/4	2-17/32 64.3	1 25.4	-	-	1-9/16 39.7	1-5/16 33.3	59/64 23.4	1/2 12.7	CSA 204-12	RCSM 47/65	250 1120	1.04 /0.472	
RCSM-14	7/8	2-17/32 64.3	1 25.4	-	-	1-25/32 45.2	1-1/2 38.1	59/64 23.4	1/2 12.7	CSA 205-14	RCSM 52/65	300 1340	1.19 /0.540	
RCSM-15	15/16									CSA 205-15				1.17 /0.531
RCSM-16	1									CSA 205-16				1.13 /0.513
RCSM-17	1-1/16	3-3/32 78.6	1-3/16 30	-	-	1-7/8 48	1-3/4 44.4	1-3/32 27.7	19/32 15	CSA 206-17	RCSM 62/79	300 1340	1.76 /0.798	
RCSM-18	1-1/8									CSA 206-18				1.69 /0.767
RCSM-19	1-3/16									CSA 206-19				
RCSM-20	1-1/4S									CSA 206-20				
		<ul style="list-style-type: none"> + RCSM Series part numbers are complete assemblies. + Cylindrical OD insert bearing mounted in rubber cushion. + Static conductive rubber cushion dampens vibrations. + Standard Part Number is eccentric collar locking type. 												



BEARING UNITS



RUBBER CARTRIDGES - Cylindrical OD - Vibration Damping
 Light Duty
 Set Screw Locking



RCSM-S

* Also Available with Eccentric Collar Lock in 200 Series Part Numbers.

Example - RCSM-12 assembled with Bearing No. CSA204-12 instead of CSB204-12.

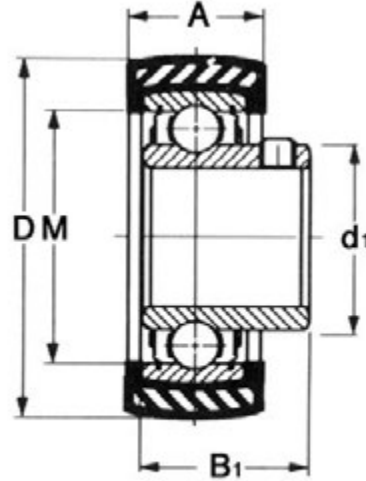
Unit No.	Shaft Dia.	Dimensions (mm)								Bearing No.	Rubber No.	Housing Radial Load Rating	Weight							
	In.	D	A	A1	G	M	d1	S1	T					Lbf N	Lbs kg					
RCSM-S SERIES																				
RCSM-8S	1/2	2-17/32	1	-	-	1-3/8	1-1/8	7/8	1/2	CSB 201-8	RCSM 40/65	200 880	0.83/0.377 0.81/0.367							
RCSM-10S	5/8	64.3	25.4	-	-	34.9	28.6	22.2	12.7	CSB 202-10										
RCSM-12S	3/4	2-17/32	1	-	-	1-9/16	1-5/16	59/64	1/2	CSB 204-12	RCSM 47/65	250 1120	0.98/0.445							
RCSM-14S	7/8	2-17/32	1	-	-	1-25/32	1-1/2	59/64	1/2	CSB 205-14	RCSM 52/65	300 1340	1.11/0.504 1.11/0.504 1.06/0.481							
RCSM-15S	15/16									64.3				25.4	-	-	45.2	38.1	23.4	CSB 205-15
RCSM-16S	1									CSB 205-16										
RCSM-17S	1-1/16	3-3/32	1-3/16	-	-	1-7/8	1-3/4	1-3/32	19/32	CSB 206-17	RCSM 62/79	300 1340	1.62/0.735 1.60/0.726 1.58/0.717 1.56/0.708							
RCSM-18S	1-1/8									78.6				30	-	-	48	44.4	27.7	CSB 206-18
RCSM-19S	1-3/16									CSB 206-19										
RCSM-20S	1-1/4S									CSB 206-20										
<ul style="list-style-type: none"> + RCSM Series part numbers are complete assemblies. + Cylindrical OD insert bearing mounted in rubber cushion. + Static conductive rubber cushion dampens vibrations. + Standard Part Number is eccentric collar locking type. 																				



BEARING UNITS



RUBBER CARTRIDGES - Spherical OD - Vibration Damping
SBR 200 Series
 Light Duty
 Set Screw Locking



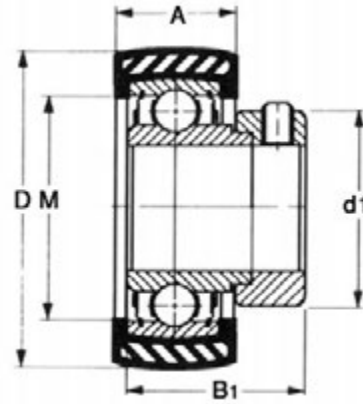
Unit No.	Shaft Dia.		Dimensions (mm)					Bearing No.	Rubber No.	Radial Load Rating lbf / N
	In.	mm	D	B1	A	M	d1			
	SBR 201-8 202-10	1/2 5/8		1-55/64 47.37	7/8 22	11/16 17.5	1-3/8 34.9			
SBR 204 204-12	3/4	20	2-7/64 53.37	31/32 25	11/16 17.5	1-5/8 41.3	1-1/8 28.7	SB 204 204-12	R-5	250 1110
SBR 205 205-14 205-15 205-16	7/8 15/16 1	25	2-29/64 62.38	31/32 25	13/16 20.6	1-27/32 46.8	1-5/16 33.7	SB 205 205-14 205-15 205-16	R-6	300 1330
SBR 206 206-17 206-18 206-19 206-20	1-1/16 1-1/8 1-3/16 1-1/4S	30	2-27/32 72.38	1-3/16 30	7/8 22	2-7/16 62	1-19/32 40.5	SB 206 206-17 206-18 206-19 206-20	R-7	300 1330



BEARING UNITS



RUBBER CARTRIDGES - Spherical OD - Vibration Damping
SAR 200 Series
 Light Duty
 Eccentric Collar Locking



Unit No.	Shaft Dia.		Dimensions inch / mm							Bearing No.	Rubber No.	Radial Load Rating Lbf / N
	In.	mm	D	B1	A	M	d1	S1	T			
SAR 201-8 202-10	1/2 5/8		1-55/64 47.37	1-1/8 28.6	11/16 17.5	1-3/8 34.9	1-1/8 28.6	7/8 22.2	11/32 8.7	SA 201-8 202-10	R-4	200 889
SAR 204 204-12	3/4	20	2-7/64 53.37	1-1/4 31	11/16 17.5	1-5/8 41.3	1-5/16 33.3	59/64 23.4	11/32 8.7	SA 204 204-12	R-5	250 1110
SAR 205 205-14 205-15 205-16	7/8 15/16 1	25	2-29/64 62.38	1-1/4 31	13/16 20.6	1-27/32 46.8	1-1/2 38.1	59/64 23.4	13/32 10.3	SA 205 205-14 205-15 205-16	R-6	300 1330
SAR 206 206-17 206-18 206-19 206-20	1-1/16 1-1/8 1-3/16 1-1/4S	30	2-27/32 72.34	1-13/32 35.7	7/8 22	2-7/16 62	1-3/4 44.5	1-1/8 28.6	13/32 10.3	SA 206 206-17 206-18 206-19 206-20	R-7	300 1330

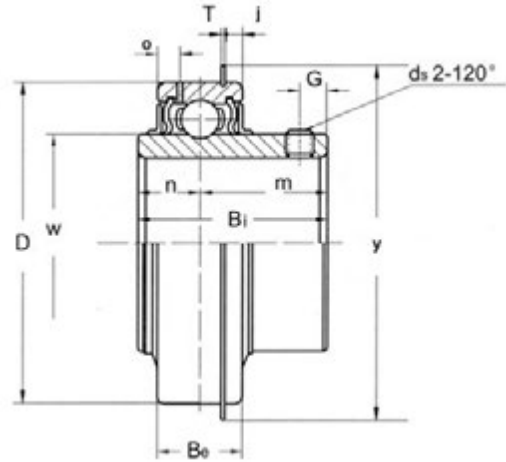


WIDE INNER RING BEARINGS



SER 200 Series - Cylindrical OD - Snap Ring

Normal Duty
Set Screw Locking



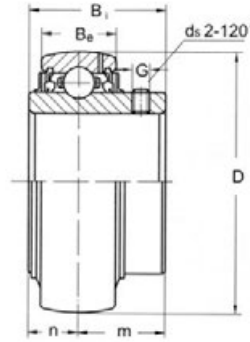
Unit No.	Shaft Dia.		Dimensions inch / mm											Basic Load Ratings Lbf / N		Weight Lbs kg	
	In.	mm	D	Bi	Be	n	m	W	o	T	j	G	ds	Y	Dynamic C		Static Co
SER 201-8	1/2		1.85039 47	1-1/4 31.0	5/8 15.9	29/64 11.5	49/64 19.5	1-1/8 28.3	0.157 4.0	0.053 1.35	0.097 2.46	0.197 5.0	1/4-28UNF M6x1.0	2-5/64 52.7	2900 12890	6490 1460	0.55 0.25
202-10	5/8	20															
204																	
204-12	3/4																
SER 205		25	2.04724 52	1-3/8 34.9	3/4 19.1	33/64 13.1	55/64 21.8	1-11/32 34.0	0.205 5.2	0.053 1.35	0.097 2.46	0.220 5.6	1/4-28UNF M6x1.0	2-9/32 57.9	3150 14000	1700 7560	0.68 0.31
205-14	7/8																
205-15	15/16																
205-16	1																
SER 206		30	2.44094 62	1-1/2 38.1	7/8 22.2	5/8 15.9	7/8 22.2	1-19/32 40.3	0.220 5.6	0.075 1.90	1/8 3.28	0.220 5.6	1/4-28UNF M6x1.0	2-21/32 67.7	4390 19520	2510 11160	0.92 0.42
206-17	1-1/16																
206-18	1-1/8																
206-19	1-3/16																
206-20	1-1/4	35	2.83465 72	1-11/16 42.9	15/16 23.8	11/16 17.5	1 25.4	1-27/32 46.9	0.220 5.6	0.075 1.90	1/8 3.28	1/4 6.4	5/16-24UNF M8x1.0	3-3/32 78.6	5770 25650	3450 15340	1.36 0.62
207-20	1-1/4																
207-21	1-5/16																
207-22	1-3/8																
207-23	1-7/16																
SER 208		40	3.14961 80	1-15/16 49.2	1-3/32 27.8	3/4 19.0	1-3/16 30.2	2-1/16 52.4	1/4 6.4	0.075 1.90	1/8 3.28	5/16 8.0	5/16-24UNF M8x1.0	3-13/32 86.6	6500 28900	17120 3850	2.00 0.91
208-24	1-1/2																
208-25	1-9/16																
SER 209		45	3.34646 85	1-15/16 49.2	1-3/32 27.8	3/4 19.0	1-3/16 30.2	2-17/64 57.4	1/4 6.4	0.075 1.90	1/8 3.28	5/16 8.0	3/8-24UNF M10x1.25	3-39/64 91.6	7350 32680	4100 18230	2.31 1.05
209-26	1-5/8																
209-27	1-11/16																
209-28	1-3/4																
SER 210		50	3.54331 90	2-1/32 51.6	1-1/8 28.6	3/4 19.0	1-9/32 32.6	2-29/64 62.4	0.295 7.5	0.106 2.70	1/8 3.28	3/8 9.5	3/8-24UNF M10x1.25	3-13/16 96.6	7900 35120	4690 20850	2.42 1.1
210-30	1-7/8																
210-31	1-15/16																
SER 211		55	3.93701 100	2-3/16 55.6	1-3/16 30.2	7/8 22.2	1-5/16 33.4	2-45/64 68.7	0.295 7.5	0.106 2.70	1/8 3.28	3/8 9.5	3/8-24UNF M10x1.25	4-17/32 106.6	9750 43350	5850 26000	2.99 1.36
211-32	2																
211-34	2-1/8																
211-35	2-3/16																
SER 212		60	4.33071 110	2-9/16 65.1	1-1/4 31.8	1 25.4	1-9/16 39.7	3 77	0.295 7.5	0.106 2.70	1/8 3.28	7/16 11.1	3/8-24UNF M10x1.25	4-15/32 116.6	11500 51130	8100 36010	5.57 2.53
212-36	2-1/4																
212-38	2-3/8																
212-39	2-7/16																
SER 213		65	4.72441 120	2-9/16 65.1	1-1/4 32	1 25.4	1-9/16 39.7	3-1/4 82.5	5/16 7.9	0.110 2.80	0.157 4.00	7/16 11.1	3/8-24UNF M10x1.25	5-5/16 134.7	12800 56910	8900 39570	6.38 2.9
213-40	2-1/2																
SER 215		75	5.11811 130	3-1/16 77.8	1-1/2 38.1	1-5/16 33.3	1-3/4 44.5	3-35/64 90.2	13/32 10.0	0.122 3.10	0.164 4.16	15/32 12	3/8-24UNF M10x1.25	5-1/2 139.7	14900 66250	11000 48910	7.92 3.6
215-47	2-15/16																
215-48	3																



WIDE INNER RING BEARINGS



UC 200 Series - Spherical OD Normal Duty Set Screw Locking



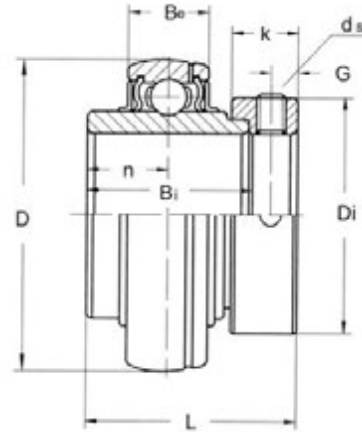
Unit No.	Shaft Dia.		Dimensions inch / mm						Basic load Ratings lbf / N		Weight		
	In.	mm	D	Bi	Be	n	m	G	ds	dynamic C	static Co	kg	Lbs
UC 201		12										0.21	0.46
201-8	1/2											0.21	0.46
202		15										0.20	0.44
202-10	5/8		1.85039	1-1/4	5/8	1/2	23/32	0.197	1/4-28UNF	2900	1460	0.19	0.42
204		20	47	31	16	12.7	18.3	5	M6x1.0	12890	6490	0.17	0.37
204-12	3/4											0.18	0.40
UC 205		25										0.20	0.44
205-14	7/8											0.23	0.51
205-15	15/16		2.04724	1-11/32	21/32	9/16	25/32	0.216	1/4-28UNF	3150	1700	0.21	0.46
205-16	1		52	34	17	14.3	19.7	5.5	M6x1.0	14000	7560	0.20	0.44
UC 206		30										0.33	0.73
206-17	1-1/16											0.37	0.81
206-18	1-1/8		2.44094	1-1/2	3/4	5/8	7/8	1/4	1/4-28UNF	4390	2510	0.35	0.77
206-19	1-3/16		62	38.1	19	15.9	22.2	6	M6x1.0	19510	11160	0.33	0.73
206-20	1-1/4S											0.30	0.66
UC 207		35										0.40	0.88
207-20	1-1/4											0.55	1.21
207-21	1-5/16		2.83465	1-11/16	25/32	11/16	1	0.256	5-16/24UNF	5770	3450	0.52	1.14
207-22	1-3/8		72	42.9	20	17.5	25.4	6.5	M8x1.0	25640	15330	0.49	1.08
207-23	1-7/16											0.46	1.01
UC 208		40										0.65	1.43
208-24	1-1/2											0.69	1.52
208-25	1-9/16		3.14961	1-15/16	13/16	3/4	1-3/16	5/16	5-16/24UNF	6500	3850	0.67	1.47
			80	49.2	21	19	30.2	8	M8x1.0	28890	17110	0.70	1.54
UC 209		45										0.70	1.54
209-26	1-5/8											0.80	1.76
209-27	1-11/16		3.34646	1-15/16	7/8	3/4	1-3/16	5/16	5-16/24UNF	7350	4100	0.76	1.67
209-28	1-3/4		85	49.2	22	19	30.2	8	M8x1.0	32670	18220	0.71	1.56
UC 210		50										0.80	1.76
210-30	1-7/8											0.87	1.91
210-31	1-15/16		3.54331	2-1/32	15/16	3/4	1-9/32	11/32	3/8-24UNF	7900	4690	0.82	1.80
210-32	2S		90	51.6	24	19	32.6	9	M10x1.25	35110	20840	0.77	1.69
UC 211		55										1.08	2.38
211-32	2											1.23	2.71
211-34	2-1/8		3.93701	2-3/16	31/32	7/8	1-5/16	11/32	3/8-24UNF	9750	5850	1.18	2.60
211-35	2-3/16		100	55.6	25	22.2	33.4	9	M10x1.25	43330	26000	1.06	2.33
UC 212		60										1.53	3.37
212-36	2-1/4											1.66	3.65
212-37	2-5/16		4.33071	2-9/16	1-1/16	1	1-9/16	27/64	3/8-24UNF	11500	8100	1.52	3.35
212-38	2-3/8		110	65.1	27	25.4	39.7	10.5	M10x1.25	51110	36000	1.51	3.32
212-39	2-7/16											1.44	3.17
UC 213		65										1.85	4.07
213-40	2-1/2											1.94	4.27
213-41	2-9/16		4.72441	2-9/16	1-3/32	1	1-9/16	15/32	3/8-24UNF	12800	8900	1.72	3.80
			120	65.1	28	25.4	39.7	12	M10x1.25	56890	39560	1.72	3.80
UC 214		70										2.10	4.62
214-42	2-5/8											2.38	5.25
214-43	2-11/16		4.92126	2-15/16	1-3/16	1-3/16	1-3/4	15/32	7/16-20UNF	14000	9900	2.20	4.84
214-44	2-3/4		125	74.6	30	30.2	44.4	12	M12x1.25	62220	44000	2.11	4.64
UC 215		75										2.35	5.17
215-45	2-13/16											2.38	5.25
215-46	2-7/8		5.11811	3-1/16	1-3/16	1-5/16	1-3/4	15/32	7/16-20UNF	14900	11000	2.25	4.95
215-47	2-15/16		130	77.8	30	33.3	44.5	12	M12x1.25	66220	48890	2.39	5.26
215-48	3											2.26	4.97



WIDE INNER RING BEARINGS



HC 200 Series- Spherical OD
Normal Duty
Eccentric Collar Locking



Unit No.	Shaft Dia.		Dimensions inch / mm									Basic load Ratings lbf / N		Weight	
	In.	mm	D	L	Bi	Be	n	Di	K	G	ds	dynamic C	static Co	kg	Lbs
HC 201-8	1/2													0.23	0.51
202-10	5/8	20	1.85039	1-23/32	1-11/32	21/32	21/32	1-5/16	17/32	0.197	1/4-28UNF	2900	1460	0.28	0.62
204			47	43.5	34	17	17	33.3	13.5	5	M6x1.0	12890	6490	0.24	0.53
204-12	3/4													0.21	0.46
HC 205		25												0.27	0.59
205-14	7/8		2.04724	1-3/4	1-3/8	21/32	11/16	1-1/2	17/32	0.197	1/4-28UNF	3150	1700	0.26	0.57
205-15	15/16		52	44.3	34.8	17	17.4	38.1	13.5	5	M6x1.0	14000	7560	0.25	0.55
205-16	1													0.23	0.51
HC 206		30												0.45	0.99
206-17	1-1/16		2.44094	1-29/32	1-7/16	3/4	23/32	1-3/4	5/8	0.236	5/16-24UNF	4390	2510	0.43	0.95
206-18	1-1/8		62	48.3	36.4	19	18.2	44.5	15.9	6	M8x1.0	19510	11160	0.38	0.84
206-19	1-3/16													0.36	0.79
206-20	1-1/4S													0.40	0.88
HC 207		35												0.60	1.32
207-20	1-1/4		2.83465	2-1/64	1-31/64	25/32	3/4	2-3/16	11/16	0.256	5/16-24UNF	5770	3450	0.66	1.45
207-21	1-5/16		72	51.1	37.6	20	18.8	55.6	17.5	6.5	M8x1.0	25648	15340	0.64	1.41
207-22	1-3/8													0.61	1.34
207-23	1-7/16													0.58	1.28
HC 208		40												0.79	1.74
208-24	1-1/2		3.14961	2-7/32	1-11/16	13/16	27/32	2-3/8	23/32	0.256	5/16-24UNF	6500	3850	0.86	1.89
208-25	1-9/16		80	56.3	42.8	21	21.4	60.3	18.3	6.5	M8x1.0	28890	17110	0.82	1.80
HC 209		45												0.85	1.87
209-26	1-5/8		3.34646	2-7/32	1-11/16	7/8	27/32	2-1/2	23/32	0.256	5/16-24UNF	7350	4100	0.93	2.05
209-27	1-11/16		85	56.3	42.8	22	21.4	63.5	18.3	6.5	M8x1.0	32670	18225	0.90	1.98
209-28	1-3/4													0.85	1.87
HC 210		50												0.98	2.16
210-30	1-7/8		3.54331	2-15/32	1-15/16	15/16	31/32	2-3/4	23/32	0.256	5/16-24UNF	7900	4690	1.07	2.35
210-31	1-15/16		90	62.7	49.2	24	24.6	69.9	18.3	6.5	M8x1.0	35120	20850	1.03	2.27
210-32	2S													0.95	2.09
HC 211		55												1.32	2.90
211-32	2		3.93701	2-13/16	2-3/16	31/32	1-3/32	3	25/32	5/16	3/8-24UNF	9750	5850	1.49	3.28
211-34	2-1/8		100	71.4	55.4	25	27.7	76.2	20	8	M10x1.25	43340	26000	1.37	3.01
211-35	2-3/16													1.32	2.90
HC 212		60												1.87	4.11
212-36	2-1/4		4.33701	3-1/16	2-7/16	1-1/16	1-7/32	3-5/16	7/8	5/16	3/8-24UNF	11500	8100	1.99	4.38
212-38	2-3/8		110	77.7	61.8	27	30.9	84	22.3	8	M10x1.25	51120	36000	1.84	4.05
212-39	2-7/16													1.76	3.87
HC 213		65												2.48	5.46
213-40	2-1/2		4.72441	3-3/8	2-11/16	1-3/32	1-11/32	3-25/64	59/64	0.335	3/8-24UNF	12800	8900	2.49	5.48
213-41	2-9/16		120	85.7	68.2	28	34.1	86	23.5	8.5	M10x1.25	56900	39560	2.15	4.75
HC 214		70												2.47	5.43
214-42	2-5/8		4.92126	3-3/8	2-11/16	1-3/16	1-11/32	3-13/16	59/64	0.335	3/8-24UNF	14000	9900	2.61	5.75
214-43	2-11/16		125	85.7	68.2	30	34.1	96.8	23.5	8.5	M10x1.25	62230	44010	2.70	5.94
214-44	2-3/4													2.35	5.17
HC 215		75												2.68	5.90
215-45	2-15/16		5.11811	3-5/8	2-15/16	1-3/16	1-15/32	4-1/64	59/64	0.335	3/8-24UNF	14900	11000	3.11	6.85
215-46	2-7/8		130	92.1	74.6	30	37.3	102	23.5	8.5	M10x1.25	66230	48900	2.99	6.60
215-47	2-15/16													2.67	5.87
215-48	3													2.55	5.61

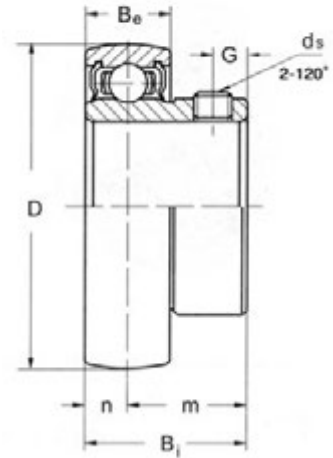


NARROW INNER RING BEARINGS



SB 200 Series - Spherical OD

Light Duty
Set Screw Locking
Available Relubricatable
Add Suffix "G"



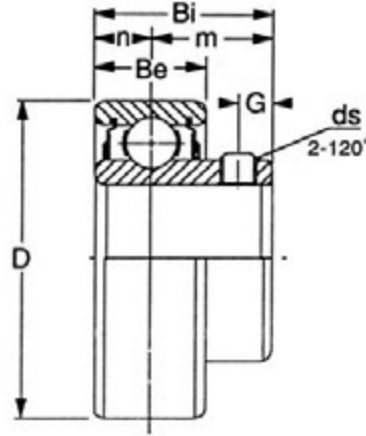
Unit No.	Shaft Dia.		Dimensions inch / mm							Basic load Ratings lbf / N		Weight	
	In.	mm	D	Bi	Be	n	m	G	ds	dynamic C	static Co	kg	Lbs
SB 201		12											
201-8	1/2											0.10	0.22
202		15	1.57480	7/8	15/32	1/4	5/8	0.157	1/4-28UNF	2160	990	0.10	0.22
202-10	5/8		40	22	12	6.0	16.0	4	M6x1.0	9600	4400	0.09	0.20
SB 204		20											
204-12	3/4		1.85039	31/32	9/16	9/32	23/32	0.197	1/4-28UNF	2900	1460	0.13	0.29
			47	25	14	7.0	18.0	5	M6x1.0	12890	6490	0.13	0.29
SB 205		25											
205-14	7/8		2.04724	1-1/16	19/32	0.295	49/64	0.216	1/4-28UNF	3150	1700	0.16	0.35
205-15	15/16		52	27	15	7.5	19.5	5.5	M6x1.0	14000	7560	0.18	0.40
205-16	1											0.18	0.40
												0.16	0.35
SB 206		30											
206-17	1-1/16		2.44094	1-3/16	5/8	5/16	7/8	1/4	5/16-24UNF	4390	2510	0.25	0.55
206-18	1-1/8		62	30	16	8.0	22.0	6	M8x1.0	19510	11160	0.27	0.59
206-19	1-3/16											0.26	0.57
206-20	1-1/4S											0.25	0.55
												0.24	0.53
SB 207		35											
207-20	1-1/4		2.83465	1-1/4	21/32	0.335	59/64	1/4	5/16-24UNF	5770	3450	0.38	0.84
207-21	1-5/16		72	32	17	8.5	23.5	6	M8x1.0	25640	15330	0.43	0.95
207-22	1-3/8											0.42	0.92
207-23	1-7/16											0.38	0.84
												0.31	0.68
SB 208		40											
208-24	1-1/2		3.14961	1-11/32	23/32	11/32	31/32	1/4	5/16-24UNF	6500	3850	0.50	1.10
208-25	1-9/16		80	34	18	9.0	25	6	M8x1.0	28890	17110	0.52	1.14
												0.52	1.14
SB 209		45											
209-26	1-5/8		3.34646	1-5/8	3/4	3/8	1-1/4	0.268	5/16-24UNF	7350	4100	0.65	1.43
209-27	1-11/16		85	41	19	9.5	31.5	6.8	M8x1.0	32670	18220	0.76	1.67
209-28	1-3/4											0.73	1.61
												0.70	1.54
SB 210		50											
210-30	1-7/8		3.54331	1-11/16	25/32	25/64	1-19/64	0.268	3/8-24UNF	7900	4690	0.70	1.54
210-31	1-15/16		90	43	20	10	33	6.8	M10x1.25	35120	20850	0.83	1.83
												0.79	1.74
SB 211		55											
211-32	2		3.93701	1-3/4	15/16	15/32	1-9/32	5/16	3/8-24UNF	9750	5850	0.77	1.69
			100	44.5	24	12	32.5	8	M10x1.25	43340	26000	0.96	2.11



NARROW INNER RING BEARINGS



CSB 200 Series - Cylindrical OD
 Light Duty
 Set Screw Locking



Cylindrical O. D.

Unit No.	Shaft Dia.		Dimensions inch / mm							Basic load Ratings lbf / N		Weight	
	In.	mm	D	Bi	Be	n	m	G	ds	dynamic C	static Co	kg	Lbs
CSB 201		12										0.10	0.22
201-8	1/2											0.10	0.22
202		15	1.57480	7/8	15/32	0.236	5/8	0.157	1/4-28UNF	2160	990	0.09	0.20
202-10	5/8		40	22	12	6.0	16.0	4	M6x1.0	9600	4400	0.09	0.20
CSB 204		20										0.13	0.29
204-12	3/4											0.13	0.29
			1.85039	31/32	9/16	9/32	23/32	0.197	1/4-28UNF	2900	1460	0.13	0.29
			47	25	14	7.0	18.0	5	M6x1.0	12890	6490	0.13	0.29
CSB 205		25										0.16	0.35
205-14	7/8											0.18	0.40
205-15	15/16		2.04724	1-1/16	19/32	0.295	49/64	0.216	1/4-28UNF	3150	1700	0.18	0.40
205-16	1		52	27	15	7.5	19.5	5.5	M6x1.0	14000	7560	0.18	0.40
												0.16	0.35
CSB 206		30										0.25	0.55
206-17	1-1/16											0.27	0.59
206-18	1-1/8		2.44094	1-3/16	5/8	5/16	7/8	0.236	5/16-24UNF	4390	2510	0.26	0.57
206-19	1-3/16		62	30	16	8.0	22.0	6	M8x1.0	19510	11160	0.25	0.55
206-20	1-1/4S											0.24	0.53
CSB 207		35										0.38	0.84
207-20	1-1/4											0.43	0.95
207-21	1-5/16		2.83465	1-1/4	21/32	0.335	59/64	0.236	5/16-24UNF	5770	3450	0.42	0.92
207-22	1-3/8		72	32	17	8.5	23.5	6	M8x1.0	25650	15340	0.38	0.84
207-23	1-7/16											0.31	0.68
CSB 208		40										0.50	1.10
208-24	1-1/2											0.52	1.14
208-25	1-9/16		3.14961	1-11/32	23/32	11/32	31/32	5/16	5/16-24UNF	6500	3850	0.52	1.14
			80	34	18	9.0	25.0	8	M8x1.0	28890	17110	0.52	1.14
CSB 209		45										0.65	1.43
209-26	1-5/8											0.76	1.67
209-27	1-11/16		3.34646	1-5/8	3/4	3/8	1-1/4	0.268	5/16-24UNF	7350	4100	0.73	1.61
209-28	1-3/4		85	41	19	9.5	31.5	6.8	M8x1.0	32670	18220	0.70	1.54
CSB 210		50										0.70	1.54
210-30	1-7/8											0.83	1.83
210-31	1-15/16		3.54331	1-11/16	25/32	25/64	1-19/64	0.268	3/8-24UNF	7900	4690	0.79	1.74
			90	43	20	10	33	6.8	M10x1.25	35120	20850	0.79	1.74
CSB 211		55										0.77	1.69
211-32	2		3.93701	1-3/4	15/16	15/32	1-9/32	5/16	3/8-24UNF	9750	5850	0.96	2.11
			100	44.5	24	12	32.5	8	M10x1.25	43340	26000	0.96	2.11

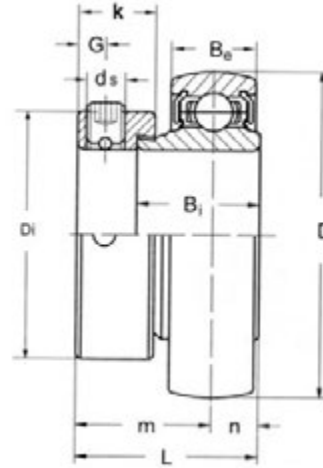


NARROW INNER RING BEARINGS



SA 200 Series - Spherical OD

Light Duty
Set Screw Locking
Available Relubricatable
Add Suffix "G"



Unit No.	Shaft Dia.		Dimensions inch / mm									Basic load Ratings lbf / N		Weight		
	In.	mm	D	L	Bi	Be	n	m	Di	K	G	ds	dynamic C	static Co	kg	Lbs
SA 201		12														
201-8	1/2	15	1.57480	1-1/8	3/4	15/32	0.236	57/64	1-3/16	17/32	0.189	1/4-28UNF	2160	990	0.12	0.26
202			40	28.6	19	12	6	22.6	29.0	13.5	4.8	M6x1.0	9600	4400	0.11	0.24
202-10	5/8														0.11	0.24
SA 204		20														
204-12	3/4		1.85039	1-1/4	27/32	9/16	9/32	15/16	1-19/64	17/32	0.189	1/4-28UNF	2900	1460	0.17	0.37
			47	31	21.5	14	7	24	33.0	13.5	4.8	M6x1.0	12890	6490	0.16	0.35
SA 205		25														
205-14	7/8		2.04724	1-1/4	27/32	19/32	0.295	59/64	1-1/2	17/32	0.189	1/4-28UNF	3150	1700	0.20	0.44
205-15	15/16		52	31	21.5	15	7.5	23.5	38.0	13.5	4.8	M6x1.0	14000	7560	0.21	0.46
205-16	1														0.19	0.42
SA 206		30														
206-17	1-1/16		2.44094	1-13/32	15/16	5/8	5/16	1-3/32	1-3/4	5/8	0.236	1/4-28UNF	4390	2510	0.31	0.68
206-18	1-1/8		62	35.7	23.8	16	8	27.7	44.5	15.9	6.0	M6x1.0	19510	11160	0.33	0.73
206-19	1-3/16														0.30	0.66
206-20	1-1/4S														0.28	0.62
SA 207		35														
207-20	1-1/4		2.83465	1-17/32	1	21/32	0.335	1-13/64	2-3/16	11/16	0.268	5/16-24UNF	5770	3450	0.49	1.08
207-21	1-5/16		72	38.9	25.4	17	8.5	30.4	55.5	17.5	6.8	M8x1.0	25650	15340	0.52	1.14
207-22	1-3/8														0.50	1.10
207-23	1-7/16														0.47	1.03
SA 208		40														
208-24	1-1/2		3.14961	1-23/32	1-3/16	23/32	11/32	1-23/64	2-3/8	23/32	0.268	5/16-24UNF	6500	3850	0.66	1.45
208-25	1-9/16		80	43.7	30.2	18	9	34.7	60.0	18.3	6.8	M8x1.0	28890	17110	0.64	1.41
SA 209		45														
209-26	1-5/8		3.34646	1-23/32	1-3/16	3/4	3/8	1-11/32	2-1/2	23/32	0.268	5/16-24UNF	7350	4100	0.65	1.43
209-27	1-11/16		85	43.7	30.2	19	9.5	34.2	63.5	18.3	6.8	M8x1.0	32670	18220	0.76	1.67
209-28	1-3/4														0.73	1.61
SA 210		50														
210-30	1-7/8		3.54331	1-23/32	1-3/16	25/32	13/32	1-5/16	2-3/4	23/32	0.268	3/8-24UNF	7900	4690	0.70	1.54
210-31	1-15/16		90	43.7	30.2	20	10	33.7	69.8	18.3	6.8	M10x1.25	35120	20850	0.83	1.83
210-32	2S														0.79	1.74
SA 211		55														
211-32	2		3.93701	1-29/32	1-9/32	15/16	15/32	1-7/16	3	13/16	5/16	3/8-24UNF	9750	5850	0.77	1.69
211-34	2-1/8		100	48.4	32.5	24	12	36.4	76.2	20.6	8	M10x1.25	43340	26000	0.96	2.11
211-35	2-3/16														0.87	1.91
															0.81	1.78



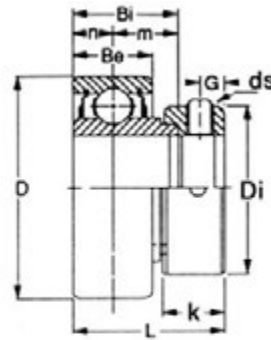
NARROW INNER RING BEARINGS



CSA 200 Series - Cylindrical OD

Light Duty

Eccentric Collar Locking



Cylindrical O. D.

Unit No.	Shaft Dia.		Dimensions inch / mm										Basic load Ratings lbf / N		Weight			
	In.	mm	D	L	Bi	Be	n	m	Di	K	G	ds	dynamic C	static Co	kg	Lbs		
CSA 201	1/2	12	1.57480 40	1-1/8 28.6	3/4 19	15/32 12	0.236 6	57/64 22.6	1-3/16 29	17/32 13.5	0.189 4.8	M6x1.0 1/4-28UNF	2160 9600	990 4400	0.12	0.26		
201-8		15															0.12	0.26
202		15															0.11	0.24
202-10	5/8	15	0.11	0.24														
CSA 204	3/4	20	1.85039 47	1-1/4 31	27/32 21.5	9/16 14	9/32 7	15/16 24	1-19/64 33.0	17/32 13.5	0.189 4.8	M6x1.0 1/4-28UNF	2900 12890	1460 6490	0.17	0.37		
204-12		3/4															0.16	0.35
CSA 205	7/8	25	2.04724 52	1-1/4 31	27/32 21.5	19/32 15	0.295 7.5	59/64 23.5	1-1/2 38.0	17/32 13.5	0.189 4.8	M6x1.0 1/4-28UNF	3150 14000	1700 7560	0.20	0.44		
205-14		15/16															0.22	0.48
205-15		1															0.21	0.46
205-16		1															0.19	0.42
CSA 206	1-1/16	30	2.44094 62	1-13/32 35.7	15/16 23.8	5/8 16	5/16 8	1-3/32 27.7	1-3/4 44.5	5/8 15.9	0.236 6.0	M6x1.0 1/4-28UNF	4390 19510	2510 11160	0.31	0.68		
206-17		1-1/8															0.33	0.73
206-18		1-3/16															0.33	0.73
206-19		1-1/4S															0.30	0.66
206-20		1-1/4S															0.28	0.62
CSA 207	1-1/4	35	2.83465 72	1-17/32 38.9	1 25.4	21/32 17	0.335 8.5	1-13/64 30.4	2-3/16 55.5	11/16 17.5	0.268 6.8	M8x1.0 5/16-24UNF	5770 25650	3450 15340	0.49	1.08		
207-20		1-5/16															0.52	1.14
207-21		1-3/8															0.50	1.10
207-22		1-7/16															0.47	1.03
207-23		1-7/16															0.45	0.99
CSA 208	1-1/2	40	3.14961 80	1-23/32 43.7	1-3/16 30.2	23/32 18	11/32 9	1-23/64 34.7	2-3/8 60	23/32 18.3	0.268 6.8	M8x1.0 5/16-24UNF	6500 28890	3850 17110	0.66	1.45		
208-24		1-9/16															0.64	1.41
208-25		1-9/16															0.61	1.34
CSA 209	1-5/8	45	3.34646 85	1-23/32 43.7	1-3/16 30.2	3/4 19	3/8 9.5	1-11/32 34.2	2-1/2 63.5	23/32 18.3	0.268 6.8	M8x1.0 5/16-24UNF	7350 32670	4100 18220	0.76	1.67		
209-26		1-11/16															0.73	1.61
209-27		1-3/4															0.70	1.54
209-28		1-3/4															0.70	1.54
CSA 210	1-7/8	50	3.54331 90	1-23/32 43.7	1-3/16 30.2	25/32 20	13/32 10	1-5/16 33.7	2-3/4 69.8	23/32 18.3	0.268 6.8	M10x1.25 3/8-24UNF	7900 35120	4690 20850	0.70	1.54		
210-30		1-15/16															0.83	1.83
210-31		2S															0.79	1.74
210-32	2S	0.74	1.63															
CSA 211-35	2-3/16		3.93701 100	1-29/32 48.4	1-9/32 32.5	15/16 24	15/32 12	1-7/16 36.4	3 76.2	13/16 20.6	5/16 8	M10x1.25 3/8-24UNF	9750 43340	5850 26000	0.81	1.78		

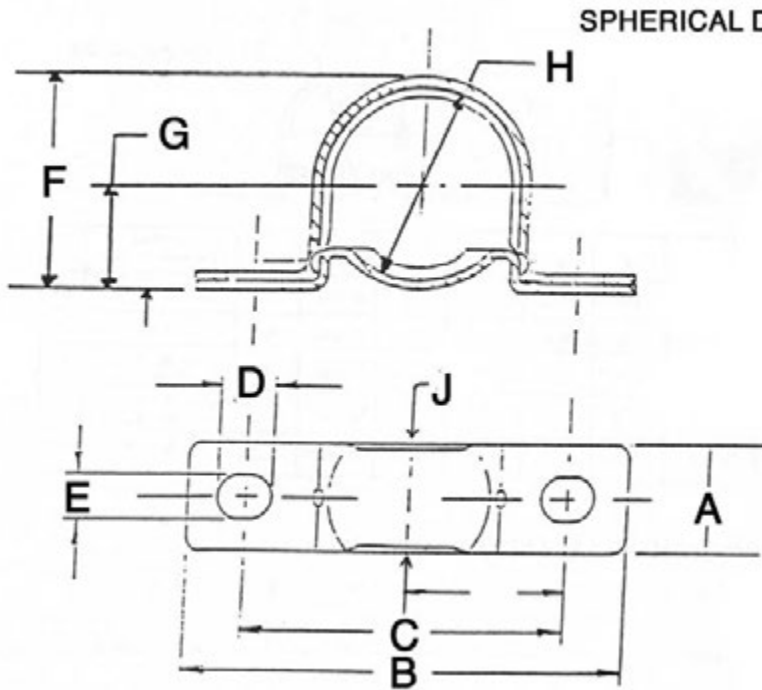


PRESSED STEEL HOUSINGS



PILLOW BLOCK - Pressed Steel - Snap Together Design

Heavy duty steel pillow block sets for standard ball bearing units



Stamping #	For Shaft Diameter Inches	A	B	C	D	E	F	G	H	J
PP203ST	1/2, 9/16, 5/8	1	3-5/8	2-11/16	1/2	11/32	1-3/4	7/8	40 MM	13/16
PP204ST	3/4	1	4-1/8	3	1/2	13/32	2-1/16	1	47 MM	29/32
PP205ST	13/16, 7/8, 15/16, 1	1-1/8	4-1/2	3-3/8	9/16	13/32	2-7/32	1-1/8	52 MM	1
PP206ST	1-1/16, 1-1/8, 1-3/16, 1-1/4	1-1/4	4-7/8	3-3/4	9/16	13/32	2-5/8	1-5/16	62 MM	1-3/16
PP207ST	1-1/4, 1-5/16, 1-3/8, 1-7/16	1-5/16	5-3/4	4-1/4	3/4	17/32	3-1/8	1-9/16	72 MM	1-7/32

Standard Stock Item is Snap Together Type and Zinc Plated.



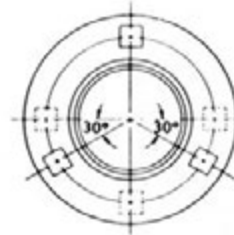
PRESSED STEEL HOUSINGS



ROUND FLANGETTE - 2-Piece Set

Three-Bolt and Four-Bolt Flangettes for Spherical Ball Bearing Units

- Two flanges are required to house a standard ball bearing unit.
- The spherical inside surface of each pair of flanges mates with the spherical outer surfaces of the ball bearing rings to provide self-alignment in any direction



PF203 - PF207
THREE HOLES

PF208-PF211
FOUR HOLES

Dimensions of Steel Flanges - Sold as sets (2 pcs. each)

Tamping Number	Shaft Size	A Minimum Frame Opening	B Flange Diameter	C Flange Shoulder Width	G Stock Thickness	Bolt size	D Bolt Hole Circle Diameter	Hole Width	FAFNIR	SKF	MRC	New Departure
PF203	1/2 & 5/8	1-15/16	3-3/16	9/32	0.075	1/4	2-1/2	9/32	40MS	F-40		
PF204	3/4	2-3/16	3-9/16	5/16	0.083	5/16	2-13/16	11/32	47MS	F-47	47MS-3	FL47
PF205	7/8, 15/16 & 1	2-3/8	3-3/4	11/32	0.083	5/16	3	11/32	52MS	F-52	52MS-3	FL52
PF206	1-1/16, 1-1/8, 1-3/16, 1-1/4	2-13/16	4-7/16	11/32	0.104	3/8	3-9/16	13/32	62MS	F-62	62MS-3	FL62
PF207	1-1/4, 1-5/16, 1-3/8, 1-7/16	3-3/16	4-13/16	3/8	0.104	3/8	3-15/16	13/32	72MS	F-72	72MS-3	FL72
PF208	1-1/2, 1-9/16	3-9/16	5-13/16	13/32	0.134	1/2	4-11/16	17/32	80MS	F-80	80MS	FL-80
PF209	1-5/8, 1-11/16, 1-3/4	3-13/16	5-7/8	7/16	0.134	1/2	4-3/4	17/32	85MS	F-85	85MS	FL85
PF210	1-13/16, 1-7/8, 1-15/16, 2	4	6-1/8	7/16	0.149	1/2	5	17/32	90MS	F-90	90MS	FL90
PF211	2, 2-1/16, 2-1/8, 2-3/16	4-7/16	6-9/16	15/32	0.149	1/2	5-7/16	17/32	100MS			FL100

Standard Stock Item is Zinc Plated



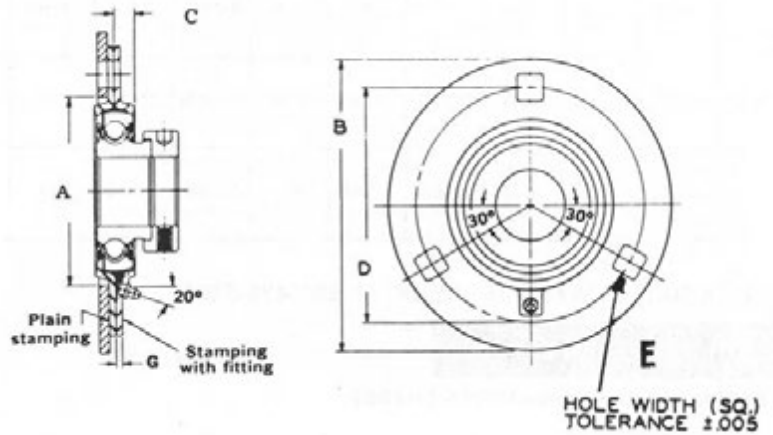
PRESSED STEEL HOUSINGS



RELUBE ROUND FLANGETTE - 2-Piece Set

Three-Bolt and Four-Bolt Flanges for
Spherical Relube Ball Bearing Units

The flange with the grease fitting has an inner grease groove that allows the grease to enter the holes in the outer ring of the ball bearing. The other matching flange has a similar grease groove, so the ball bearing can still be lubricated when reversed.



PF203 - PF207
THREE HOLES

PF208-PF211
FOUR HOLES

Dimensions of Relube Steel Flanges - Sold as sets with G & GP half

Stamping Number	Flange Without Fitting	Shaft Size	A Minimum Frame Opening	B Flange Diameter	C Flange Shoulder Width	G Stock Thickness	Bolt Size	D Bolt Hole Circle Diameter	E Hole Width
PF204G	PF204GP	3/4	2-3/16	3-9/16	5/16	0.083	5/16	2-13/16	11/32
PF205G	PF205GP	13/16, 7/8, 15/16, 1	2-3/8	3-3/4	11/32	0.083	5/16	3	11/32
PF206G	PF206GP	1-1/16, 1-1/8, 1-3/16, 1-1/4	2-13/16	4-7/16	3/8	0.104	3/8	3-9/16	13/32
PF207G	PF207GP	1-1/4, 1-5/16, 1-3/8, 1-7/16	3-3/16	4-13/16	7/16	0.134	3/8	3-15/16	13/32
PF208G	PF208GP	1-1/2, 1-9/16	3-9/16	5-13/16	5/8	0.149	1/2	4-11/16	17/32
PF209G	PF209GP	1-5/8, 1-11/16, 1-3/4	3-13/16	5-7/8	5/8	0.149	1/2	4-3/4	17/32
PF210G	PF210GP	1-13/16, 1-7/8, 1-15/16	4	6-1/8	1/2	0.164	1/2	5	17/32
PF211G	PF211GP	2, 2-1/16, 2-1/8, 2-3/16	4-7/16	6-9/16	21/32	0.164	1/2	5-7/16	17/32

Standard Stock Item is Zinc Plated

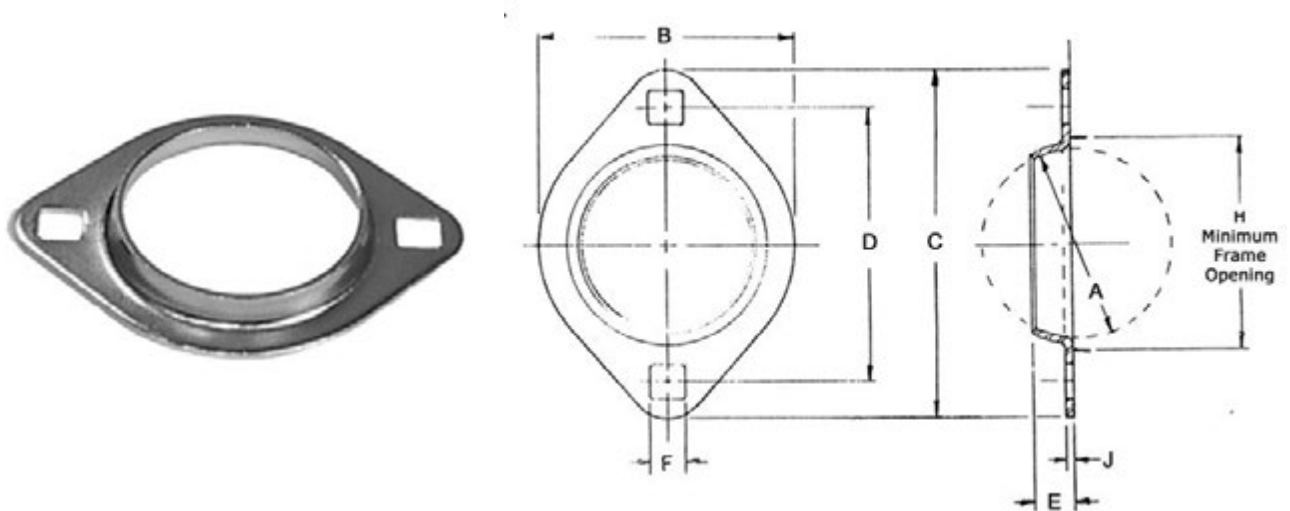


PRESSED STEEL HOUSINGS



TWO-BOLT FLANGETTE - 2-Piece Set For Spherical Ball Bearing Units

- One housing unit consists of two identical self-aligning flanges.
- Each pair of flanges has a spherical inside surface which mates with the spherical outer surface of the ball bearing ring to provide self-alignment in any direction.



Dimensions of Pressed Steel Flanges - Sold as sets (2 pcs. each)

Stamping Number	Shaft Size	A	B	C	D	E	F	H	J	Bolt Size	Radial load Rating Lbs	FAFNIR	SKF	NTN
PFL203	1/2 & 5/8	40 mm	2-5/16	3-3/16	2-1/2	9/32	9/32	1-15/16	0.075	1/4	600	40MST	FT-40	PFL203
PFL204	3/4	47 mm	2-5/8	3-9/16	2-13/16	5/16	11/32	2-3/16	0.083	5/16	700	47MST	FT-47	PFL204
PFL205	7/8 to 1	52 mm	2-51/64	3-3/4	3	11/32	11/32	2-3/8	0.083	5/16	800	52MST	FT-52	PFL205
PFL206	1-1/16 to 1-1/4	62 mm	3-5/16	4-7/16	3-9/16	11/32	13/32	2-13/16	0.104	3/8	1100	62MST	FT-62	PFL206
PFL207	1-1/4 to 1-7/16	72 mm	3-11/16	4-15/16	3-15/16	7/16	13/32	3-3/16	0.104	3/8	1400	72MST		PFL207

Standard Stock Item is Zinc Plated

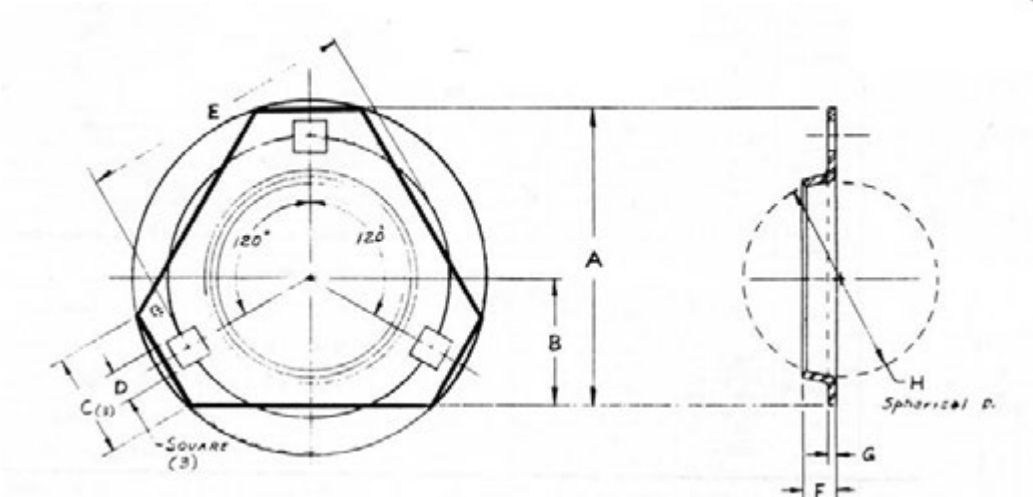


PRESSED STEEL HOUSINGS



TRIANGULAR THREE-BOLT FLANGETTES - 2-Piece Set For Spherical Ball Bearing Units

- Each pair of flanges has a spherical inside surface which mates with the spherical outer surface of the ball bearing ring to provide self-alignment in any direction.
- A minimum space is required for installation, they are used where space is limited.



Dimensions of Pressed Steel Flanges - Sold as sets (2 pcs. each)

Stamping Number	Shaft Size	A	B	C	D + - .005	E	F	G	H	Minimum Frame Opening
PFT203	1/2 & 5/8	2-23/32	1-1/8	13/16	9/32	2-1/2	9/32	0.075	40MM	1-15/16
PFT204	3/4	3	1-5/16	1-1/16	11/32	2-13/16	5/16	0.083	47MM	2-3/16
PFT205	7/8, 15/16 & 1	3-1/8	1-3/8	1-3/32	11/32	3	11/32	0.083	52MM	2-3/8
PFT206	1-1/16, 1-1/8, 1-3/16, 1-1/4	3-11/16	1-1/2	1	13/32	3-9/16	11/32	0.104	62MM	2-13/16
PFT207	1-1/4, 1-5/16, 1-3/8, 1-7/16	4-5/32	1-3/4	1-17/64	13/32	3-15/16	3/8	0.104	72MM	3-3/16

Standard Stock Item is Zinc Plated



PRESSED STEEL HOUSINGS



VIBRATION DAMPING RUBBER BOOTS

- Rubber boots are used in special applications, where the application requires a minimum of vibration and noise proof mounting, oil resisting, static-conductive nitrile rubber boots or grommets are used.



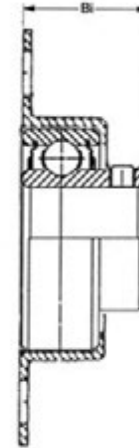
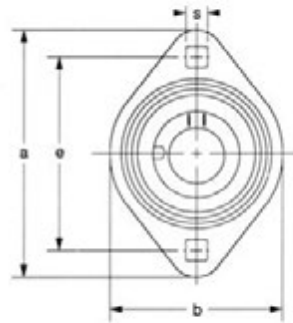
RUBBER BALL BEARING BOOTS OR GROMMETS	
R-4	For 40 MM Bearing - Mount with 47 MM Housing
R-5	For 47 MM Bearing - Mount with 52 MM Housing
R-6	For 52 MM Bearing - Mount with 62 MM Housing
R-7	For 62 MM Bearing - Mount with 72 MM Housing



BEARING UNITS

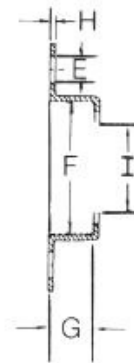


TWO BOLT FLUSH MOUNT FLANGETTE UNITS CSBMFM 200 Series Light Duty Set Screw Locking



Unit No.	Shaft Dia.		Dimensions inch / mm					Bolt Size	Bearing No.	Housing No.	Weight Lbs kg
	In.	mm	a	e	s	b	Bi				
CSB40MFM 201-8 202-10	1/2		3-3/16	2-33/64	9/32	2-21/64	1.126	1/4 M6	CSB201-8 202-10	40-2-MFM	0.44 0.2
	5/8		81	64	7	59	28.6				
CSB47MFM 204 204-12	3/4	20	3-35/64	2-51/64	11/32	2-5/8	1.220	5/16 M8	CSB204 204-12	47-2-MFM	0.66 0.3
			90	71	9	67	31.0				
CSB52MFM 205 205-14 205-15 205-16	7/8	25	3-3/4	3	11/32	2-51/64	1.220	5/16 M8	CSB205 205-14 205-15 205-16	52-2-MFM	0.66 0.3
	15/16		95	76.2	9	71	31.0				
	1										
CSB62MFM 206 206-17 206-18 206-19 206-20	1-1/16	30	4-7/16	3-35/64	13/32	3-5/16	1.406	3/8 M10	CSB206 206-17 206-18 206-19 206-20	62-2-MFM	1.10 0.5
	1-1/8		113	90	10	84	35.7				
	1-3/16										
	1-1/4										

Housing Only Part Number	Shaft Size	Dimensions (In.)				
		E	F	G	H	I
40-2-MFM	1/2	9/32	1.5748	0.512	0.074	1.250
	5/8	Square	(40 mm)			
47-2-MFM	3/4	11/32	1.8504	0.590	0.074	1.428
		Square	(47 mm)			
52-2-MFM	7/8	11/32	2.0472	0.590	0.074	1.625
	15/16, 1	Square	(52 mm)			
62-2-MFM	1-1/16, 1-1/8	13/32	2.4409	0.709	0.089	2.018
	1-3/16, 1-1/4	Square	(62 mm)			



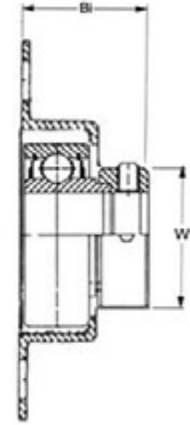
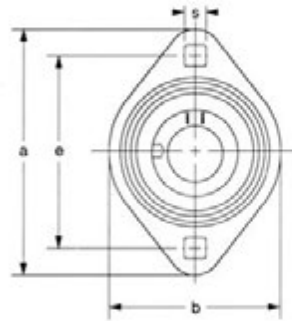
Standard Stock Item is Zinc Plated



BEARING UNITS

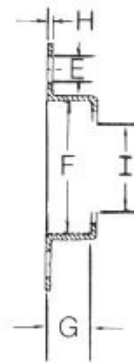


TWO BOLT FLUSH MOUNT FLANGETTE UNITS CSAMFM 200 Series Light Duty Eccentric Collar Locking



Unit No.	Shaft Dia.		Dimensions inch / mm						Bolt Size	Bearing No.	Housing No.	Weight Lbs kg
	In.	mm	a	e	s	b	Bi	W				
CSA40MFM 201-8 202-10	1/2		3-3/16	2-33/64	9/32	2-21/64	1.126	1-1/8	1/4	CSA201-8 202-10	40-2-MFM	0.44 0.2
	5/8		81	64	7	59	28.6	28.6	M6			
CSA47MFM 204 204-12	3/4	20	3-35/64	2-51/64	11/32	2-5/8	1.220	1-1/4	5/16	CSA204 204-12	47-2-MFM	0.66 0.3
			90	71	9	67	31.0	32.0	M8			
CSA52MFM 205 205-14 205-15 205-16	7/8	25	3-3/4	3	11/32	2-51/64	1.220	1-1/2	5/16	CSA205 205-14 205-15 205-16	52-2-MFM	0.66 0.3
	15/16		95	76.2	9	71	31.0	38.1	M8			
	1											
CSA62MFM 206 206-17 206-18 206-19 206-20	1-1/16	30	4-7/16	3-35/64	13/32	3-5/16	1.406	1-3/4	3/8	CSA206 206-17 206-18 206-19 206-20	62-2-MFM	1.10 0.5
	1-1/8		113	90	10	84	35.7	44.5	M10			
	1-3/16											
	1-1/4											

Housing Only Part Number	Shaft Size	Dimensions (In.)				
		E	F	G	H	I
40-2-MFM	1/2	9/32	1.5748			
	5/8	Square	(40 mm)	0.512	0.074	1.250
47-2-MFM	3/4	11/32	1.8504			
		Square	(47 mm)	0.590	0.074	1.428
52-2-MFM	7/8	11/32	2.0472			
	15/16, 1	Square	(52 mm)	0.590	0.074	1.625
62-2-MFM	1-1/16, 1-1/8	13/32	2.4409			
	1-3/16, 1-1/4	Square	(62 mm)	0.709	0.089	2.018



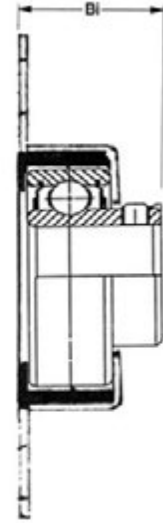
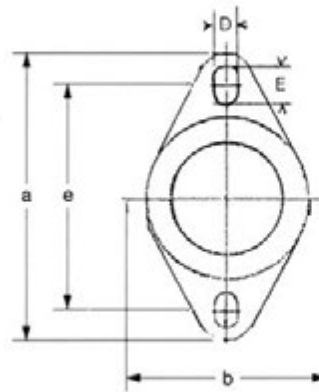
Standard Stock Item is Zinc Plated



BEARING UNITS



TWO BOLT FLUSH MOUNT UNITS Vibration Damping Rubber Cushion CSBMFMR 200 Series Light Duty Set Screw Locking



Unit No.	Shaft Dia.		Dimensions inch / mm					Bolt Size	Bearing No.	Stamped Housing with Rubber Boot	Weight Lbs kg	
	In.	mm	a	e	b	D	E					Bi
CSB728MFM 201-8 202-10	1/2		4	3	2	0.451	3/4	1.126	1/4	CSB201-8 202-10	728-2-MFM	0.30 0.14
	5/8		101.6	76.2	50.8	11.46	19.05	28.6	M6			
CSB729MFM 204 204-12	3/4	20	4-1/2	3-3/8	2-1/2	0.451	3/4	1.220	5/16	CSB204 204-12	729-2-MFM	0.50 0.23
			114.3	85.7	63.5	11.46	19.05	31.0	M8			
CSB730MFM 205 205-14 205-15 205-16	7/8	25	4-1/2	3-3/8	2-1/2	0.451	3/4	1.220	5/16	CSB205 205-14 205-15 205-16	730-2-MFM	0.50 0.23
	15/16		114.3	85.7	63.5	11.46	19.05	31.0	M8			
	1											

Housing Only Part Number	Shaft Size	Dimensions (In.)		
		F	G	H
728-2-MFM	1/2	1.5748	0.512	0.074
	5/8	(40 mm)		
729-2-MFM	3/4	1.8504	0.590	0.074
		(47 mm)		
730-2-MFM	7/8	2.0472	0.590	0.074
	15/16, 1	(52 mm)		



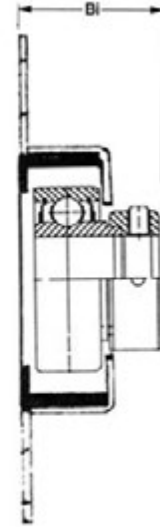
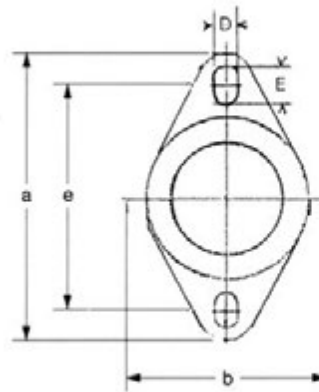
Standard Stock Item is Zinc Plated



BEARING UNITS



TWO BOLT FLUSH MOUNT UNITS
Vibration Damping Rubber Cushion
CSAMFMR 200 Series
 Light Duty
 Eccentric Collar Locking



Unit No.	Shaft Dia.		Dimensions mm					Bolt Size	Bearing No.	Stamped Housing with Rubber Boot	Weight Lbs kg	
	In.	mm	a	e	b	D	E					Bi
CSA728MFM 201-8 202-10	1/2		4	3	2	0.451	3/4	1.126	1/4 M6	CSA201-8 202-10	728-2-MFM	0.30 0.14
	5/8		101.6	76.2	50.8	11.46	19.05	28.6				
CSA729MFM 204 204-12	3/4	20	4-1/2	3-3/8	2-1/2	0.451	3/4	1.220	5/16 M8	CSA204 204-12	729-2-MFM	0.50 0.23
			114.3	85.7	63.5	11.46	19.05	31.0				
CSA730MFM 205 205-14 205-15 205-16	7/8	25	4-1/2	3-3/8	2-1/2	0.451	3/4	1.220	5/16 M8	CSA205 205-14 205-15 205-16	730-2-MFM	0.50 0.23
	15/16											
	1											

Housing Only Part Number	Shaft Size	Dimensions (In.)		
		F	G	H
728-2-MFM	1/2	1.5748	5/8	16 GA.
	5/8	(40 mm)		
729-2-MFM	3/4	1.8504	3/4	16 GA.
		(47 mm)		
730-2-MFM	7/8	2.0472	3/4	16 GA.
	15/16, 1	(52 mm)		



Standard Stock Item is Zinc Plated



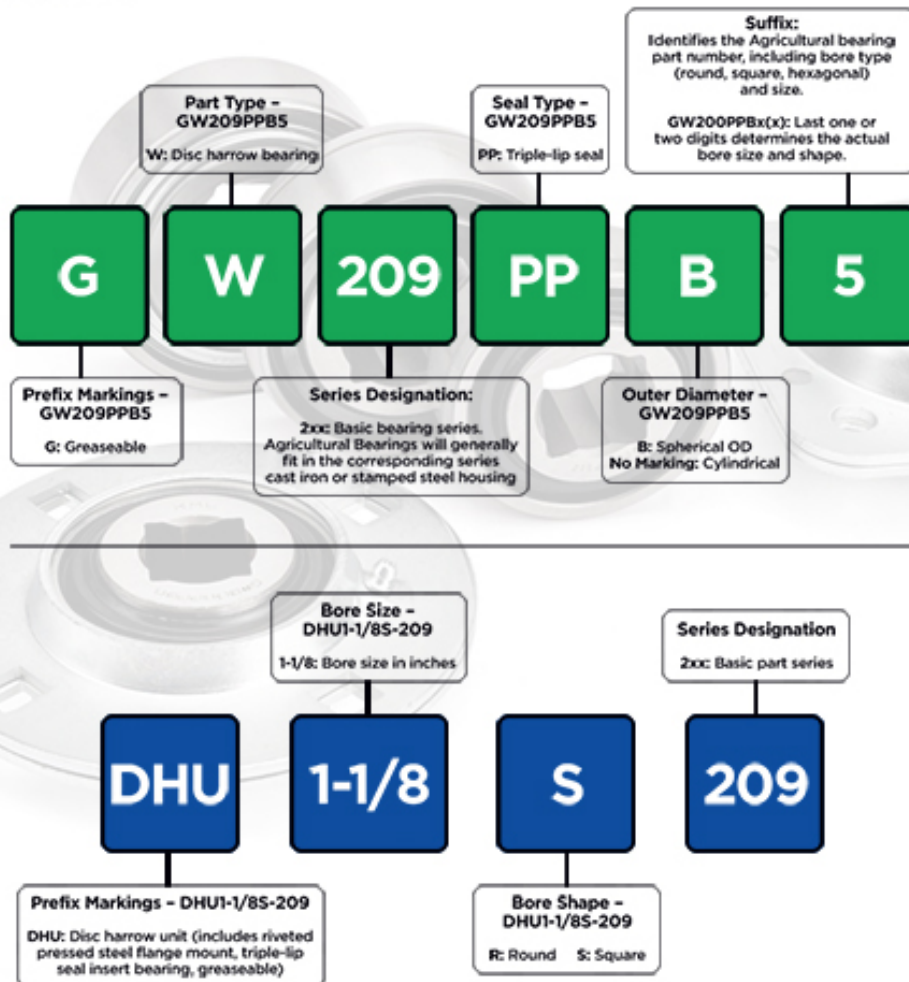
AGRICULTURAL BEARINGS





Agricultural Bearings

KML's Agricultural Bearing Part Numbering System is a combination of formats that identify common characteristics of a specific part number. These formats identify the agricultural bearings type, series, bore size, shield configuration and additional part-specific information. Due to the complexity of OEM specifications and part types, not all KML Agricultural Bearings can be presented in defined part number formats. Always check KML catalog and competitor / OEM interchange information for final part number determination.

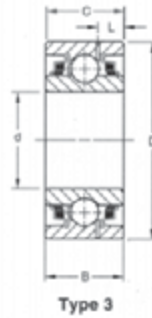




AGRICULTURAL BEARINGS



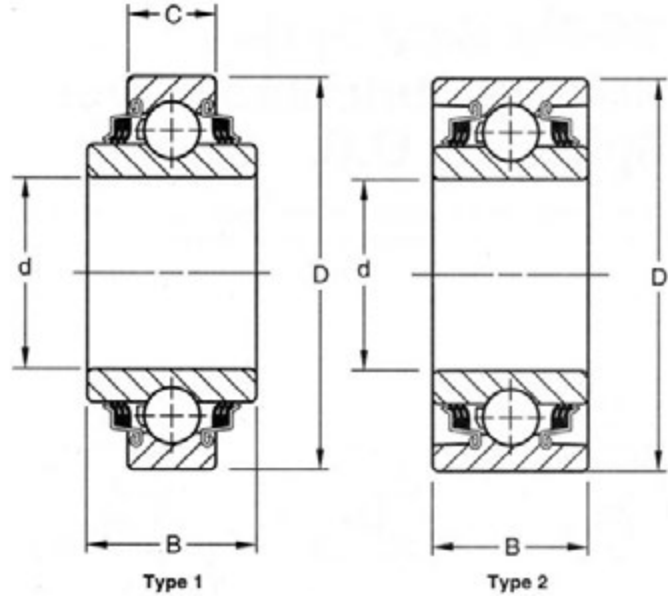
DISC HARROW BALL BEARINGS TRI-PLY SEAL Series Relubricatable type



ROUND BORE													
Unit No.	Type	Bore d		Outside Diameter D		Ring Width +0.000,-0.005 +0.00,-.12 mm		Static Load Rating Cor		Dynamic Load Rating Cr		Weight	
		In. mm	In. mm	In. mm	In. mm	B Inner	C Outer	lbf	N	lbf	N	Lbs	kg
						In. mm	In. mm						
GW210PP3	3	1.4065 37.53	0.0005 0.013	3.5433 90	0.0006 0.015	1.188 30.18	1.188 30.18	5 200	23 000	9 000	39 900	2.25	1.021
GW211PP2	3	2.1880 55.58	0.0006 0.015	3.9370 100	0.0006 0.015	1.312 33.34	1.312 33.34	6 550	29 000	11 000	48 800	3	1.361
GW214PP2	3	2.7559 70.00	0.0006 0.015	4.9213 125	0.0008 0.020	1.562 39.69	1.562 39.69	9 800	43 500	16 000	71 000	4.19	1.901



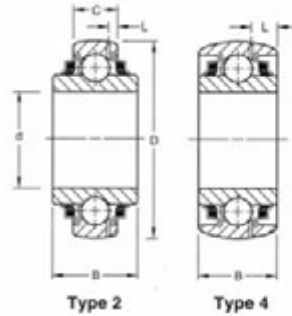
DISC HARROW BALL BEARINGS
TRI-PLY SEAL Series
 Non-Relubricatable Type
 Cylindrical O.D.



ROUND BORE												
Unit No.	Type	Bore d		tolerance +0.000" to minus	Ring Width +0.000, -0.005 +0.00, -12 mm		Weight		Static Load Rating Cor		Dynamic Load Rating Cr	
		In.	mm		B Inner	C Outer						
		In.	mm		In.	mm	Lbs	kg	lbf	N	lbf	N
W208PP10	1	1.5005	38.113	0.0005	1.688	0.827	1.50	0.680	4 500	19 900	8 300	36 800
			80		42.87	21.00						
W210PP8	2	1.5300	38.860	0.0006	1.188	1.118	1.97	0.894	5 200	23 000	9 000	39 900
			90		30.18	30.18						
W210PP2	2	1.9380	49.230	0.0006	1.188	1.188	1.69	0.767	5 200	23 000	9 000	39 900
			90		30.18	30.18						
W211PP2	2	2.1880	55.580	0.0006	1.312	1.312	2.33	1.056	6 550	29 000	11 000	48 800
			100		33.34	33.34						
W214PP2	2	2.7559	70.000	0.0008	1.562	1.562	4.19	1.901	9 800	43 500	16 000	71 000
			125		39.69	39.69						



DISC HARROW BALL BEARINGS TRI-PLY SEAL Series Relubricatable type

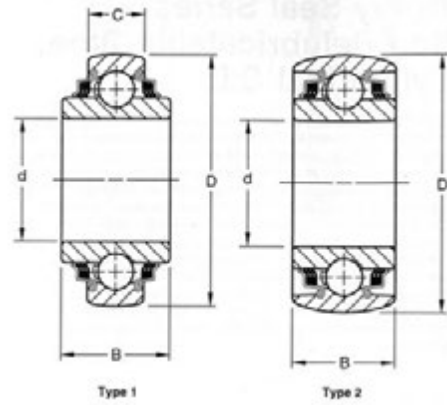


ROUND BORE														
Unit No.	Type	Bore d		tolerance +0.000" to minus	Outside Diameter D	tolerance +0.000" to minus	Ring Width +0.000,-0.005 +0.00,-12 mm		Static Load Rating Cor		Dynamic Load Rating Cr		Weight	
		In. mm	In. mm				In. mm	In. mm	lbf	N	lbf	N	Lbs	kg
		In. mm	In. mm	In. mm	In. mm	In. mm	In. mm	In. mm	B Inner	C Outer				
GW209PPB4	4	1.5350 39.00	0.0100 0.250	3.3465 85	0.0006 0.015	1.188 30.18	1.188 30.18	4 550	20 200	8 300	36 800	1.65	0.748	
GW209PPB2	4	1.7717 45.00	0.0005 0.013	3.3465 85	0.0006 0.015	1.188 30.18	1.188 30.18	4 550	20 200	8 300	36 800	1.44	0.653	
GW209PPB11	2	1.7810 45.24	0.0100 0.250	3.3465 85	0.0006 0.015	1.438 36.53	0.866 22.00	4 550	20 200	8 300	36 800	1.37	0.621	
GW210PPB5	4	1.7850 45.34	0.0100 0.250	3.5433 90	0.0006 0.015	1.188 30.18	1.188 30.18	5 200	23 000	9 000	39 900	1.75	0.794	
GW210PPB2	4	1.9380 49.23	0.0005 0.013	3.5433 90	0.0006 0.015	1.188 30.18	1.188 30.18	5 200	23 000	9 000	39 900	1.5	0.680	
GW211PPB13	2	1.7850 45.34	0.0100 0.250	3.9370 100	0.0006 0.015	1.312 33.34	0.984 25.00	6 550	29 000	11 000	48 800	2.02	0.916	
GW211PPB10	4	1.9380 49.23	0.0006 0.015	3.9370 100	0.0006 0.015	1.312 33.34	1.312 33.34	6 550	29 000	11 000	48 800	2.26	1.025	
GW214PPB3	4	1.9380 49.23	0.0006 0.015	4.9213 125	0.0008 0.020	1.562 39.69	1.562 39.69	9 800	43 500	16 000	71 000	4.85	2.200	
GW211PPB14	2	2.0150 51.18	0.0100 0.250	3.9370 100	0.0006 0.015	1.312 33.34	0.984 25.00	6 550	29 000	11 000	48 800	2	0.907	
GW211PPB2	4	2.1880 55.58	0.0006 0.015	3.9370 100	0.0006 0.015	1.312 33.34	1.312 33.34	6 550	29 000	11 000	48 800	2.62	1.188	
GW211PPB8	2	2.1880 55.58	0.0006 0.015	3.9370 100	0.0006 0.015	1.312 33.34	0.984 25.00	6 550	29 000	11 000	48 800	1.85	0.839	
GW211PPB9	2	2.1950 55.75	0.0070 0.180	3.9370 100	0.0006 0.015	1.562 39.69	0.984 25.00	6 550	29 000	11 000	48 800	2.02	0.916	
GW214PPB6	2	2.6881 68.28	0.0006 0.015	4.9213 125	0.0008 0.020	2.688 68.26	1.102 28.00	9 800	43 500	16 000	71 000	4.75	2.155	
GW214PPB2	4	2.7559 70.00	0.0006 0.015	4.9213 125	0.0008 0.020	1.562 39.69	1.562 39.69	9 800	43 500	16 000	71 000	3.96	1.796	



DISC HARROW BALL BEARINGS TRI-PLY SEAL Series

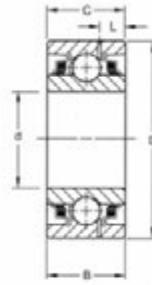
Non-Relubricatable Type
Spherical O.D.



ROUND BORE													
Unit No.	Type	Bore d		Outside Diameter D	tolerance +0.000 to minus		Ring Width +0.000,-0.00 +0.00,-12 mm		Static Load Rating Cor		Dynamic Load Rating Cr		Weight Lbs / kg
		In. mm	In. mm		In. mm	In. mm	B Inner	C Outer	lbf	N	lbf	N	
							In. mm	In. mm					
W208PPB7	1	1.1880 30.170	0.0005 0.013	3.150 80	0.0005 0.013	1.188 30.18	0.709 18.00	4 500	19 900	8 300	36 800	1.41 0.640	
W208PPB4	1	1.1880 30.170	0.0005 0.013	3.150 80	0.0005 0.013	1.188 30.18	1.188 30.18	4 500	19 900	8 300	36 800	1.59 0.720	
W208PPB2	1	1.5005 38.113	0.0005 0.013	3.150 80	0.0005 0.013	1.688 42.96	0.709 18.00	4 500	19 900	8 300	36 800	1.59 0.721	
W208PPB23	1	1.5005 38.113	0.0005 0.013	3.150 80	0.0005 0.013	1.688 42.96	1.188 30.18	3 550	15 600	7 200	32 000	1.50 0.680	
W209PPB4	2	1.5350 39.000	0.0100 0.250	3.346 85	0.0006 0.015	1.188 30.18	1.188 30.18	4 550	20 200	8 300	36 800	1.65 0.748	
W209PPB2	2	1.7717 45.000	0.0005 0.013	3.346 85	0.0006 0.015	1.188 30.18	1.188 30.18	4 550	20 200	8 300	36 800	1.44 0.653	
W210PPB5	2	1.7850 45.340	0.0100 0.250	3.543 90	0.0006 0.015	1.188 30.18	1.188 30.18	5 200	23 000	9 000	39 900	1.75 0.794	
W211PPB13	1	1.785 45.340	0.0100 0.250	3.937 100	0.0006 0.015	1.312 33.34	1.000 25.40	6 550	29 000	11 000	48 800	2.25 1.02	
W210PPB2	2	1.9380 49.230	0.0005 0.013	3.543 90	0.0006 0.015	1.188 30.18	1.188 30.18	5 200	23 000	9 000	39 900	1.56 0.708	
W211PPB2	2	2.1880 55.580	0.0006 0.015	3.937 100	0.0006 0.015	1.312 33.34	1.312 33.34	6 550	29 000	11 000	48 800	2.13 0.966	
W211PPB8	1	2.1880 55.580	0.0006 0.015	3.937 100	0.0006 0.015	1.312 33.34	0.984 25.00	6 550	29 000	11 000	48 800	1.85 0.839	
W214PPB2	2	2.7559 70.000	0.0006 0.015	4.921 125	0.0008 0.020	1.562 39.69	1.562 39.69	9 800	43 500	16 000	71 000	3.96 1.796	
W214PPB9	1	2.7660 70.260	0.0010 0.025	4.921 125	0.0008 0.020	1.750 44.45	1.102 28.00	9 800	43 500	16 000	71 000	3.96 1.796	



DISC HARROW BALL BEARINGS TRI-PLY SEAL Series Relubricatable type

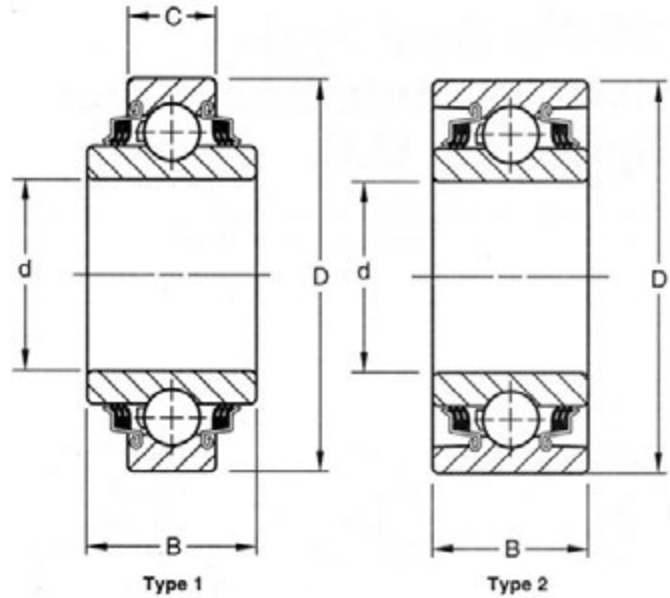


Type 3

SQUARE BORE													
Unit No.	Type	Shaft Size		Outside Diameter D	tolerance +0.000" to minus	Ring Width +0.000,-0.005 +0.00,-12 mm		Static Load Rating Cor		Dynamic Load Rating Cr		Weight	
						B Inner	C Outer						
		In.	mm	In. mm	In. mm	In. mm	In. mm	lbf	N	lbf	N	Lbs	kg
GW208PP17	3	1-1/8	28.6	3.3755	0.0005	1.438	1.188	4 500	19 900	8 300	36 800	2.04	0.925
				85.738	0.013	36.53	30.18						
GW211PP3	3	1-1/2	38.1	3.9370	0.0006	1.312	1.312	6 550	29 000	11 000	48 800	2.79	1.266
				100	0.015	33.34	33.34						
GW211PP17	3	1-1/2	38.1	3.9370	0.0006	1.75	1.312	6 550	29 000	11 000	48 800	2.62	1.188
				100	0.015	44.45	33.34						



DISC HARROW BALL BEARINGS
TRI-PLY SEAL Series
 Non-Relubricatable Type
 Cylindrical O.D.



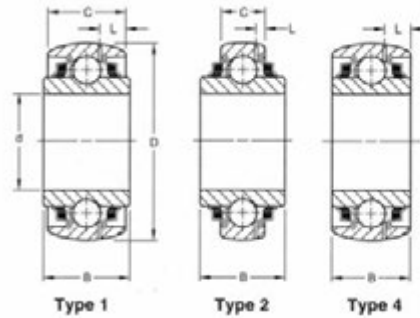
SQUARE BORE													
Unit No.	Type	Shaft size		Outside Diameter D	tolerance +0.000" to minus	Ring Width +0.000, -0.005 +0.00, -12 mm		Weight		Static Load Rating Cor		Dynamic Load Rating Cr	
		In.	mm			B Inner	C Outer						
		In.	mm	In.	mm	In.	mm	In.	mm	Lbs	kg	lbf	N
W208PP6	1	1	25.4	3.1496	0.0005	1.438	0.709	1.62	0.73	4 500	19 900	8 300	36 800
				80	0.013	36.51	18.00						
W208PP5	1	1-1/8	28.6	3.1496	0.0005	1.438	0.709	1.5	0.68	4 500	19 900	8 300	36 800
				80	0.013	36.51	18.00						
W208PP8	1	1-1/8	28.6	3.1496	0.0005	1.438	1.188	1.66	0.75	4 500	19 900	8 300	36 800
				80	0.013	36.51	30.18						
W211PP3	2	1-1/2	38.1	3.9370	0.0006	1.312	1.312	2.79	1.27	6 550	29 000	11 000	48 800
				100	0.015	33.34	33.34						
W211PP5	1	1-1/2	38.1	4.0000	0.0006	1.750	1.438	3.48	1.58	6 550	29 000	11 000	48 800
				101.6	0.015	44.45	36.52						



AGRICULTURAL BEARINGS



DISC HARROW BALL BEARINGS TRI-PLY SEAL Series Relubricatable type



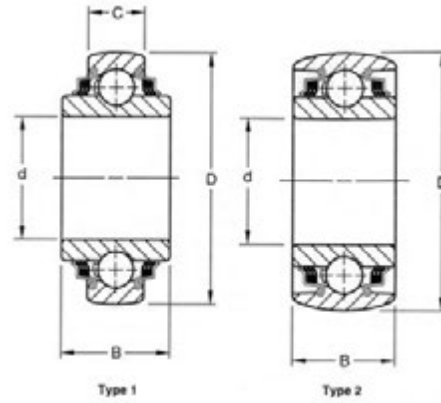
SQUARE BORE													
Unit No.	Type	Shaft Size		Outside Diameter D	tolerance +0.000" to minus	Ring Width +0.000,-0.005 +0.00,-12 mm		Static Load Rating Cor		Dynamic Load Rating Cr		Weight	
						B Inner	C Outer						
		In.	mm	In.	mm	In.	mm	In.	mm	lbf	N	lbf	N
GW208PPB6	2	1	25.4	3.1496	0.0005	1.438	0.827	4 500	19 900	8 300	36 800	1.75	0.794
GW208PPB5	2	1-1/8	28.6	3.1496	0.0005	1.438	0.827	4 500	19 900	8 300	36 800	1.47	0.667
GW208PPB8	1	1-1/8	28.6	3.1496	0.0005	1.438	1.188	4 500	19 900	8 300	36 800	1.75	0.794
GW209PPB5	1	1-1/4	31.8	3.3456	0.0006	1.438	1.188	4 550	20 200	8 300	36 800	1.75	0.794
GW209PPB8	2	1-1/4	31.8	3.3456	0.0006	1.438	0.866	4 550	20 200	8 300	36 800	1.65	0.748
GW210PPB4	4	1-1/8	28.6	3.5433	0.0006	1.188	1.188	5 200	23 000	9 000	39 900	1.75	0.794
GW211PPB3	4	1-1/2	38.1	3.9370	0.0006	1.312	1.312	6 550	29 000	11 000	48 800	2.66	1.207
GW214PPB4	4	2	50.8	4.9213	0.0008	1.562	1.562	9 800	43 500	16 000	71 000	4.75	2.155



DISC HARROW BALL BEARINGS

TRI-PLY SEAL Series

Non-Relubricatable Type
Spherical O.D.



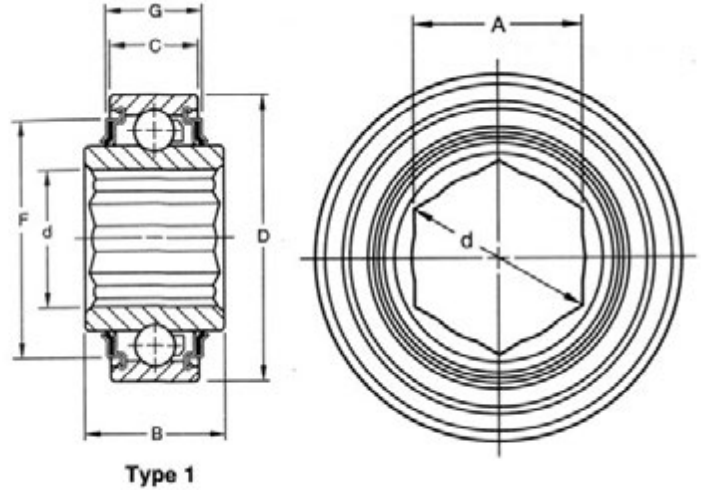
SQUARE BORE											
Unit No.	Type	Shaft size	Outside Diameter D	tolerance +0.000" to minus	Ring Width +0.000,-0.005 +0.00,-12 mm		Static Load Rating Cor		Dynamic Load Rating Cr		Weight
					B Inner	C Outer	lbf	N	lbf	N	
					In. mm	In. mm					
W208PPB13	1	7/8	3.1496	0.0005	1.438	0.709	4 500	19 900	8 300	36 800	1.62 0.735
			22.2	80	0.013	36.53					
W208PPB11	1	7/8	3.4280	0.0005	1.438	1.188	4 500	19 900	8 300	36 800	2.05 0.930
			22.2	87	0.013	36.53					
W208PPB6	1	1	3.1496	0.0005	1.438	0.709	4 500	19 900	8 300	36 800	1.59 0.721
			25.4	80	0.013	36.53					
W208PPB9	1	1	3.1496	0.0005	1.438	1.188	4 500	19 900	8 300	36 800	1.74 0.790
			25.4	80	0.013	36.53					
W208PPB5	1	1-1/8	3.1496	0.0005	1.438	0.709	4 500	19 900	8 300	36 800	1.47 0.667
			28.6	80	0.013	36.53					
W208PPB8	1	1-1/8	3.1496	0.0005	1.438	1.188	4 500	19 900	8 300	36 800	1.65 0.750
			28.6	87	0.013	36.53					
W208PPB12	1	1-1/8	3.375	0.0005	1.438	1.188	4 500	19 900	8 300	36 800	1.87 0.850
			28.6	85.75	0.013	36.53					
W209PPB5	1	1-1/4	3.3465	0.0006	1.438	1.188	4 550	20 200	8 300	36 800	1.75 0.794
			31.8	85	0.015	36.53					
W210PPB4	2	1-1/8	3.5433	0.0006	1.188	1.188	5 200	23 000	9 000	39 900	2.11 0.957
			28.6	90	0.015	30.18					
W210PPB6	1	1-1/8	3.5433	0.0006	1.438	1.188	5 200	23 000	9 000	39 900	2.25 1.021
			28.6	90	0.015	36.53					
W211PPB3	2	1-1/2	3.9370	0.0006	1.312	1.312	6 550	29 000	11 000	48 800	2.66 1.207
			38.1	100	0.015	33.34					
W211PPB6	2	1-1/2	4.1250	0.0006	1.750	1.438	6 550	29 000	11 000	48 800	4.10 1.860
			38.1	105	0.015	44.45					



AGRICULTURAL BEARINGS



BALL BEARINGS Hex Bore Series



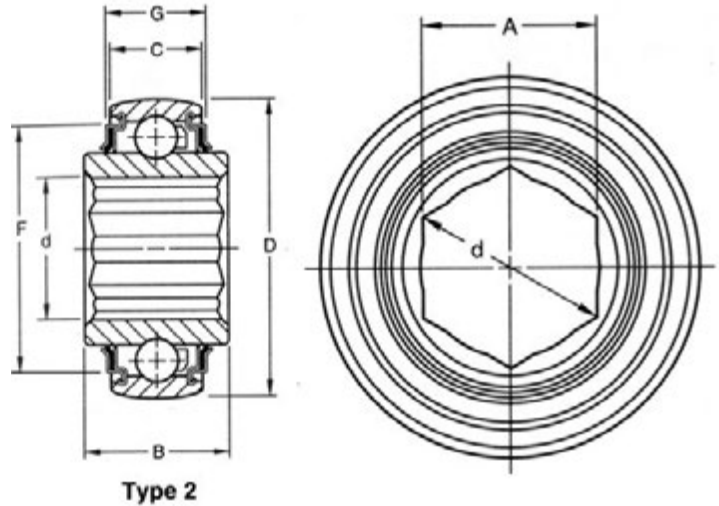
Hex Bore - Cylindrical OD									
KML Part Number	Hex Shaft Size Inch	Hex Bore		Width		Diameter	Load Rating		Weight lbs
		'A' Across Flats Nominal In / mm	'd' Across Hex Corners In / mm	'B' Inner Ring Width In / mm	'C' Inner Ring Width In / mm	'D' Outside Diameter In / mm	Cor Static Load Rating lbf / N	Cr Dynamic Load Rating lbf / N	
204KRR2	11/16"	0.696 17.65	0.796 20.22	0.825 20.96	0.551 14	1.8504 47	1400 6200	3200 14300	0.32
205KRR2	7/8"	0.876 22.225	1.010 25.65	1.00 25.4	0.591 15	2.0472 52	1560 6950	3450 15600	0.44
206KRR6	1"	1.001 25.425	1.152 29.26	0.945 24	0.630 16	2.4409 62	2280 10000	4800 21600	0.75



AGRICULTURAL BEARINGS



BALL BEARINGS Hex Bore Series



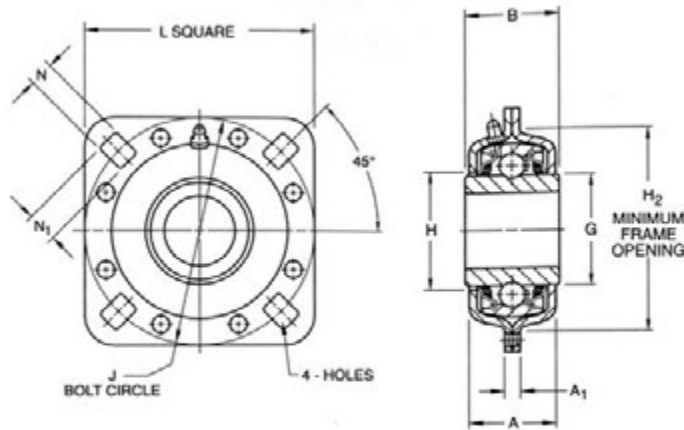
Agricultural / Special Application Ball Bearings									
Hex Bore - Spherical OD									
KML Part Number	Hex Shaft Size Inch	Hex Bore		Width		Diameter	Load Rating		Weight lbs
		'A' Across Flats Nominal In / mm	'd' Across Hex Corners In / mm	'B' Inner Ring Width In / mm	'C' Inner Ring Width In / mm	'D' Outside Diameter In / mm	Cor Static Load Rating lbf / N	Cr Dynamic Load Rating lbf / N	
205KRRB2	7/8"	0.876	1.010	1.00	0.591	2.0472	1560	3450	0.44
		22.225	25.65	25.4	15	52	6950	15600	
206KRRB6	1"	1.001	1.152	0.945	0.630	2.4409	2280	4800	0.75
		25.425	29.26	24	16	62	10000	21600	



AGRICULTURAL BEARINGS



DISC HARROW UNITS TRI-PLY SEAL Series Relubricatable type



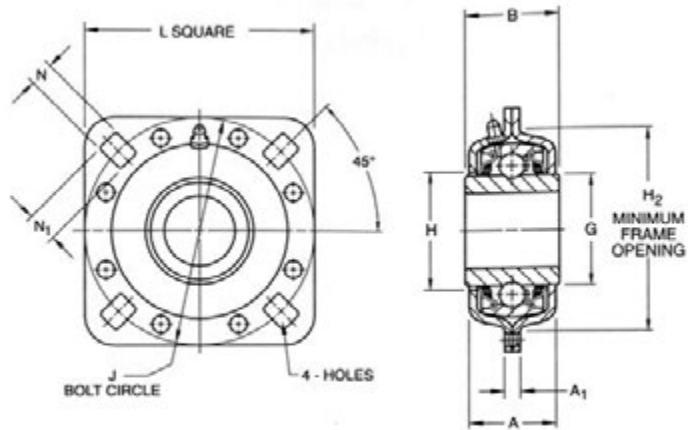
Unit Number	Shaft Size Inches	Shaft Size Decimal	B	H2	L	H	G	J	N	N1	Static Load Rating	Dynamic Load rating
											Cor / lbf	Cr / lbf
Round												
ST491B	1-1/2	1.500"	1-11/16	4	5	2-13/32	2-1/4	5	.531	.687	4000	8150
ST491A	1-3/4	1.750"	1-11/16	4	5	2-9/32	2-11/64	5	.531		4000	8150
DHU1-3/4R-211	1-3/4	1.750"	54mm	4	5-1/2	2-7/8	2.746	5-1/2	.531		5600	10800
DHU2-3/16R-211	2-3/16	2.188"	55.6mm	4	5-1/2	2-7/8	2.746	5-1/2	.531		5600	10800



AGRICULTURAL BEARINGS



DISC HARROW UNITS TRI-PLY SEAL Series Relubricatable type



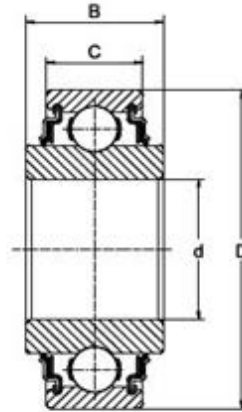
Unit Number	Shaft Size Inches	Shaft Size Decimal	B	H2	L	H	G	J	N	N1	Static Load Rating	Dynamic Load rating
											Cor / lbf	Cr / lbf
Square	Flat to Flat	Flat to Flat										
DHU1-1/8S-209	1-1/8 Sq	1.125"	1-11/16	4	5	2-23/64	2.279	5	.531	.687	4000	8150



AGRICULTURAL BEARINGS

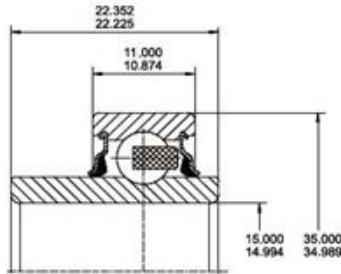


BALL BEARINGS Special Sizes

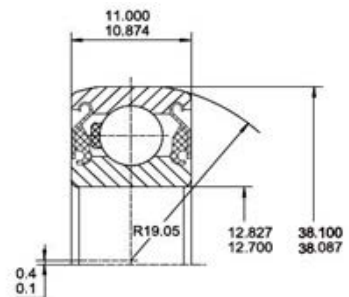


Type 1

Agricultural / Special Application Ball Bearings					
Round Bore - Cylindrical OD					
	Bore 'd' <i>Inch / mm</i>	Outside Diameter 'D' <i>Inch / mm</i>	Inner Ring Width 'B' <i>Inch / mm</i>	Outer Ring Width 'C' <i>Inch / mm</i>	Special Features
203KRR5	0.515 13.081	1.5748 40	0.720 18.29	0.4724 12	Cylindrical OD, extended inner ring, metal shroud seal
203KRR2	0.640 16.256	1.5748 40	0.720 18.29	0.4724 12	Cylindrical OD, extended inner ring, metal shroud seal



202RRE



202NPP9

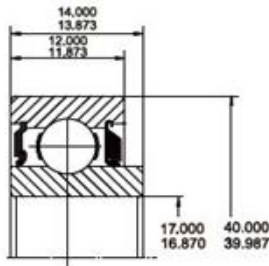
Agricultural / Special Application Ball Bearings					
Round Bore - Cylindrical OD					
	Bore 'd' <i>Inch / mm</i>	Outside Diameter 'D' <i>Inch / mm</i>	Inner Ring Width 'B' <i>Inch / mm</i>	Outer Ring Width 'C' <i>Inch / mm</i>	Special Features
202RRE	0.5906 15	1.3875 35	0.880 22.352	0.4331 11	Cylindrical OD, Metric bore, extended inner ring, metal shroud trash seals
202NPP9	0.505 12.827	1.500 38.10	0.4331 11	0.4331 11	Cylindrical OD, .750" corner radius, metal shroud trash seals



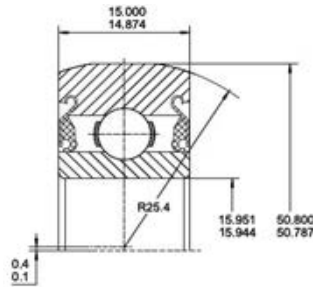
AGRICULTURAL BEARINGS



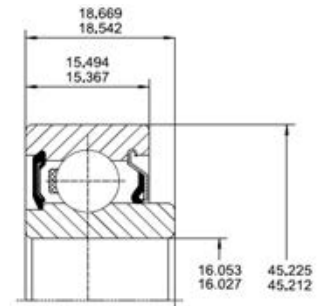
BALL BEARINGS Special Sizes



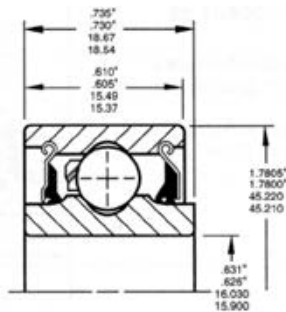
203JD



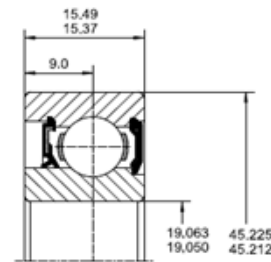
203KRR3



204-FREN



204RY2



Z9504AB

Agricultural / Special Application Ball Bearings

Round Bore - Cylindrical OD

	Bore 'd' Inch / mm	Outside Diameter 'D' Inch / mm	Inner Ring Width 'B' Inch / mm	Outer Ring Width 'C' Inch / mm	Special Features
203JD	0.6693 17	1.5748 40	0.5512 14	0.4724 12	Cylindrical OD, Metric bore, extended inner ring one side, metal shroud trash seal
203KRR3	0.628 15.951	2.00 50.80	0.5905 15	0.5905 15	Cylindrical OD, 1" corner radius, metal shroud trash seals
204-FREN	0.632 16.053	1.780 45.212	0.735 18.669	0.610 15.494	Cylindrical special OD, wide inner ring, 1 land riding seal, 1 metal shroud excluder seal
204RY2	0.631 16.027	1.7805 45.225	0.735 18.669	0.610 15.494	Cylindrical OD, Gothic arch race, Double-lip trash seal extended one side, single-lip trash seal opposite
Z9504-AB	0.750 19.05	1.7805 45.225	0.610 15.494	0.610 15.494	Similar to 6204-2RS with 3/4" bore, .6100" width, Gothic arch race, metal backed rubber seals
Z9504-RST	0.750 19.05	1.7805 45.225	0.610 15.494	0.610 15.494	Similar to 6204-2RS with 3/4" bore, .6100" width, Gothic arch race, metal shroud trash seals

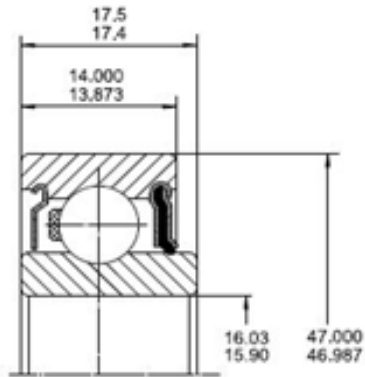


AGRICULTURAL BEARINGS

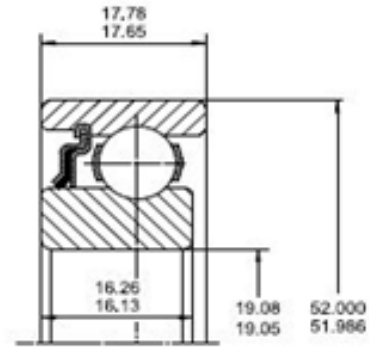


BALL BEARINGS

Special Sizes

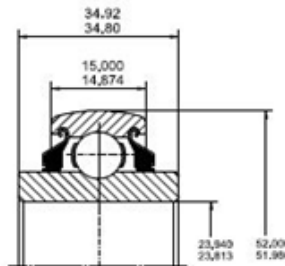


204KRD4



205KR3

Agricultural / Special Application Ball Bearings					
Round Bore - Cylindrical					
	Bore 'd' <i>Inch / mm</i>	Outside Diameter 'D' <i>Inch / mm</i>	Inner Ring Width 'B' <i>Inch / mm</i>	Outer Ring Width 'C' <i>Inch / mm</i>	Special Features
204KRD4	0.630 16	1.850 47	0.689 17.50	0.5512 14	Cylindrical OD, Metric bore, single-lip trash seal extended one side, metal shield opposite
205KR3	0.751 19.075	2.0472 52	0.640 16.256	0.700 17.78	Cylindrical OD, extended outer ring with one open side, single metal shroud trash seal opposite



205PPB7

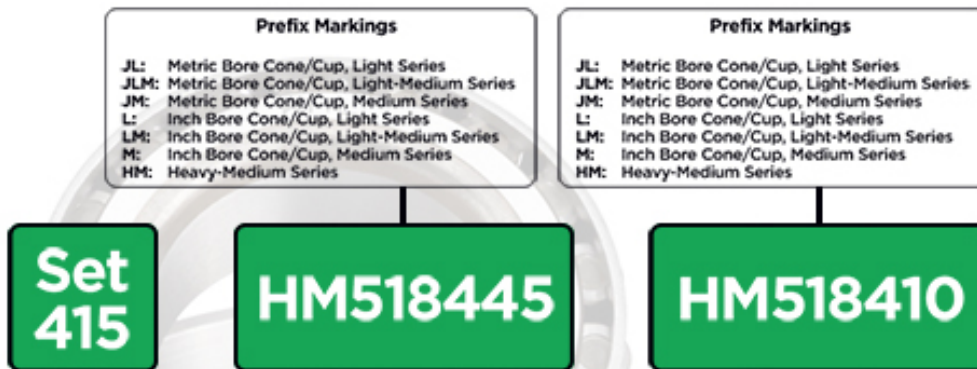
Agricultural / Special Application Ball Bearings					
Round Bore - Spherical					
205PPB7	0.9375 23.813	2.0472 52	1.378 35	0.5905 15	Spherical OD, extended inner ring both sides, triple-lip metal shroud seals both sides



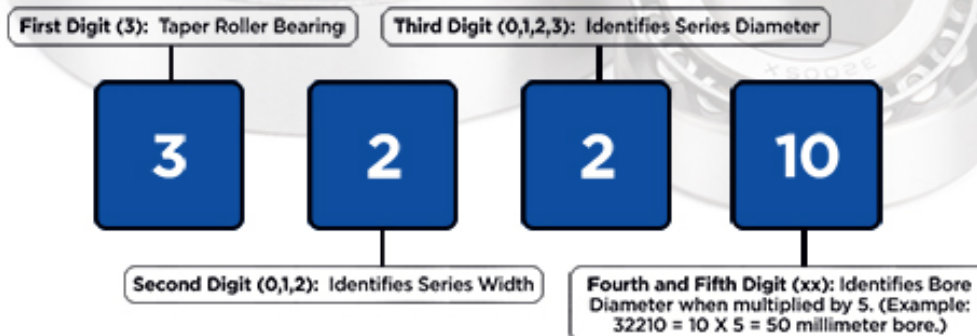


Tapered Roller Bearings

KML's Inch Size Tapered Roller Bearing Part Numbering System is a series of formats that in combination identify a specific part number. Multiple cup and cone industry part numbers can be combined to provide different bore/shaft size, housing diameter and assembled width bearing configurations. These are generally supplied as a Set Part Number consisting of a Cup and Cone Assembly.



KML's ISO Metric Tapered Roller Bearing Part Numbering System is a series of formats that in combination identify a specific part number. Each digit of the 5 place part number represents an individual aspect of the part.





TRAILER KITS



- | |
|--|
| K1000 : Fitting 1" Axles
2 sets L44643 / L44610 |
| K1063 : Fitting 1-1/16" Axles
2 sets L44649 / L44610 |
| K3500 : Fitting 3500 Lbs Axles
1 set L68149/L68111 and 1 set L44649/L44610 |

Everything you need for trailer wheel bearing replacement.

- Boat Trailers
- Snowmobiles
- Campers
- Utility Trailers
- Golf Carts

Each kit contains all parts for replacing 1 wheel bearing assembly

- 2- Roller bearing sets (Cup & Cone)
- 1- Seal
- 1- Cotter pin
- 1- Grease pouch
- 1- Mounting instruction sheet

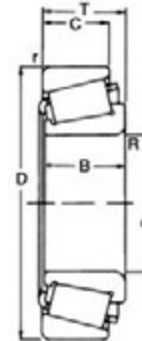


ROLLER BEARINGS



TAPERED ROLLER BEARINGS

Metric Size



Boundary dimensions (mm)							Basic load rating N		Limiting speeds RPM		Mass (kg)	Bearing No.
d	D	T	B	C	R _{min}	r _{min}	dynamic Cr	static Cor	Grease	oil		
15	42	14.25	13	11	1	1	21 200	12 700	9 900	13 000	0.098	30302
17	40	13.25	12	11	1	1	17 900	11 000	9 900	13 000	0.080	30203
	47	15.25	14	12	1	1	33 000	21 200	9 000	12 000	0.134	30303
20	42	15	15	12	0.6	0.6	22 900	15 600	9 500	13 000	0.097	32004X
	47	15.25	14	12	1	1	26 000	16 600	8 800	12 000	0.127	30204
	52	16.25	15	13	1.5	1.5	31 900	20 000	8 000	11 000	0.169	30304
25	47	15	15	11.5	0.6	0.6	25 500	18 300	7 900	11 000	0.114	32005X
	52	16.25	15	13	1	1	29 200	19 300	7 300	9 800	0.154	30205
	52	19.25	18	16	1	1	34 100	25 000	7 300	9 800	0.187	32205
	62	18.25	17	15	1.5	1.5	41 800	26 500	6 700	8 900	0.272	30305
30	55	17	17	13	1	1	33 600	24 500	6 900	9 200	0.166	32006X
	62	17.25	16	14	1	1	38 000	25 500	6 300	8 400	0.241	30206
	62	21.25	20	17	1	1	47 300	33 500	6 300	8 400	0.301	32206
	72	20.75	19	16	1.5	1.5	52 800	34 500	5 700	7 600	0.408	30306
	72	28.75	27	23	1.5	1.5	72 100	52 000	5 700	7 600	0.583	32306
35	62	18	18	14	1	1	40 200	30 500	6 100	8 100	0.224	32007X
	72	18.25	17	15	1.5	1.5	48 400	32 500	5 500	7 400	0.344	30207
	72	24.25	23	19	1.5	1.5	61 600	45 000	5 500	7 400	0.457	32207
	80	22.75	21	18	2	1.5	68 200	45 000	5 000	6 600	0.520	30307
	80	32.75	31	25	2	1.5	89 700	65 500	5 000	6 600	0.787	32307
40	68	19	19	14.5	1	1	44 500	40 000	5 300	7 100	0.278	32008X
	80	19.75	18	16	1.5	1.5	58 300	40 000	4 900	6 600	0.435	30208
	80	24.75	23	19	1.5	1.5	70 400	50 000	4 900	6 600	0.558	32208
	90	25.25	23	20	2	1.5	80 900	56 000	4 400	5 900	0.769	30308
	90	25.25	23	17	2	1.5	69 300	46 500	3 900	5 200	0.738	31308
	90	35.25	32	27	2	1.5	110 000	83 000	4 400	5 900	1.080	32308
45	75	20	20	15.5	1	1	55 000	44 000	4 800	6 400	0.346	32009X
	85	20.75	19	16	1.5	1.5	62 700	44 000	4 400	5 900	0.495	30209
	85	24.75	23	19	1.5	1.5	74 800	56 000	4 400	5 900	0.607	32209
	85	32	32	25	1.5	1.5	101 000	81 500	4 400	5 900	0.783	33209
	100	27.25	25	22	2	1.5	101 000	72 000	4 000	5 300	1.010	
	100	27.25	25	18	2	1.5	85 800	60 000	3 500	4 600	0.958	31309
	100	38.25	36	30	2	1.5	132 000	102 000	4 000	5 300	1.460	32309
50	80	20	20	15.5	1	1	57 200	48 000	4 400	5 800	0.366	32010X
	90	21.75	20	17	1.5	1.5	70 400	52 000	4 000	5 300	0.563	30210
	90	24.75	23	19	1.5	1.5	70 400	52 000	4 000	5 300	0.648	32210
	110	29.25	27	23	2.5	2	117 000	83 000	3 600	4 800	1.310	30310
	110	29.25	27	19	2.5	2	99 000	69 500	3 200	4 200	1.250	31310
	110	42.25	40	33	2.5	2	161 000	127 000	3 600	4 800	1.920	32310

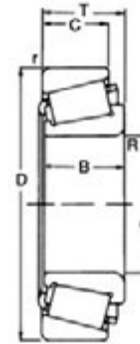


ROLLER BEARINGS



TAPERED ROLLER BEARINGS

Metric Size



Boundary dimensions (mm)							Basic load rating N		Limiting speeds RPM		Mass (kg)	Bearing No.
d	D	T	B	C	R _{min}	r _{min}	dynamic C _r	static C _{0r}	Grease	oil		
55	90	23	23	17.5	1.5	1.5	76 500	64 000	4 000	5 400	0.563	32011X
	100	22.75	21	18	2	1.5	84 200	61 000	3 600	4 900	0.740	30211
	100	26.75	25	21	2	1.5	99 000	75 000	3 600	4 900	0.876	32211
	120	31.5	29	21	2.5	2	134 000	96 500	3 300	4 400	1.660	30311
	120	31.5	29	21	2.5	2	114 000	80 000	2 900	3 800	1.590	31311
	120	45.5	43	35	35	2.5	187 000	15 0000	3 300	4 400	2.440	32311
60	95	23	23	17.5	1.5	1.5	76 500	67 000	3 700	4 900	0.576	32012X
	110	23.75	22	19	2	1.5	91 300	65 500	3 400	4 500	0.949	30212
	110	29.75	28	24	2	1.5	119 000	91 500	3 400	4 500	1.180	32212
	130	33.5	31	26	3	2.5	161 000	116 000	3 000	4 000	2.060	30312
	130	48.5	46	37	37	3	216 000	17 3000	3 000	4 000	3.020	32312
65	100	23	23	17.5	1.5	1.5	78 100	68 000	3 400	4 600	0.630	32013X
	120	24.75	23	20	2	1.5	108 000	78 000	3 100	4 200	1.180	30213
	120	32.75	31	27	2	1.5	142 000	112 000	3 100	4 200	1.580	32213
	140	36	33	28	3	2.5	183 000	134 000	2 800	3 700	2.550	30313
	140	36	33	23	3	2.5	154 000	112 000	2 500	3 300	2.420	31313
	140	51	48	39	39	3	246 000	200 000	2 800	3 700	3.660	32313
70	110	25	25	19	1.5	1.5	95 200	83 000	3 200	4 200	0.848	32014X
	125	26.25	24	21	2	1.5	119 000	88 000	2 900	3 900	1.260	30214
	125	33.25	31	27	2	1.5	147 000	118 000	2 900	3 900	1.680	32214
	150	38	35	25	3	2.5	176 000	127 000	2 300	3 000	2.920	31314
75	115	25	25	19	1.5	1.5	99 000	88 000	3 000	4 000	0.909	32015X
	130	27.25	25	22	2	1.5	130 000	100 000	2 700	3 600	1.410	30215
	130	33.25	31	27	2	1.5	151 000	120 000	2 700	3 600	1.740	32215
80	125	29	29	22	1.5	1.5	128 000	116 000	2 800	3 700	1.280	32016X
	140	35.25	33	28	2.5	2	176 000	137 000	2 500	3 400	2.180	32216
85	130	29	29	22	1.5	1.5	130 000	120 000	2 600	3 500	1.350	32017X
	150	38.5	36	30	2.5	2	201 000	163 000	2 400	3 200	2.750	32217
90	140	32	32	24	2	1.5	157 000	146 000	2 500	3 300	1.790	32018X
	160	32.5	30	26	2.5	2	183 000	140 000	2 200	3 000	2.660	30218
	160	42.5	40	34	2.5	2	238 000	193 000	2 200	3 000	3.490	32218
	190	46.5	43	36	4	3	308 000	236 000	2 000	2 700	6.030	30318
100	150	32	32	24	2	1.5	161 000	150 000	2 200	3 000	1.910	32020X
	180	49	46	39	3	2.5	297 000	250 000	2 000	2 700	5.120	32220
105	190	53	50	43	3	2.5	341 000	290 000	1 900	2 500	6.250	32221
110	170	38	38	29	2.5	2	220 000	208 000	2 000	2 700	3.070	32022X
120	180	38	38	29	2.5	2	229 000	224 000	1 800	2 500	3.250	32024X
130	200	45	45	34	2.5	2	297 000	290 000	1 700	2 200	4.960	32026X

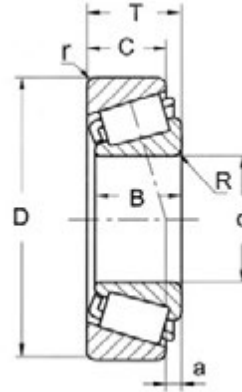


ROLLER BEARINGS



TAPERED ROLLER BEARINGS

Inch Size - Sorted by Set Assembly Number



Assembly No.	Boundary dimensions (inches)							Mass (kg)	Bearing No.	
	d	D	T	B	C	Rmin	rmin		Cone	Cup
SET 749/742	3.3475	5.9090	1.4375	1.8375	1.4375	3.5	3.3	3.24	749	742
SET 1280/1220	0.8750	2.2500	0.8750	0.875	0.6875	0.8	1.5	0.28	1280	1220
SET 2580/2523	1.2500	2.7500	0.9375	0.9983	0.7500	0.8	1.3	0.45	2580	2523
SET 3982/3920	2.5000	4.4375	1.1875	1.1830	0.9375	3.5	3.3	1.200	3982	3920
SET 07100/07204	1.0000	2.0740	0.5910	0.5614	0.5000	1.0	1.3	0.14	07100	07204
SET 15123/15245	1.2500	2.4409	0.7500	0.7500	0.5625	Spec	1.3	0.244	15123	15245
SET JM205149/10	1.9685	3.5433	0.9055	1.1024	0.9055	3.0	2.5	0.752	JM205149	JM205110
SET JM207049A/10	2.1654	3.7402	0.9252	1.1417	0.9252	6.0	2.5	0.81	JM207049A	JM207010
SET M84549/10	1.0625	2.2500	0.5800	0.7650	0.5800	1.5	1.5	2.3	M84549	M84510
SET1	0.6875	1.5700	0.5450	0.5750	0.4208	1.3	1.3	0.083	LM11749	LM11710
SET2	0.7500	1.7810	0.6100	0.6550	0.4750	1.3	1.3	0.124	LM11949	LM11910
SET3	0.8437	1.9687	0.6900	0.7200	0.5500	1.3	1.3	0.169	M12649	M12610
SET4	1.0625	1.9800	0.5600	0.5800	0.4208	3.5	1.3	0.115	L44649	L44610
SET5	1.3750	2.5625	0.7100	0.7200	0.5500	Spec	1.3	0.248	LM48548	LM48510
SET6	1.2500	2.3280	0.6250	0.6600	0.4650	Spec	1.3	0.180	LM67048	LM67010
SET8	1.1417	1.9800	0.5600	0.5800	0.4208	3.5	1.3	0.110	L 45449	L45410
SET11	1.4961	2.4803	0.6693	0.6693	0.5315	Spec	1.3	0.194	JL69349	JL69310
SET12	0.8656	1.7810	0.6100	0.6550	0.4750	1.3	1.3	0.123	LM12749	LM12710
SET13	1.3775	2.3280	0.6250	0.6600	0.47.00	Spec	1.3	0.167	L 68149	L68110
SET14	1.0000	1.9800	0.5600	0.5800	0.4200	1.3	1.3	0.130	L 44643	L44610
SET16	0.8656	1.8100	0.6100	0.6550	0.4750	1.3	1.3	0.121	LM12749	LM12711
SET17	1.3775	2.3612	0.6250	0.6600	0.4700	Spec	1.3	0.174	L 68149	L 68111
SET36	1.7812	3.0625	0.7812	0.7812	0.6562	3.5	0.8	0.381	LM603049	LM603012
SET37	1.7812	3.0625	0.8437	0.7812	0.5937	3.5	0.8	0.363	LM603049	LM603011
SET38	2.0000	3.2500	0.8313	0.8750	0.6500	3.5	1.3	0.419	LM104949	LM104911
SET45	1.6250	2.8910	0.7700	0.7800	0.5800	3.5	0.8	0.327	LM501349	LM501310
SET46	1.2598	2.0866	0.5709	0.5906	0.4528	3.5	1.3	0.120	JL26749	JL26710
SET47	1.7812	2.8910	0.7700	0.7800	0.6200	3.5	0.8	0.303	LM102949	LM102910

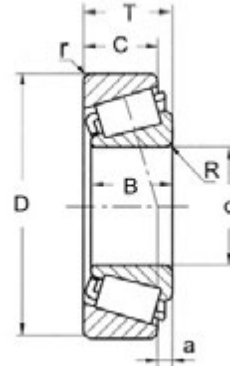


ROLLER BEARINGS



TAPERED ROLLER BEARINGS

Inch Size - Sorted by Set Assembly Number



Assembly No.	Boundary dimensions (inches)							Mass (kg)	Bearing No.	
	d	D	T	B	C	Rmin	rmin		Cone	Cup
SET52	1.7500	3.2650	0.9375	1.0000	0.7500	3.5	0.8	0.561	25580	25520
SET53	1.7500	3.2650	1.0625	1.0000	0.8750	3.5	2.3	0.603	25580	25523
SET54	1.7960	3.2650	1.0625	1.0000	0.7500	3.5	0.8	0.544	25590	25520
SET56	1.5000	2.5625	0.7100	0.7200	0.5500	Spec	1.3	0.233	LM29748	LM29710
SET61	0.6250	1.6875	0.5625	0.5625	0.3750	1.5	1.5	0.100	11590	11520
SET63	1.3125	2.6875	0.8750	0.8750	0.6875	0.8	1.5	0.379	M88048	M88010
SET69	1.6250	2.8910	0.8437	0.7800	0.6537	3.5	0.8	0.350	LM501349	LM501314
SET70	1.5000	2.5625	0.7100	0.7200	0.5500	2.3	1.3	0.235	LM29749	LM29710
SET82	2.0000	3.2283	0.8465	0.8750	0.6693	3.5	0.5	0.429	LM104949	JLM104910
SET401	3.2500	5.5115	1.4375	1.4212	1.1250	3.5	3.3	2.220	580	572
SET403	3.7500	6.0000	1.5625	1.4300	1.1875	5.0	3.3	2.510	594A	592A
SET404	3.6250	6.0000	1.5625	1.4300	1.1875	6.4	3.3	2.630	598A	592A
SET405	3.2500	5.7500	1.6250	1.6250	1.2500	3.5	3.3	2.740	663	653
SET406	1.7500	3.6718	1.1875	1.1930	0.9375	3.5	3.3	0.961	3782	3720
SET407	2.2500	3.8437	0.9688	0.9688	0.7656	3.5	0.8	0.747	28682	28622
SET408	4.4375	4.4375	1.1875	1.1875	0.9375	3.5	3.3	1.180	39590	39520
SET410	2.0000	4.1250	1.1875	1.2188	0.9375	6.4	3.3	1.220	45284	45220
SET411	3.2500	5.2500	1.3125	1.3125	1.0313	3.5	3.3	1.720	47686	47620
SET412	2.5000	4.8125	1.5000	1.5100	1.1487	7.0	3.3	1.940	HM212047	HM212011
SET413	2.6250	4.8125	1.5000	1.5100	1.1700	3.5	3.3	1.850	HM212049	HM212011
SET414	3.5423	5.7864	1.5748	1.5748	1.2795	7.0	3.5	2.520	HM218248	HM218210
SET415	3.500	6.0000	1.5625	1.5625	1.1875	3.5	3.3	2.840	HM518445	HM518410

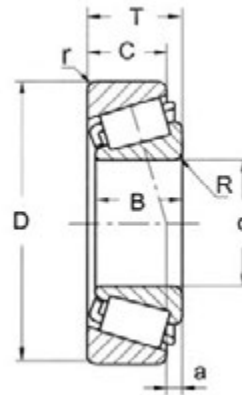


ROLLER BEARINGS



TAPERED ROLLER BEARINGS

Inch Size - Sorted by Cone Part Number



Bearing No.		Boundary dimensions (mm)							Mass (kg)	Assembly No.	
Cone	Cup	d	D	T	B	C	Rmin	rmin			
07100	07204	25.400	51.994	30.079	14.260	12.700	1.0	1.3	0.14	SET 07100/07204 SET61	
11590	11520	15.875	42.862	14.288	14.288	9.525	1.5	1.5	0.100		
1280	1220	22.225	57.150	22.225	22.225	17.462	0.8	1.5	0.28		
15123	15245	31.750	62.000	18.161	19.050	14.288	Spec	1.3	0.244		SET 1280/1220 SET 15123/15245 SET52
25580	25520	44.450	82.931	23.812	25.400	19.050	3.5	0.8	0.561		
25580	25523	44.450	82.931	26.988	25.400	22.225	3.5	2.3	0.603	SET53 SET54	
25590	25520	45.618	82.931	23.812	25.400	19.050	3.5	0.8	0.544		
2580	2523	31.750	69.850	23.813	25.357	19.050	0.8	1.3	0.45	SET 2580/2523 SET407 SET406	
28682	28622	57.150	97.630	24.608	24.608	19.446	3.5	0.8	0.747		
3782	3720	44.450	93.264	30.162	30.302	23.812	3.5	3.3	0.961		
39590	39520	66.675	112.712	30.162	30.162	23.812	3.5	3.3	1.180	SET408 SET 3982/3920	
3982	3920	63.500	112.712	30.162	30.048	23.812	3.5	3.3	1.200		
45284	45220	50.800	104.775	30.162	30.958	23.812	6.4	3.3	1.220	SET410 SET411	
47686	47620	82.550	133.350	33.338	33.338	26.195	3.5	3.3	1.720		
580	572	82.550	139.992	36.512	36.098	28.575	3.5	3.3	2.220	SET401	
594A	592A	95.250	152.400	39.688	36.322	30.162	5.0	3.3	2.510	SET403 SET404	
598A	592A	92.075	152.400	39.688	36.322	30.162	6.4	3.3	2.630		
663	653	82.550	146.050	41.275	41.275	31.750	3.5	3.3	2.740	SET405 SET 749/742 SET412	
749	742	85.026	150.089	44.450	46.672	36.512	3.5	3.3	3.24		
HM212047	HM212011	63.500	122.238	38.100	38.354	29.718	7.0	3.3	1.940		
HM212049	HM212011	66.675	122.238	38.100	38.354	29.718	3.5	3.3	1.850	SET413 SET413	
HM218248	HM218210	89.975	146.975	40.000	40.000	32.500	7.0	3.5	2.520		
HM518445	HM518410	88.900	152.400	39.688	39.688	30.163	3.5	3.3	2.840	SET415 SET46 SET11	
JL26749	JL26710	32.000	53.000	14.500	15.000	11.500	3.5	1.3	0.120		
JL69349	JL69310	38.000	63.000	17.000	17.000	13.500	Spec	1.3	0.194		
JM205149	JM205110	50.000	90.000	28.000	28.000	23.000	3.0	2.5	0.752	SET JM205149/10 SET JM207049A/10 SET14 SET4 SET8	
JM207049A	JM207010	55.000	95.000	29.000	29.000	23.500	6.0	2.5	0.81		
L 44643	L 44610	25.400	50.292	14.224	14.732	10.668	1.3	1.3	0.130		
L 44649	L 44610	26.988	50.292	14.244	14.732	10.688	3.5	1.3	0.115		
L 45449	L 45410	29.000	50.292	14.224	14.732	10.668	3.5	1.3	0.110		

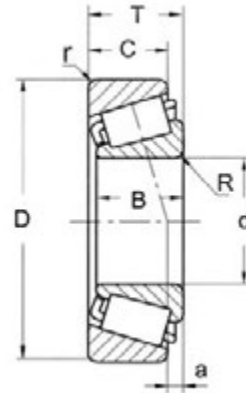


ROLLER BEARINGS



TAPERED ROLLER BEARINGS

Inch Size - Sorted by Cone Part Number



Bearing No.		Boundary dimensions (mm)							Mass (kg)	Assembly No.
Cone	Cup	d	D	T	B	C	Rmin	rmin		
L 68149	L 68110	34.988	59.131	15.875	16.764	11.938	Spec	1.3	0.167	SET13 SET17 SET47 SET82 SET38
L 68149	L 68111	34.988	59.974	15.875	16.764	11.938	Spec	1.3	0.174	
LM102949	LM102910	45.242	73.431	19.588	19.812	15.748	3.5	0.8	0.303	
LM104949	JLM104910	50.800	82.000	21.500	22.225	17.000	3.5	0.5	0.429	
LM104949	LM104911	50.800	82.550	21.590	22.225	16.510	3.5	1.3	0.419	
LM11749	LM11710	17.462	39.878	13.843	14.605	10.688	1.3	1.3	0.083	SET1 SET2 SET6 SET34 SET12
LM11949	LM11910	19.050	45.237	15.494	16.637	12.065	1.3	1.3	0.124	
LM67048	LM67010	31.750	59.131	15.875	16.764	11.811	Spec	1.3	0.180	
LM12748	LM12710	21.430	45.237	15.494	16.637	12.065	1.3	1.3	0.121	
LM12749	LM12710	21.986	45.237	15.494	16.637	12.065	1.3	1.3	0.123	
LM12749	LM12711	21.986	45.974	15.494	16.637	12.065	1.3	1.3	0.121	SET16 SET56 SET5 SET70 SET45
LM29748	LM29710	38.100	65.088	18.034	18.288	13.970	Spec	1.3	0.233	
LM48548	LM48510	34.925	65.088	18.034	18.288	13.970	Spec	1.3	0.248	
LM29749	LM29710	38.100	65.088	18.034	18.288	13.970	2.3	1.3	0.235	
LM501349	LM501310	41.275	73.431	19.588	19.812	14.732	3.5	0.8	0.327	
LM501349	LM501314	41.275	73.431	21.430	19.812	16.604	3.5	0.8	0.350	SET69 SET37 SET36 SET3 SET M84549/10 SET63
LM603049	LM603011	45.242	77.788	19.842	19.842	15.080	3.5	0.8	0.363	
LM603049	LM603012	45.242	77.788	21.430	19.842	16.667	3.5	0.8	0.381	
M12649	M12610	21.430	50.005	17.526	18.288	13.970	1.3	1.3	0.169	
M84549	M84510	26.988	57.150	19.431	19.431	14.732	1.5	1.5	0.23	
M88048	M88010	33.338	68.262	22.225	22.225	17.462	0.8	1.5	0.379	



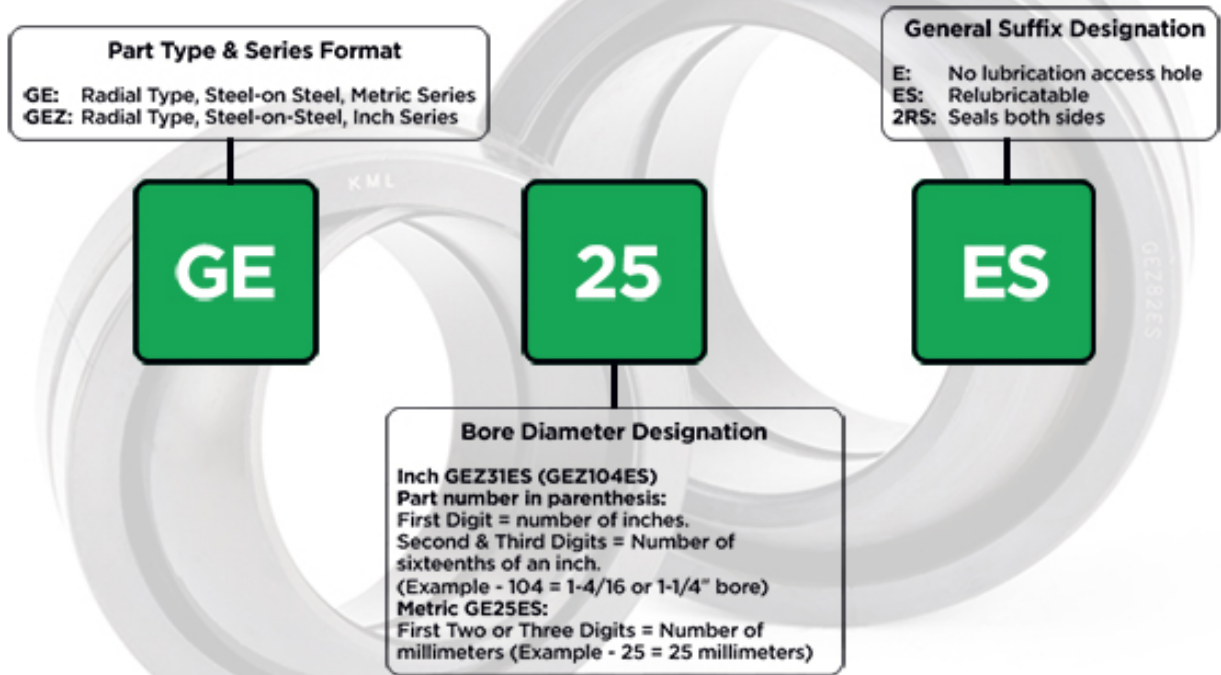
SPHERICAL PLAIN BEARINGS





Spherical Plain Bearings

KML's Spherical Plain Bearing Part Numbering System is a series of formats that in combination identify a specific part number. These formats identify the spherical plain bearing type, bore size and additional part-specific information.

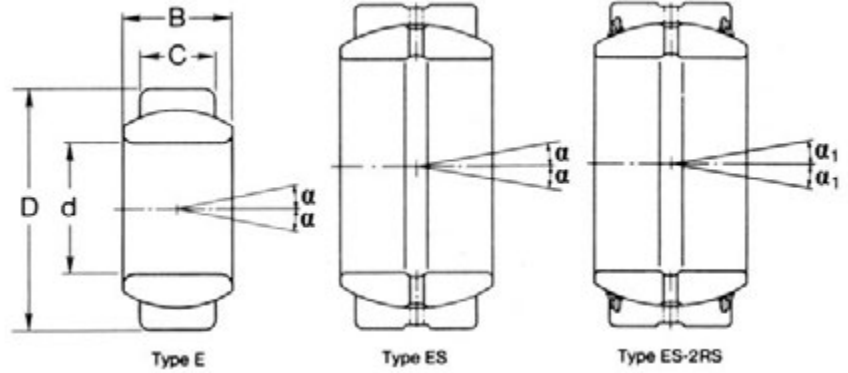




SPHERICAL PLAIN BEARINGS



RADIAL TYPE Metric Size



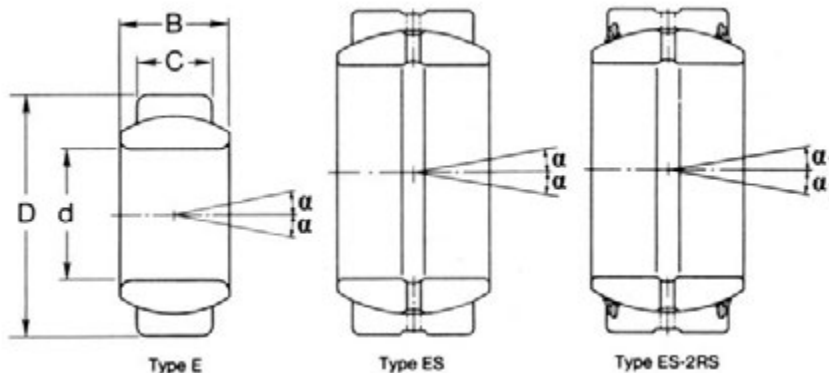
Bearing Number With Seals - 2RS	Dimensions				Angle of tilt ∞	∞ 1	Weight	
	d	D	B	C			kg	Lbs
	In.	In.	In.	In.	Degrees			
GE 6 E	0.2362	0.5512	0.2362	0.1575	13	-	0.004	0.009
GE 8 E	0.315	0.6299	0.315	0.1969	15	-	0.008	0.018
GE 10 E	0.3937	0.748	0.3543	0.2362	12	-	0.012	0.026
GE 12 E	0.4724	0.8661	0.3937	0.2756	11	-	0.017	0.037
GE 15 ES	0.5906	1.0236	0.4724	0.3543	8	-	0.032	0.07
GE 15 ES-2RS	0.5906	1.0236	0.4724	0.3543	8	-	0.032	0.07
GE 17 ES	0.6693	1.1811	0.5512	0.3937	10	-	0.05	0.11
GE 17 ES-2RS	0.6693	1.1811	0.5512	0.3937	10	-	0.05	0.11
GE 20 ES	0.7874	1.378	0.6299	0.4724	9	6	0.065	0.14
GE 20 ES-2RS	0.7874	1.378	0.6299	0.4724	9	6	0.065	0.14
GE 25 ES	0.9843	1.6535	0.7874	0.6299	7	4	0.12	0.26
GE 25 ES-2RS	0.9843	1.6535	0.7874	0.6299	7	4	0.12	0.26
GE 30 ES	1.1812	1.8504	0.8661	0.7087	6	4	0.16	0.35
GE 30 ES-2RS	1.1812	1.8504	0.8661	0.7087	6	4	0.16	0.35
GE 35 ES	1.378	2.1653	0.9843	0.7874	6	4	0.23	0.51
GE 35 ES-2RS	1.378	2.1653	0.9843	0.7874	6	4	0.23	0.51
GE 40 ES	1.5748	2.4409	1.1024	0.8661	7	4	0.32	0.70
GE 40 ES-2RS	1.5748	2.4409	1.1024	0.8661	7	4	0.32	0.70
GE 45 ES	1.7717	2.6772	1.2598	0.9843	7	4	0.46	1.01
GE 45 ES-2RS	1.7717	2.6772	1.2598	0.9843	7	4	0.46	1.01
GE 50 ES	1.9688	2.9528	1.378	1.1024	6	4	0.56	1.23
GE 50 ES-2RS	1.9688	2.9528	1.378	1.1024	6	4	0.56	1.23
GE 60 ES	2.3622	3.5433	1.7323	1.4173	6	3	1.10	2.42
GE 60 ES-2RS	2.3622	3.5433	1.7323	1.4173	6	3	1.10	2.42



SPHERICAL PLAIN BEARINGS



RADIAL TYPE Metric Size



Bearing Number With Seals - 2RS	Dimensions				Angle of tilt ∞	∞ 1	Weight	
	d	D	B	C			kg	Lbs
	In. mm	In. mm	In. mm	In. mm	Degrees			
GE 70 ES	2.7559 70	4.1339 105	1.9291 49	1.5748 40	6	4	1.55	3.42
GE 70 ES-2RS	2.7559 70	4.1339 105	1.9291 49	1.5748 40	6	4	1.55	3.42
GE 80 ES	3.1496 80	4.7245 120	2.1654 55	1.7717 45	6	4	2.30	5.07
GE 80 ES-2RS	3.1496 80	4.7245 120	2.1654 55	1.7717 45	6	4	2.30	5.07
GE 90 ES	3.5433 90	5.1181 130	2.3622 60	1.9688 50	5	3	2.75	6.06
GE 90 ES-2RS	3.5433 90	5.1181 130	2.3622 60	1.9688 50	5	3	2.75	6.06
GE 100 ES	3.9370 100	5.9055 150	2.7559 70	2.1564 55	7	-	4.45	9.81
GE 100 ES-2RS	3.9370 100	5.9055 150	2.7559 70	2.1564 55	7	-	4.45	9.81
GE 110 ES	4.3307 110	6.2992 160	2.7559 70	2.1564 55	6	-	4.82	10.63
GE 110 ES-2RS	4.3307 110	6.2992 160	2.7559 70	2.1564 55	6	-	4.82	10.63
GE 120 ES	4.7244 120	7.0866 180	3.6465 85	2.7559 70	6	-	8.05	17.75
GE 120 ES-2RS	4.7244 120	7.0866 180	3.6465 85	2.7559 70	6	-	8.05	17.75
GE 140 ES	5.5118 140	8.2677 210	3.5433 90	2.7559 70	7	-	11.02	24.3
GE 140 ES-2RS	5.5118 140	8.2677 210	3.5433 90	2.7559 70	7	-	11.02	24.3
GE 160 ES	6.2992 160	9.0551 230	4.1339 105	3.1496 80	8	-	14.01	30.89
GE 160 ES-2RS	6.2992 160	9.0551 230	4.1339 105	3.1496 80	8	-	14.01	30.89
GE 180 ES	7.0866 180	10.2362 260	4.1339 105	3.1496 80	6	-	18.65	41.12
GE 180 ES-2RS	7.0866 180	10.2362 260	4.1339 105	3.1496 80	6	-	18.65	41.12

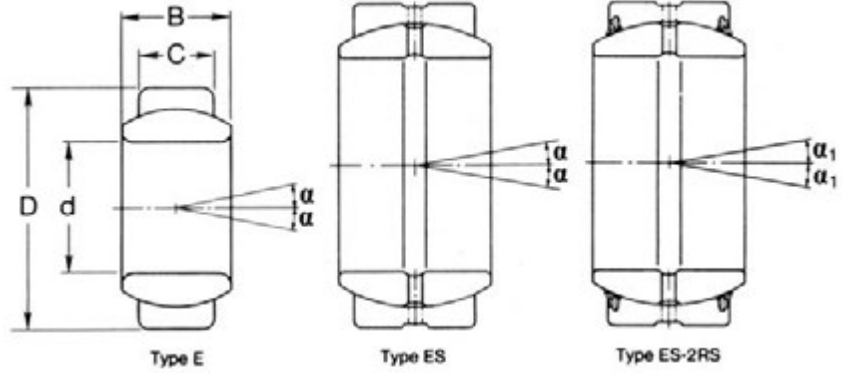


SPHERICAL PLAIN BEARINGS



RADIAL TYPE

Inch Size



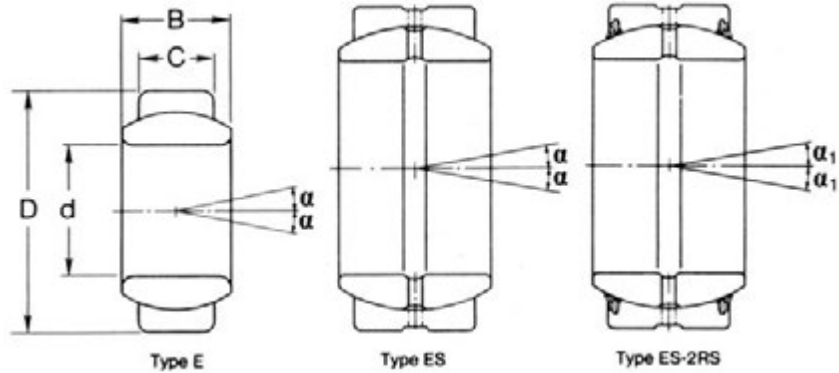
Bearing Number With Seals - 2RS	Alternate Bearing Number With Seals - 2RS	Dimensions				Angle of tilt ∞ Degrees	Weight kg Lbs
		d	D	B	C		
		In. mm	In. mm	In. mm	In. mm		
GEZ 12 ES	(GEZ 008 ES)	0.5 12.7	0.875 22.225	0.437 11.1	0.375 9.525	6	0.020 0.044
GEZ 15 ES	(GEZ 010 ES)	0.625 15.875	1.0625 26.988	0.547 13.894	0.469 11.913	6	0.035 0.077
GEZ 19 ES	(GEZ 012 ES)	0.75 19.05	1.25 31.75	0.656 16.662	0.562 14.275	6	0.055 0.12
GEZ 19 ES-2RS	(GEZ 012 ES-2RS)	0.75 19.05	1.25 31.75	0.656 16.662	0.562 14.275	6	0.055 0.12
GEZ 22 ES	(GEZ 014 ES)	0.875 22.225	1.4375 36.513	0.765 19.431	0.656 16.662	6	0.085 0.19
GEZ 22 ES-2RS	(GEZ 014 ES-2RS)	0.875 22.225	1.4375 36.513	0.765 19.431	0.656 16.662	6	0.085 0.19
GEZ 25 ES	(GEZ 100 ES)	1 25.4	1.625 41.275	0.875 22.225	0.75 19.05	6	0.12 0.26
GEZ 25 ES-2RS	(GEZ 100 ES-2RS)	1 25.4	1.625 41.275	0.875 22.225	0.75 19.05	6	0.12 0.26
GEZ 31 ES	(GEZ 104 ES)	1.25 31.75	2 50.8	1.093 27.762	0.937 23.8	6	0.23 0.51
GEZ 31 ES-2RS	(GEZ 104 ES-2RS)	1.25 31.75	2 50.8	1.093 27.762	0.937 23.8	6	0.23 0.51
GEZ 34 ES	(GEZ 106 ES)	1.375 34.925	2.1875 55.563	1.187 30.15	1.031 26.187	6	0.35 0.77
GEZ 34 ES-2RS	(GEZ 106 ES-2RS)	1.375 34.925	2.1875 55.563	1.187 30.15	1.031 26.187	6	0.35 0.77
GEZ 38 ES	(GEZ 108 ES)	1.5 38.1	2.4375 61.913	1.312 33.325	1.125 28.575	6	0.42 0.93
GEZ 38 ES-2RS	(GEZ 108 ES-2RS)	1.5 38.1	2.4375 61.913	1.312 33.325	1.125 28.575	6	0.42 0.93
GEZ 44 ES	(GEZ 112 ES)	1.75 44.45	2.8125 71.438	1.531 38.887	1.312 33.325	6	0.64 1.41
GEZ 44 ES-2RS	(GEZ 112 ES-2RS)	1.75 44.45	2.8125 71.438	1.531 38.887	1.312 33.325	6	0.64 1.41



SPHERICAL PLAIN BEARINGS



RADIAL TYPE Inch Size



Bearing Number With Seals - 2RS	Alternate Bearing Number With Seals - 2RS	Dimensions				Angle of tilt ∞ Degrees	Weight kg Lbs				
		d	D	B	C						
		In.	mm	In.	mm	In.	mm				
GEZ 50 ES	(GEZ 200 ES)	2	50.8	3.1875	80.963	1.75	44.45	1.5	38.1	6	0.93 2.05
GEZ 50 ES-2RS	(GEZ 200 ES-2RS)	2	50.8	3.1875	80.963	1.75	44.45	1.5	38.1	6	0.93 2.05
GEZ 57 ES	(GEZ 204 ES)	2.25	57.15	3.5625	90.488	1.969	50.013	1.687	42.85	6	1.30 2.87
GEZ 57 ES-2RS	(GEZ 204 ES-2RS)	2.25	57.15	3.5625	90.488	1.969	50.013	1.687	42.85	6	1.30 2.87
GEZ 63 ES	(GEZ 208 ES)	2.5	63.5	3.9375	100.013	2.187	55.55	1.875	47.625	6	1.85 4.08
GEZ 63 ES-2RS	(GEZ 208 ES-2RS)	2.5	63.5	3.9375	100.013	2.187	55.55	1.875	47.625	6	1.85 4.08
GEZ 69 ES	(GEZ 212 ES)	2.75	69.85	4.375	111.125	2.406	61.112	2.062	52.375	6	2.40 5.29
GEZ 69 ES-2RS	(GEZ 212 ES-2RS)	2.75	69.85	4.375	111.125	2.406	61.112	2.062	52.375	6	2.40 5.29
GEZ 76 ES	(GEZ 300 ES)	3	76.2	4.75	120.65	2.625	66.675	2.25	57.15	6	3.10 6.83
GEZ 76 ES-2RS	(GEZ 300 ES-2RS)	3	76.2	4.75	120.65	2.625	66.675	2.25	57.15	6	3.10 6.83
GEZ 82 ES	(GEZ 304 ES)	3.25	82.55	5.125	130.175	2.844	72.238	2.437	61.9	6	3.80 8.38
GEZ 82 ES-2RS	(GEZ 304 ES-2RS)	3.25	82.55	5.125	130.175	2.844	72.238	2.437	61.9	6	3.80 8.38
GEZ 88 ES	(GEZ 308 ES)	3.5	88.9	5.5	139.7	3.062	77.775	2.625	66.675	6	4.8 10.6
GEZ 88 ES-2RS	(GEZ 308 ES-2RS)	3.5	88.9	5.5	139.7	3.062	77.775	2.625	66.675	6	4.8 10.6
GEZ 95 ES	(GEZ 312 ES)	3.75	95.25	5.875	149.225	3.281	83.337	2.812	71.425	6	5.8 12.8
GEZ 95 ES-2RS	(GEZ 312 ES-2RS)	3.75	95.25	5.875	149.225	3.281	83.337	2.812	71.425	6	5.8 12.8



CORROSION RESISTANT PRODUCTS





KML Platinum Series
Corrosion Resistant Bearing Products



KML Corrosion Resistant Wash-down Units are premium quality. We maintain an extensive inventory of all housing styles and mounting types.

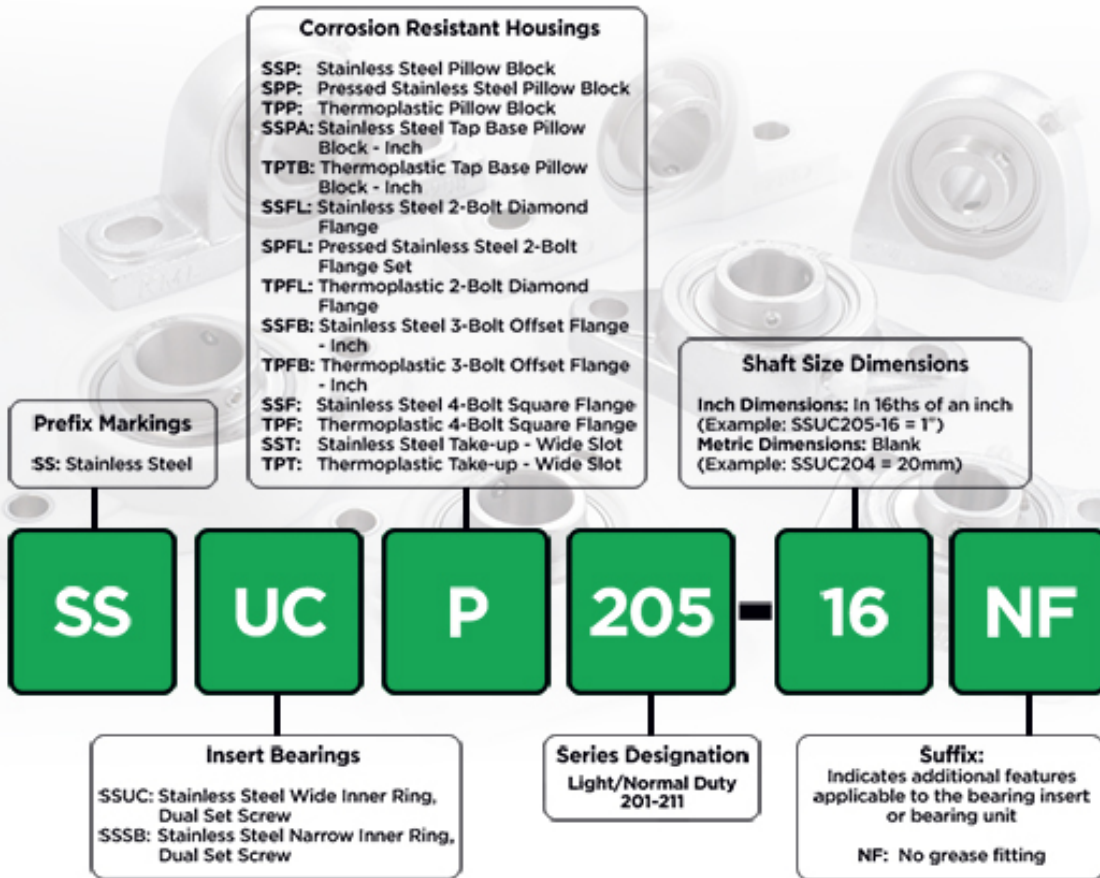
***KML Corrosion Resistant Thermoplastic & Stainless Steel
Mounted Bearing Unit Features and Benefits***

- The insert bearing is constructed of 440C stainless steel for optimum raceway and ball bearing heat treat hardening.
- The insert bearing labyrinth sealing system retains grease while providing an effective barrier to high pressure wash down.
- Mobil FM 222 food grade grease is NSF H-1 certified for HACCP food processing applications.
- Operating Temperature Range of the stainless steel bearing insert is -13°F to 330°F. Thermoplastic housings are limited to 300°F temperature.
- All housing units have smooth surfaces which are easily cleaned with high pressure wash down equipment.
- Exclusive High Frequency Annealing Process in the critical set screw area eliminates cracking in the lock down area when tightened to recommended torque values.
- Set screws have cup point with knurled edge for positive shaft lock.
- Pillow block and tap base housings have a solid base for increased strength and secure mounting.
- 2-bolt, 4-bolt and 3-bolt offset flange housings have solid back faces which reduces harborage sites and increases overall strength.
- Insert bearings feature anti-rotation pins and grease groove on the bearing OD for exceptional grease flow.



Corrosion Resistant Products

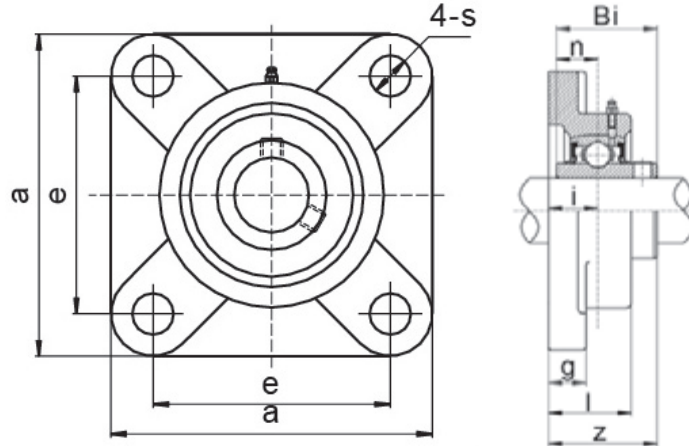
KML's Corrosion Resistant Mounted Bearing Unit Part Numbering System is a series of formats that in combination identify a specific part number. These formats identify the corrosion resistant mounted bearing units type, series, housing style, shaft size and additional part-specific information.





STAINLESS STEEL FOUR BOLT FLANGE - Stainless Steel Insert
SSUCF 200 Series

Solid Base
 Normal Duty
 Set Screw Locking



Unit No.	Shaft Dia.		Dimensions inch / mm									Bolt Size	Bearing No.	Housing No.	Weight Lbs / kg			
	In.	mm	a	e	g	l	s	z	i	Bi	n							
SSUCF201-8	1/2																	
202-10	5/8		3-3/8	2-1/2	15/32	1	7/16	1-5/16	19/32	1.221	0.500	3/8	SSUC201-8					
204		20	86	63.5	12	25.4	11	33.4	15.1	31.0	12.7		202-10	SSF204		1.42	0.645	
204-12	3/4													204				
														204-12				
SSUCF205		25											SSUC205					
205-14	7/8		3-3/4	2-3/4	9/16	1-1/16	29/64	1-13/32	5/8	1.343	0.563	3/8	205-14	SSF205		1.87		
205-15	15/16		95	70	14.0	27	11.5	35.7	15.9	34.1	14.3		205-15			0.85		
205-16	1												205-16					
SSUCF206		30											SSUC206					
206-17	1-1/16												206-17					
206-18	1-1/8		4-1/4	3-1/4	9/16	1-3/16	33/64	1-37/64	45/64	1.500	0.626	3/8	206-18	SSF206		2.57		
206-19	1-3/16		108	82.5	14	30	13.1	40.1	17.9	38.1	15.9		206-19			1.17		
206-20	1-1/4S												206-20					
SSUCF207		35											SSUC207					
207-20	1-1/4												207-20					
207-21	1-5/16		4-5/8	3-5/8	9/16	1-19/64	33/64	1-3/4	3/4	1.689	0.689	7/16	207-21	SSF207		3.32		
207-22	1-3/8		117.5	92	14.3	33	13.1	44.5	19.1	42.9	17.5		207-22			1.51		
207-23	1-7/16												207-23					
SSUCF208		40											SSUC208					
208-24	1-1/2		5-1/8	4	9/16	1-27/64	9/16	2-1/64	13/16	1.689	0.748	7/16	208-24	SSF208		4.44	2.02	
			130	101.6	14.3	36	14	51.2	21	49.2	19.0							
SSUCF209		45											SSUC209					
209-26	1-5/8		5-15/32	4-1/8	9/16	1-1/2	5/8	2-3/64	55/64	1.937	0.748	5/8	209-26	SSF209		4.80		
209-27	1-11/16		137	104.8	14.3	38	16	52	21.8	49.2	19.0		209-27			2.18		
209-28	1-3/4												209-28					
SSUCF210		50											SSUC210					
210-30	1-7/8		5-5/8	4-3/8	19/32	1-17/32	5/8	2-9/64	55/64	2.032	0.748	5/8	210-30	SSF210		5.35		
210-31	1-15/16		143	111	15.1	39	16	54.4	21.8	51.6	19.0		210-31			2.43		
210-32	2S												210-32					
SSUCF211		55											SSUC211					
211-32	2		6-3/8	5-1/8	23/32	1-11/16	43/64	2-5/16	7/8	2.189	0.874	5/8	211-32	SSF211		8.10	3.67	
			162	130.2	18.3	42.9	17.1	58.7	25	55.6	22.2							

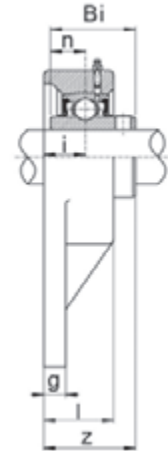
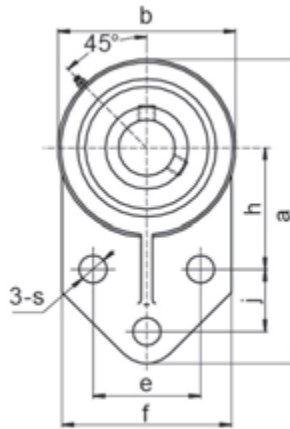


CORROSION RESISTANT PRODUCTS



STAINLESS STEEL FLANGE BRACKET - Stainless Steel Insert SSUCFB 200 Series

Normal Duty
Set Screw Locking
Inch Dimension



Unit No.	Shaft Dia.		Dimensions inch / mm													Bolt Size	Bearing No.	Housing No.	Weight Lbs kg	
	In.	mm	a	h	e	j	i	g	l	s	b	f	z	Bi	n					
SSUCFB201-8	1/2																	SSUC201-8		
202-10	5/8		4-1/4	1-11/16	1-1/2	7/8	5/8	5/16	1	25/64	2-31/64	2-23/64	1-11/32	1.220	0.500	5/16	202-10	SSFB204	1.28	
204		20	108	42.9	38.1	22.2	16	8	25.4	9.9	63	60	34.3	31	12.7	M8	204		0.58	
204-12	3/4																	204-12		
SSUCFB205		25																SSUC205		
205-14	7/8		4-40/64	1-13/16	1-5/8	1-1/8	21/32	3/8	1-9/64	25/64	2-3/4	2-33/64	1-29/64	1.343	0.563	5/16	205-14	SSFB205	1.63	
205-15	15/16		121	46	41.3	28.6	17	9.5	29	9.9	70	64	36.8	34.1	14.3	M8	205-15		0.74	
205-16	1																	205-16		
SSUCFB206		30																SSUC206		
206-17	1-1/16																	206-17		
206-18	1-1/8		5-25/64	2-1/16	1-7/8	1-1/4	3/4	3/8	1-1/4	25/64	3-17/64	2-3/4	1-5/8	1.500	0.626	5/16	206-18	SSFB206	2.40	
206-19	1-3/16		137	52.4	47.6	31.8	19	9.5	32	9.9	83	70	41.2	38.1	15.9	M8	206-19		1.09	
206-20	1-1/4S																	206-20		
SSUCFB207		35																SSUC207		
207-20	1-1/4																	207-20		
207-21	1-5/16		6-9/64	2-3/8	2	1-1/4	13/16	17/32	1-29/64	33/64	3-3/4	3-1/4	1-53/64	1.689	0.689	3/8	207-21	SSFB207	3.61	
207-22	1-3/8		156	60.3	50.8	31.8	21	13.5	37	13.1	95	82.5	46.4	42.9	17.5	M10	207-22		1.64	
207-23	1-7/16																	207-23		
SSUCFB208		40																SSUC208		
208-24	1-1/2		6-29/64	2-23/64	1-31/32	1-39/64	13/16	5/8	1-11/32	7/16	3-15/16	3-5/64	2-1/64	1.937	0.748	3/8	208-24	SSFB208	5.04	
208-25	1-9/16		164	60	50	41	21	16	34	11.1	100	78	51.2	49.2	19	M10	208-25		2.29	
SSUCFB209		45																SSUC209		
209-26	1-5/8		6-27/32	2-9/16	2-1/8	1-11/16	13/16	23/32	1-11/32	7/16	4-11/64	3-5/32	2-1/64	1.937	0.748	3/8	209-26	SSFB209	5.70	
209-27	1-11/16		174	65	54	42.9	21	18	34	11.1	106	80	51.2	49.2	19	M10	209-27		2.59	
209-28	1-3/4																	209-28		
SSUCFB210		50																SSUC210		
210-30	1-7/8		7-33/64	2-15/16	2-3/4	1-5/8	13/16	1/2	1-1/2	33/64	4-41/64	4-1/64	2-7/64	2.032	0.748	3/8	210-30	SSFB210	6.91	
210-31	1-15/16		190.9	74.6	69.9	41.3	20.6	12.7	38.1	13.1	117.9	102	53.6	51.6	19	M10	210-31		3.14	
210-32	2S																	210-32		

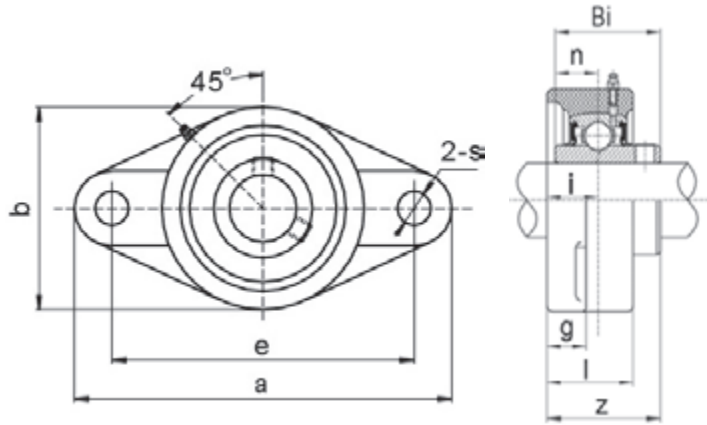


CORROSION RESISTANT PRODUCTS



STAINLESS STEEL TWO BOLT FLANGE - Stainless Steel Insert SSUCFL 200 Series

Solid Base
Normal Duty
Set Screw Locking

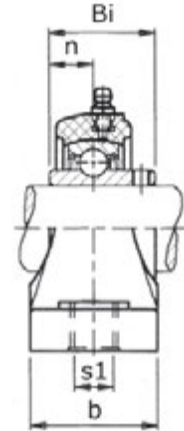
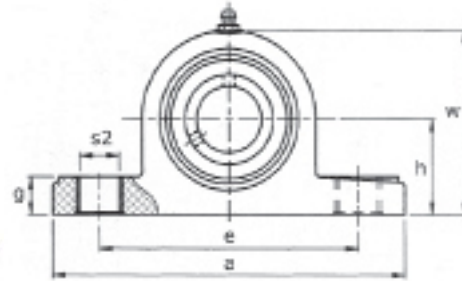


Unit No.	Shaft Dia.		Dimensions inch / mm										Bolt Size	Bearing No.	Housing No.	Weight Lbs kg		
	In.	mm	a	e	b	g	l	s	z	i	Bi	n						
SSUCFL201-8	1/2																	
202-10	5/8		4-13/32	3-17/32	2-23/64	29/64	1	25/64	1-5/16	19/32	1.221	0.500	3/8	SSUC201-8				
204		20	112	89.7	60	11.5	25.4	10	33.4	15.1	31.0	12.7		204	SSFL204	1.10	0.50	
204-12	3/4													204-12				
SSUCFL205		25												SSUC205				
205-14	7/8		4-59/64	3-57/64	2-11/16	1/2	1-1/16	15/32	1-13/32	5/8	1.343	0.563	3/8	205-14	SSFL205	1.408		
205-15	15/16		125	98.8	68	13	27	12	35.7	15.9	34.1	14.3		205-15		0.64		
205-16	1													205-16				
SSUCFL206		30												SSUC206				
206-17	1-1/16													206-17				
206-18	1-1/8		5-35/64	4-19/32	3-5/32	1/2	1-3/16	15/32	1-37/64	45/64	1.500	0.626	3/8	206-18	SSFL206	1.98		
206-19	1-3/16		141	116.7	80.0	13	30	12	40.1	17.9	38.1	15.9		206-19		0.90		
206-20	1-1/4S													206-20				
SSUCFL207		35												SSUC207				
207-20	1-1/4													207-20				
207-21	1-5/16		6-1/8	5-1/8	3-35/64	9/16	1-19/64	1/2	1-3/4	3/4	1.689	0.689	7/16	207-21	SSFL207	2.64		
207-22	1-3/8		155.5	130.2	90.0	14.3	33	13	44.5	19.1	42.9	17.5		207-22		1.22		
207-23	1-7/16													207-23				
SSUCFL208		40												SSUC208				
208-24	1-1/2		6-3/4	5-21/32	3-15/16	9/16	1-27/64	1/2	2-1/64	13/16	1.689	0.748	7/16	208-24	SSFL208	3.59	1.63	
			171.5	143.7	100	14.3	36	13	51.2	21	49.2	19.0						
SSUCFL209		45												SSUC209				
209-26	1-5/8		7-3/64	5-27/32	4-1/4	9/16	1-1/2	19/32	2-3/64	55/64	1.937	0.748	5/8	209-26	SSFL209	4.05		
209-27	1-11/16		179	148.4	108	14.3	38	15	52	21.8	49.2	19.0		209-27		1.84		
209-28	1-3/4													209-28				
SSUCFL210		50												SSUC210				
210-30	1-7/8		7-7/16	6-3/16	4-17/32	19/32	1-17/32	19/32	2-9/64	55/64	2.032	0.748	5/8	210-30	SSFL210	4.75		
210-31	1-15/16		189	157	115	15.1	39	15	54.4	21.8	51.6	19.0		210-31		2.16		
210-32	2S													210-32				



STAINLESS STEEL PILLOW BLOCK - Stainless Steel Insert
SSUCP 200 Series

Solid Base
 Normal Duty
 Set Screw Locking

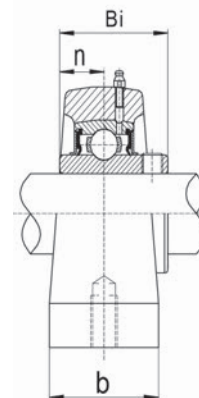
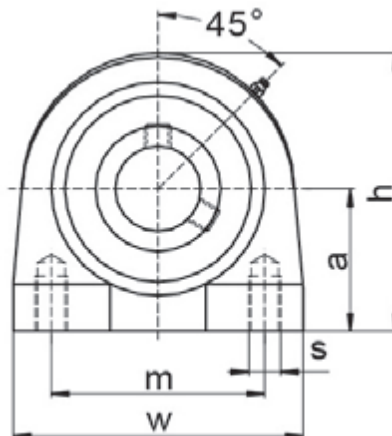


Unit No.	Shaft Dia.		Dimensions Inch / mm										Bolt Size	Bearing No.	Housing No.	Weight Lbs kg		
	In.	mm	h	a	e	b	S1	S2	g	w	Bi	n						
SSUCP201-8	1/2																	
202-10	5/8	20	1-5/16	5	3-3/4	1-1/2	1/2	11/16	9/32	2-9/16	1.221	0.500	3/8	SSUC201-8			1.91	
204			33.3	127	95	38	13.0	17.5	15.1	65.1	31.0	12.7	M10	202-10	SSP204		0.87	
204-12	3/4													204				
														204-12				
SSUCP205		25												SSUC205				
205-14	7/8		1-7/16	5-33/64	4-1/8	1-1/2	1/2	11/16	5/8	2-3/4	1.343	0.563	3/8	205-14	SSP205		2.07	
205-15	15/16		36.5	140.0	105	38	13.0	17.5	16	70.0	34.1	14.3	M10	205-15			0.94	
205-16	1													205-16				
SSUCP206		30												SSUC206				
206-17	1-1/16													206-17				
206-18	1-1/8		1-11/16	6-1/2	4-49/64	1-7/8	5/8	13/16	23/32	3-9/32	1.500	0.626	1/2	206-18	SSP206		3.54	
206-19	1-3/16		42.9	165.0	121	48	17.0	21	18	83	38.1	15.9	M12	206-19			1.61	
206-20	1-1/4S													206-20				
SSUCP207		35												SSUC207				
207-20	1-1/4													207-20				
207-21	1-5/16		1-7/8	6-9/16	5	1-7/8	5/8	7/8	3/4	3-11/16	1.689	0.689	1/2	207-21	SSP207		4.18	
207-22	1-3/8		47.6	167.0	127	48	17.0	22	19	94	42.9	17.5	M12	207-22			1.90	
207-23	1-7/16													207-23				
SSUCP208		40												SSUC208				
208-24	1-1/2		1-15/16	7-1/4	5-15/32	2-1/8	9/16	7/8	3/4	3-15/16	1.689	0.748	1/2	208-24	SSP208		5.41	
			49.2	184.0	137	54	15.0	22	19	100	49.2	19.0	M12				2.46	
SSUCP209		45												SSUC209				
209-26	1-5/8		2-1/8	7-15/32	5-3/4	2-1/8	9/16	13/16	25/32	4-19/64	1.937	0.748	1/2	209-26	SSP209		6.10	
209-27	1-11/16		54.0	190.0	146	54	15.0	21	20	109	49.2	19.0	M12	209-27			2.77	
209-28	1-3/4													209-28				
SSUCP210		50												SSUC210				
210-30	1-7/8		2-1/4	8-1/8	6-1/4	2-23/64	11/16	15/16	7/8	4-1/2	2.032	0.748	5/8	210-30	SSP210		6.99	
210-31	1-15/16		57.2	206.0	159	60	18.0	24	22	114.0	51.6	19.0	M16	210-31			3.18	
210-32	2S													210-32				
SSUCP211		55												SSUC211				
211-32	2		2-1/2	8-17/32	6-7/8	2-3/8	3/4	15/16	7/8	4-15/16	2.189	0.874	5/8	211-32	SSP211		7.40	
			63.5	217.0	174	60	20.0	24	22	125	55.6	22.2	M18				3.35	



STAINLESS STEEL TAP BASE PILLOW BLOCK - Stainless Steel Insert
SSUCA 200 Series

Normal Duty
 Set Screw Locking
 Inch Bolt Holes

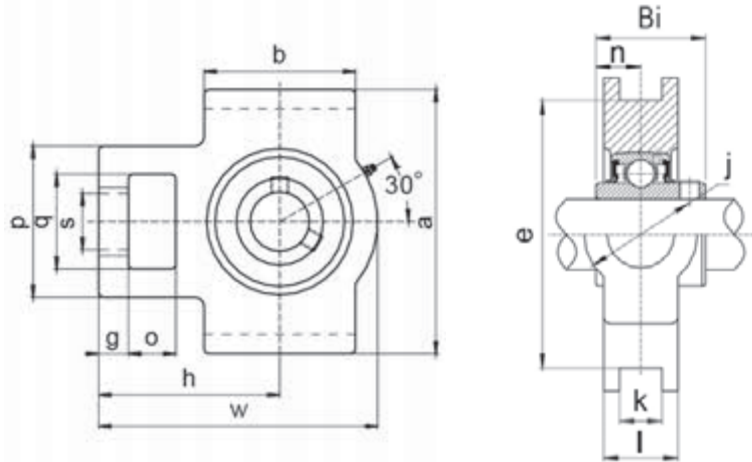


Unit No.	Shaft Dia.		Dimensions inch / mm								Bearing No.	Housing No.	Weight Lbs kg
	In.	mm	a	b	h	m	w	s	Bi	n			
SSUCA201-8	1/2										SSUC201-8		
202-10	5/8		1-5/16	1-1/2	2-9/16	2	2-7/8	3/8-16	1.221	0.500	202-10	SSPA204	1.54
204		20	33.3	38	65	50.8	73		31	12.7	204		0.70
204-12	3/4										204-12		
SSUCA205		25									SSUC205		
205-14	7/8		1-7/16	1-1/2	2-51/64	2	3	3/8-16	1.343	0.563	205-14	SSPA205	1.87
205-15	15/16		36.5	38	71	50.8	76		34.1	14.3	205-15		0.85
205-16	1										205-16		
SSUCA206		30									SSUC206		
206-17	1-1/16										206-17		
206-18	1-1/8		1-11/16	1-1/2	3-25/64	3	4-1/64	7/16-14	1.500	0.826	206-18	SSPA206	2.42
206-19	1-3/16		42.9	38	84	76.2	101		38.1	15.9	206-19		1.10
206-20	1-1/4S										206-20		
SSUCA207		35									SSUC207		
207-20	1-1/4										207-20		
207-21	1-5/16		1-7/8	1-57/64	3-3/4	3-1/4	4-1/4	1/2-13	1.689	0.689	207-21	SSPA207	3.146
207-22	1-3/8		47.6	48	95.0	82.6	108		42.9	17.5	207-22		1.43
207-23	1-7/16										207-23		
SSUCA208		40									SSUC208		
208-24	1-1/2		1-15/16	1-57/64	3-15/16	3-1/2	4-39/64	1/2-13	1.689	0.748	208-24	SSPA208	3.96
			49.2	48	100.5	88.9	120		49.2	19.0			1.80
SSUCA209		45									SSUC209		
209-26	1-5/8		2-1/8	2-1/64	4-1/4	3-3/4	5	1/2-13	1.937	0.748	209-26	SSPA209	5.50
209-27	1-11/16		54.0	51	108	95.3	127		49.2	19.0	209-27		2.50
209-28	1-3/4										209-28		
SSUCA210		50									SSUC210		
210-30	1-7/8		2-1/4	2-1/64	4-39/64	4	5-33/64	5/8-11	2.032	0.748	210-30	SSPA210	6.82
210-31	1-15/16		57.2	51	117	101.6	140		51.6	19.0	210-31		3.10
210-32	2S										210-32		



STAINLESS STEEL TAKE-UP UNIT - Stainless Steel Insert
SSUCT 200 Series

Normal Duty
 Set Screw Locking
 Metric Slot Width



Unit No.	Shaft Dia.		Dimensions inch / mm														Bearing No.	Housing No.	Weight Lbs kg	
	In.	mm	o	g	p	q	s	b	k	e	a	w	l	j	h	Bi				n
SSUCT201-8	1/2																	SSUC201-8		
202-10	5/8		5/8	13/32	2	1-1/4	3/4	2		3	3-1/2	3-11/16	13/16	1-1/4	2-13/32	1.220	0.500	202-10	SST204	2.00
204		20	16	10	51	32	19	51	12	76	89	94	21	32	61	31	12.7	204		0.91
204-12	3/4																	204-12		
SSUCT205		25																SSUC205		
205-14	7/8		5/8	13/32	2	1-1/4	3/4	2		3	3-1/2	3-13/16	15/16	1-1/4	2-7/16	1.343	0.563	205-14	SST205	2.18
205-15	15/16		16	10	51	32	19	51	12	76	89	97	24	32	62	34.1	14.3	205-15		0.99
205-16	1																	205-16		
SSUCT206		30																SSUC206		
206-17	1-1/16																	206-17		
206-18	1-1/8		5/8	13/32	2-7/32	1-29/64	7/8	2-1/4		3-1/2	4-1/64	4-7/16	1-3/32	1-29/64	2-3/4	1.500	0.626	206-18	SST206	3.21
206-19	1-3/16		16	10	56	37	22	57	12	89	102	113	28	37	70	38.1	15.9	206-19		1.46
206-20	1-1/4S																	206-20		
SSUCT207		35																SSUC207		
207-20	1-1/4																	207-20		
207-21	1-5/16		5/8	1/2	2-33/64	1-29/64	7/8	2-33/64		3-1/2	4-1/64	5-5/64	1-3/16	1-29/64	3-5/64	1.689	0.689	207-21	SST207	3.98
207-22	1-3/8		16	13	64	37	22	64	12	89	102	129	30	37	78	42.9	17.5	207-22		1.81
207-23	1-7/16																	207-23		
SSUCT208		40																SSUC208		
208-24	1-1/2		3/4	5/8	3-9/32	1-59/64	1-3/16	3-9/32		4-1/64	4-1/2	5-11/16	1-19/64	1-59/64	3-15/32	1.937	0.748	208-24	SST208	5.90
208-25	1-9/16		19	16	83	49	29	83	16	102	114	144	33	49	88	49.2	19	208-25		2.68
SSUCT209		45																SSUC209		
209-26	1-5/8		3/4	5/8	3-9/32	1-59/64	1-3/16	3-9/32		4-1/64	4-19/32	5-11/16	1-3/8	1-59/64	3-27/64	1.937	0.748	209-26	SST209	6.58
209-27	1-11/16		19	16	83	49	29	83	16	102	117	144	35	49	87	49.2	19	209-27		2.99
209-28	1-3/4																	209-28		
SSUCT210		50																SSUC210		
210-30	1-7/8		3/4	5/8	3-9/32	1-59/64	1-3/16	3-25/64		4-1/64	4-19/32	5-15/16	1-29/64	1-59/64	3-5/32	2.031	0.748	210-30	SST210	6.62
210-31	1-15/16		19	16	83	49	29	86	16	102	117	149	37	49	90	51.6	19	210-31		3.01
210-32	2S																	210-32		

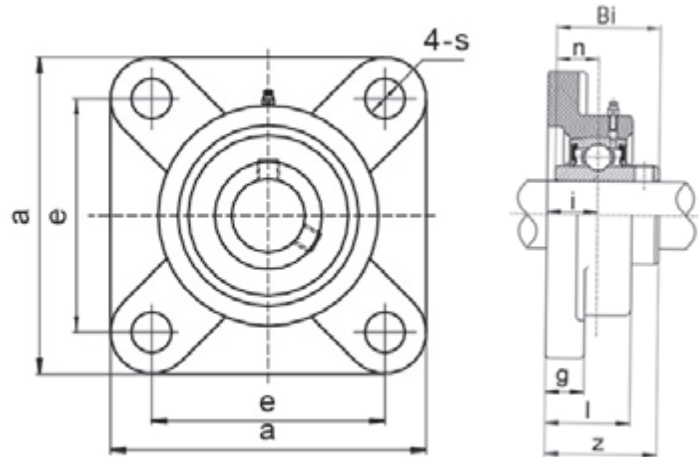


CORROSION RESISTANT PRODUCTS



THERMOPLASTIC FOUR BOLT FLANGE - Stainless Steel Insert SSUCTPF 200 Series

Solid Base
Normal Duty
Set Screw Locking



Unit No.	Shaft Dia.		Dimensions inch / mm									Bolt Size	Bearing No.	Housing No.	Weight Lbs kg
	In.	mm	a	e	g	l	s	z	i	Bi	n				
SSUCTPF201-8	1/2												SSUC201-8		
202-10	5/8		3-3/8	2-1/2	17/32	1-3/32	7/16	1-23/64	41/64	1.221	0.500	3/8	202-10	TPF204	0.66
204		20	86	63.5	13.4	27.8	11	34.6	16.3	31.0	12.7		204		0.30
204-12	3/4												204-12		
SSUCTPF205		25											SSUC205		
205-14	7/8		3-3/4	2-3/4	9/16	1-1/8	7/16	1-7/16	21/32	1.339	0.563	3/8	205-14	TPF205	0.77
205-15	15/16		95	70	14.3	28.5	11	36.7	17	34.0	14.3		205-15		0.35
205-16	1												205-16		
SSUCTPF206		30											SSUC206		
206-17	1-1/16												206-17		
206-18	1-1/8		4-7/32	3-9/32	0.563	1-1/4	7/16	1-5/8	3/4	1.500	0.626	3/8	206-18	TPF206	1.12
206-19	1-3/16		107	83	14.3	31.5	11	41.2	19	38.1	15.9		206-19		0.51
206-20	1-1/4S												206-20		
SSUCTPF207		35											SSUC207		
207-20	1-1/4												207-20		
207-21	1-5/16		4-21/32	3-5/8	39/64	1-23/64	1/2	1-27/32	27/32	1.689	0.689	7/16	207-21	TPF207	1.61
207-22	1-3/8		164	130	15.5	32	13	44.4	19	42.9	17.5		207-22		0.73
207-23	1-7/16												207-23		
SSUCTPF208		40											SSUC208		
208-24	1-1/2		5-1/8	4-1/64	21/32	1-7/16	9/16	2-3/32	29/32	1.689	0.748	1/2	208-24	TPF208	2.22
			130	102	17	36.5	14	53.2	23	49.2	19.0				1.01
SSUCTPF209		45											SSUC209		
209-26	1-5/8		5-15/32	4-1/8	3/4	1-5/8	21/32	2-1/8	15/16	1.937	0.748	1/2	209-26	TPF209	2.60
209-27	1-11/16		137	105	19	41.0	17	54.2	24	49.2	19.0		209-27		1.18
209-28	1-3/4												209-28		
SSUCTPF210		50											SSUC210		
210-30	1-7/8		5-5/8	4-3/8	13/16	1-11/16	21/32	2-17/64	31/32	2.032	0.748	1/2	210-30	TPF210	2.86
210-31	1-15/16		197	157	21.0	43.0	17	57.6	25	51.6	19.0		210-31		1.30
210-32	2S												210-32		

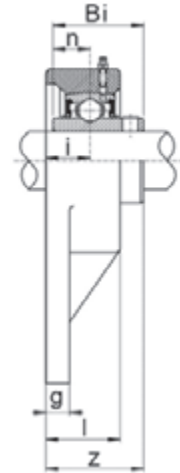
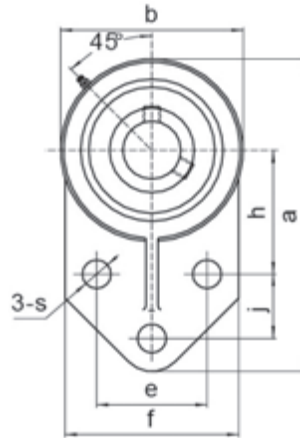


CORROSION RESISTANT PRODUCTS



THERMOPLASTIC FLANGE BRACKET - Stainless Steel Insert SSUCTPFB 200 Series

Normal Duty
Set Screw Locking
Inch Dimension



Unit No.	Shaft Dia.		Dimensions inch / mm													Bolt Size	Bearing No.	Housing No.	Weight Lbs kg	
	In.	mm	a	h	e	j	i	g	l	s	b	f	z	Bi	n					
SSUCTPFB201-8	1/2																	SSUC201-8		
202-10	5/8		4-1/4	1-11/16	1-1/2	7/8	5/8	29/64	1-3/64	27/64	2-1/2	2-7/16	1-11/32	1.220	0.500	5/16	202-10	TPFB204	0.572	
204		20	108	42.9	38.1	22.2	15.9	11.4	26.5	10.7	63.5	62	34.2	31	12.7	M8	204		0.26	
204-12	3/4																204-12			
SSUCTPFB205		25															SSUC205			
205-14	7/8		4-3/4	1-13/16	1-5/8	1-1/8	21/32	29/64	1-7/64	27/64	2-3/4	2-1/2	1-7/16	1.343	0.563	5/16	205-14	TPFB205	0.68	
205-15	15/16		120.6	46	41.3	28.6	16.7	11.4	28	10.7	70	63.5	36.5	34.1	14.3	M8	205-15		0.31	
205-16	1																205-16			
SSUCTPFB206		30															SSUC206			
206-17	1-1/16																206-17			
206-18	1-1/8		5-29/64	2-1/16	1-7/8	1-1/4	47/64	17/32	1-1/4	27/64	3-9/32	3	1-39/64	1.500	0.626	5/16	206-18	TPFB206	1.08	
206-19	1-3/16		138.5	52.4	47.6	31.8	18.6	132.3	32	10.7	83	76	40.8	38.1	15.9	M8	206-19		0.49	
206-20	1-1/4S																206-20			
SSUCTPFB207		35															SSUC207			
207-20	1-1/4																207-20			
207-21	1-5/16		6-3/16	2-3/8	2	1-1/4	13/16	41/64	1-1/4	33/64	3-3/4	3-1/2	1-53/64	1.689	0.689	3/8	207-21	TPFB207	1.56	
207-22	1-3/8		157	60.3	50.8	31.8	21	16.1	32	13.1	95	89	46.4	42.9	17.5	M10	207-22		0.71	
207-23	1-7/16																207-23			

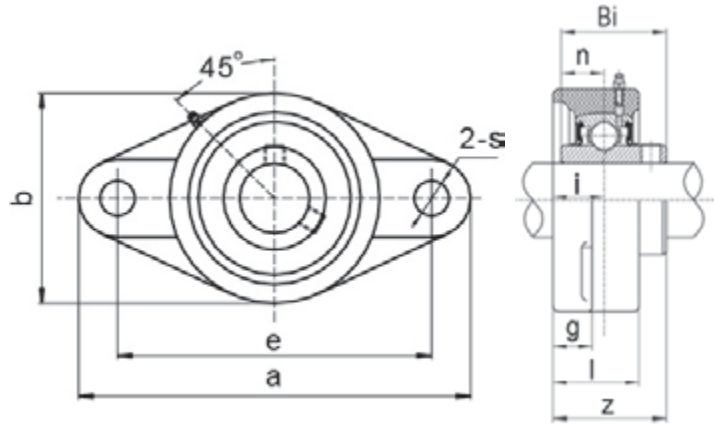


CORROSION RESISTANT PRODUCTS



THERMOPLASTIC TWO BOLT FLANGE - Stainless Steel Insert SSUCTPFL 200 Series

Solid Base
Normal Duty
Set Screw Locking



Unit No.	Shaft Dia.		Dimensions inch / mm										Bolt Size	Bearing No.	Housing No.	Weight Lbs kg
	In.	mm	a	e	b	g	l	s	z	i	Bi	n				
SSUCTPFL201-8 202-10 204 204-12	1/2	20	4-7/16	3-35/64	2-9/16	17/32	1-3/64	7/16	1-5/16	19/32	1.221	0.500	3/8	SSUC201-8	TPFL204	0.57 0.26
	5/8		113	90	65	13.4	26.5	11	33.3	15	31.0	12.7		202-10		
	3/4		131	99	70	14.3	28	11	36.3	16.5	34.1	14.3		204		
	1		148	117	80.0	14.3	30.5	11	40.2	18	38.1	15.9		204-12		
SSUCTPFL205 205-14 205-15 205-16	7/8	25	5-5/32	3-57/64	2-3/4	9/16	1-7/64	7/16	1-27/64	21/32	1.343	0.563	3/8	SSUC205	TPFL205	0.68 0.31
	15/16		131	99	70	14.3	28	11	36.3	16.5	34.1	14.3		205-14		
	1		148	117	80.0	14.3	30.5	11	40.2	18	38.1	15.9		205-15		
	1-1/16		176	144	100	17	35	14	51.7	21.5	49.2	19.0		205-16		
SSUCTPFL206 206-17 206-18 206-19 206-20	1-1/16	30	5-13/16	4-19/32	3-5/32	9/16	1-13/64	7/16	1-37/64	23/32	1.500	0.626	1/2	SSUC206	TPFL206	1.01 0.46
	1-1/8		148	117	80.0	14.3	30.5	11	40.2	18	38.1	15.9		206-17		
	1-3/16		176	144	100	17	35	14	51.7	21.5	49.2	19.0		206-18		
	1-1/4S		189	149	108	21.0	41.0	17	54.2	24	49.2	19.0		206-19		
SSUCTPFL207 207-20 207-21 207-22 207-23	1-1/4	35	6-7/16	5-1/8	3-35/64	39/64	1-17/64	1/2	1-3/4	3/4	1.689	0.689	1/2	SSUC207	TPFL207	1.41 0.64
	1-5/16		164	130	90.0	15.5	32	13	44.4	19	42.9	17.5		207-20		
	1-3/8		176	144	100	17	35	14	51.7	21.5	49.2	19.0		207-21		
	1-7/16		189	149	108	21.0	41.0	17	54.2	24	49.2	19.0		207-22		
SSUCTPFL208 208-24	1-1/2	40	6-15/16	5-11/16	3-15/16	21/32	1-3/8	9/16	2-1/32	27/32	1.689	0.748	1/2	SSUC208	TPFL208	1.91 0.87
	1-1/2		176	144	100	17	35	14	51.7	21.5	49.2	19.0		208-24		
SSUCTPFL209 209-26 209-27 209-28	1-5/8	45	7-7/16	5-7/8	4-1/4	13/16	1-5/8	21/32	2-1/8	15/16	1.937	0.748	1/2	SSUC209	TPFL209	2.24 1.02
	1-11/16		189	149	108	21.0	41.0	17	54.2	24	49.2	19.0		209-26		
	1-3/4		176	144	100	17	35	14	51.7	21.5	49.2	19.0		209-27		
SSUCTPFL210 210-30 210-31 210-32	1-7/8	50	7-3/4	6-3/16	4-17/32	13/16	1-11/16	21/32	2-17/64	31/32	2.032	0.748	5/8	SSUC210	TPFL210	2.50 1.12
	1-15/16		197	157	115	21.0	43.0	17	57.6	25	51.6	19.0		210-30		
	2S		176	144	100	17	35	14	51.7	21.5	49.2	19.0		210-31		

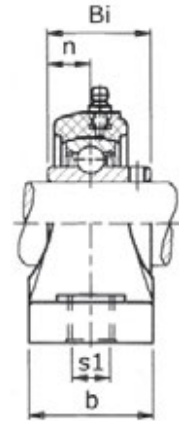
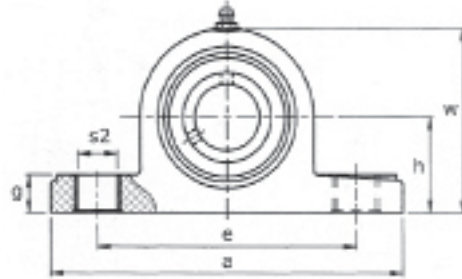


CORROSION RESISTANT PRODUCTS



THERMOPLASTIC PILLOW BLOCK - Stainless Steel Insert SSUCTPP 200 Series

Solid Base
Normal Duty
Set Screw Locking



Unit No.	Shaft Dia.		Dimensions inch / mm										Bolt Size	Bearing No.	Housing No.	Weight Lbs kg		
	In.	mm	h	a	e	b	S1	S2	g	w	Bi	n						
SSUCTPP201-8	1/2																	
202-10	5/8	20	1-5/16	5	3-3/4	1-1/2	7/16	9/16	9/16	2-37/64	1.221	0.500	3/8	SSUC201-8	TPP204	0.68		
204			33.3	127	95	38	11	14	14.2	65.5	31.0	12.7		204		0.31		
204-12	3/4													204-12				
SSUCTPP205		25												SSUC205				
205-14	7/8		1-7/16	5-1/2	4-1/8	1-1/2	7/16	9/16	37/64	2-51/64	1.343	0.563	3/8	205-14	TPP205	0.75		
205-15	15/16		36.5	140.5	105	38	11	14	14.5	71	34.1	14.3		205-15		0.34		
205-16	1													205-16				
SSUCTPP206		30												SSUC206				
206-17	1-1/16													206-17				
206-18	1-1/8		1-11/16	6-13/32	4-11/16	1-13/16	9/16	23/32	45/64	3-5/16	1.500	0.626	1/2	206-18	TPP206	1.25		
206-19	1-3/16		42.9	163.0	119	46	14	18	17.8	84.0	38.1	15.9		206-19		0.57		
206-20	1-1/4S													206-20				
SSUCTPP207		35												SSUC207				
207-20	1-1/4													207-20				
207-21	1-5/16		1-7/8	6-5/8	5	1-7/8	9/16	23/32	23/32	3-23/32	1.689	0.689	1/2	207-21	TPP207	1.65		
207-22	1-3/8		47.6	168.0	127	48	14	18	18.0	94.5	42.9	17.5		207-22		0.75		
207-23	1-7/16													207-23				
SSUCTPP208		40												SSUC208				
208-24	1-1/2		1-15/16	7-1/4	5-25/64	2-1/8	9/16	23/32	49/64	3-31/32	1.689	0.748	1/2	208-24	TPP208	2.20		
			49.2	184.0	137	54	14	18	19.5	101	49.2	19.0				1.00		
SSUCTPP209		45												SSUC209				
209-26	1-5/8		2-1/8	7-9/16	5-3/4	2-1/8	21/32	25/32	29/32	4-11/64	1.937	0.748	1/2	209-26	TPP209	2.58		
209-27	1-11/16		54.0	192.0	146	54	17	20	23.0	106.0	49.2	19.0		209-27		1.17		
209-28	1-3/4													209-28				
SSUCTPP210		50												SSUC210				
210-30	1-7/8		2-1/4	8-1/8	6-1/4	2-3/8	21/32	25/32	29/32	4-1/2	2.032	0.748	5/8	210-30	TPP210	2.80		
210-31	1-15/16		57.2	206.0	159	60	17	20	23.0	114.0	51.6	19.0		210-31		1.28		
210-32	2S													210-32				

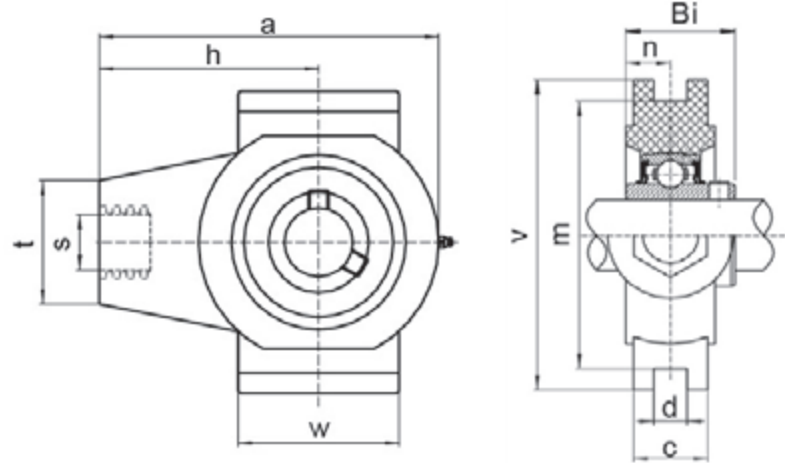


CORROSION RESISTANT PRODUCTS



THERMOPLASTIC TAKE-UP UNIT - Stainless Steel Insert SSUCTPT 200 Series

Normal Duty
Set Screw Locking
Wide Slot Width



Unit No.	Shaft Dia.		Dimensions inch / mm											Bearing No.	Housing No.	Weight Lbs kg
	In.	mm	a	c	d	h	m	t	v	w	Bi	n	s			
SSUCTPT201-8	1/2													SSUC201-8		
202-10	5/8		3-57/64	1-5/64	12	2-33/64	3	1-27/64	3-31/64	1-27/32	1.220	0.500	1/2-13	202-10	TPT204	0.79
204		20	99	27.5		64	76	36	88	47	31.0	12.7	M16	204		0.36
204-12	3/4													204-12		
SSUCTPT205		25												SSUC205		
205-14	7/8		3-57/64	1-5/64	12	2-33/64	3	1-27/64	3-31/64	1-27/32	1.343	0.563	1/2-13	205-14	TPT205	0.81
205-15	15/16		99	27.5		64	76	36	88	47	34.1	14.3	M16	205-15		0.37
205-16	1													205-16		
SSUCTPT206		30												SSUC206		
206-17	1-1/16													206-17		
206-18	1-1/8		4-59/64	1-23/64	12	3	3-1/2	1-37/64	4	2-31/64	1.550	0.626	5/8-11	206-18	TPT206	1.34
206-19	1-3/16		125	34.5		76	89	40	102	63	38.1	15.9	M16	206-19		0.61
206-20	1-1/4S													206-20		
SSUCTPT207		35												SSUC207		
207-20	1-1/4													207-20		
207-21	1-5/16		4-59/64	1-23/64	12	3	3-1/2	1-37/64	4	2-31/64	1.689	0.689	5/8-11	207-21	TPT207	1.65
207-22	1-3/8		125	34.5		76	89	40	102	63	42.9	17.5	M16	207-22		0.75
207-23	1-7/16													207-23		
SSUCTPT208		40												SSUC208		
208-24	1-1/2		5-1/2	1-23/64	16	3-11/32	4	1-37/64	4-15/32	3-5/32	1.937	0.748	5/8-11	208-24	TPT208	2.22
			140	34.5		85	102	40	114	80	49.2	19.0	M16			1.01
SSUCTPT209		45												SSUC209		
209-26	1-5/8		5-7/8	1-37/64	16	3-35/64	4	1-31/32	4-39/64	3-11/32	1.937	0.748	3/4-10	209-26	TPT209	2.57
209-27	1-11/16		149	40		90	102	50	117	85	49.2	19.0	M20	209-27		1.17
209-28	1-3/4													209-28		
SSUCTPT210		50												SSUC210		
210-30	1-7/8		5-7/8	1-37/64	16	3-35/64	4	1-31/32	4-39/64	3-11/32	2.032	0.748	3/4-10	210-30	TPT210	2.82
210-31	1-15/16		149	40		90	102	50	117	85	51.6	19.0	M20	210-31		1.28
210-32	2S													210-32		

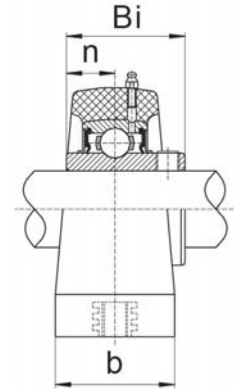
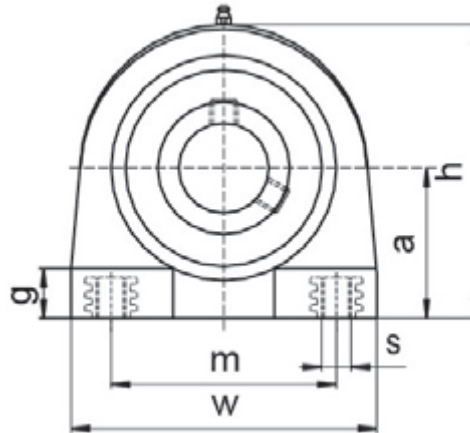


CORROSION RESISTANT PRODUCTS



THERMOPLASTIC TAP BASE PILLOW BLOCK - Stainless Steel Insert SSUCTPTB 200 Series

Normal Duty
Set Screw Locking
Inch Bolt Holes



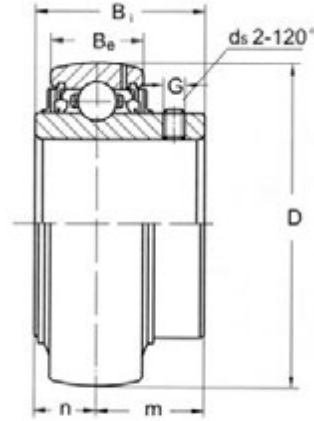
Unit No.	Shaft Dia.		Dimensions inch / mm									Bearing No.	Housing No.	Weight Lbs / kg
	In.	mm	a	b	h	m	w	s	Bi	n	g			
SSUCTPTB201-8 202-10 204 204-12	1/2											SSUC201-8		
	5/8		1-5/16	1.36	2-19/32	2	2-7/8	3/8-16	1.221	0.500	1/2	202-10	TPTB204	0.59
		20	33.3	34.5	66	30.9	72.8		31	12.7	13	204		0.27
SSUCTPTB205 205-14 205-15 205-16		25										SSUC205		
	7/8		1-7/16	1.56	2-57/64	2	3	3/8-16	1.343	0.563	1/2	205-14	TPTB205	0.69
			36.5	39.5	73.5	50.8	76.2		34.1	14.3	13	205-15		0.315
SSUCTPTB206 206-17 206-18 206-19 206-20		30										SSUC206		
	1-1/16											206-17		
			1-11/16	1.67	3-5/16	3	3-31/32	7/16-14	1.500	0.626	5/8	206-18	TPTB206	1.10
SSUCTPTB207 207-20 207-21 207-22 207-23		35										SSUC207		
	1-1/4											207-20		
			1-7/8	1.87	3-3/4	3-1/4	4-11/32	1/2-13	1.689	0.689	23/32	207-21	TPTB207	1.61
SSUCTPTB208 208-24		40										SSUC208		
	1-1/2		1-15/16	1.89	6-61/64	3-1/2	4-23/32	1/2-13	1.689	0.748	25/32	208-24	TPTB208	2.07
			49.2	48.0	100.5	88.9	120		49.2	19.0	20			0.94
SSUCTPTB209 209-26 209-27 209-28		45										SSUC209		
	1-5/8		2-1/8	1-31/32	4-17/64	3-3/4	4-7/8	1/2-13	1.937	0.748	25/32	209-26	TPTB209	2.42
			54.0	50	108.5	95.3	124		49.2	19.0	20	209-27		1.10
SSUCTPTB210 210-30 210-31 210-32		50										SSUC210		
	1-7/8		2-1/4	2-1/8	4-17/32	4	5-5/16	5/8-11	2.032	0.748	7/8	210-30	TPTB210	2.73
			57.2	54	115	101.6	135		51.6	19.0	22	210-31		1.24
	2S											210-32		



WIDE INNER RING BEARINGS



SSUC 200 Series
Normal Duty
Set Screw Locking



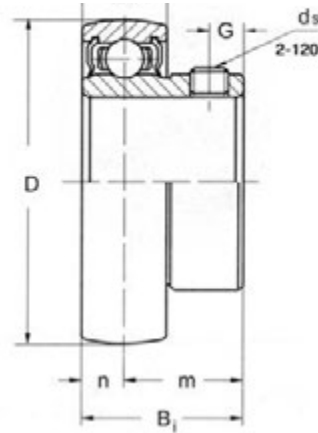
Unit No.	Shaft Dia.		Dimensions inch / mm						Basic load Ratings lbf / N		Weight		
	In.	mm	D	Bi	Be	n	m	G	ds	dynamic C	static Co	kg	Lbs
SSUC 201-8 202-10 204 204-12	1/2	20	1.85039 47	1-1/4 31	5/8 16	1/2 12.7	23/32 18.3	0.197 5	1/4-28UNF M6x1.0	2465 10957	1241 5517	0.21 0.19 0.17 0.18	0.46 0.42 0.37 0.40
	5/8												
	3/4												
	3/4												
SSUC 205	7/8	25	2.04724 52	1-11/32 34	21/32 17	9/16 14.3	25/32 19.7	0.216 5.5	1/4-28UNF M6x1.0	2678 11900	1445 6426	0.20 0.23 0.21 0.20	0.44 0.51 0.46 0.44
	15/16												
	1												
	1												
SSUC 206	1-1/16	30	2.44094 62	1-1/2 38.1	3/4 19	5/8 15.9	7/8 22.2	1/4 6	1/4-28UNF M6x1.0	3732 16584	2134 9486	0.33 0.37 0.33 0.30	0.73 0.81 0.73 0.66
	1-1/8												
	1-3/16												
	1-1/4S												
	1-1/4S												
SSUC 207	1-1/4	35	2.83465 72	1-11/16 42.9	25/32 20	11/16 17.5	1 25.4	0.256 6.5	5-16/24UNF M8x1.0	4905 21794	2933 13031	0.40 0.55 0.52 0.49 0.46	0.88 1.21 1.14 1.08 1.01
	1-5/16												
	1-3/8												
	1-7/16												
	1-7/16												
SSUC 208	1-1/2	40	3.14961 80	1-15/16 49.2	13/16 21	3/4 19	1-3/16 30.2	5/16 8	5-16/24UNF M8x1.0	5525 24557	3273 14544	0.65 0.69 0.67	1.43 1.52 1.47
	1-9/16												
	1-9/16												
SSUC 209	1-5/8	45	3.34646 85	1-15/16 49.2	7/8 22	3/4 19	1-3/16 30.2	5/16 8	5-16/24UNF M8x1.0	6248 27770	3485 15487	0.70 0.80 0.76 0.71	1.54 1.76 1.67 1.56
	1-11/16												
	1-3/4												
	1-3/4												
SSUC 210	1-7/8	50	3.54331 90	2-1/32 51.6	15/16 24	3/4 19	1-9/32 32.6	11/32 9	3/8-24UNF M10x1.25	6715 29844	3987 17714	0.80 0.87 0.82 0.77	1.76 1.91 1.80 1.69
	1-15/16												
	2S												
	2S												
SSUC 211	2	55	3.93701 100	2-3/16 55.6	31/32 25	7/8 22.2	1-5/16 33.4	11/32 9	3/8-24UNF M10x1.25	8288 36831	4973 22100	1.08 1.23	2.38 2.71
	211-32												



NARROW INNER RING BEARINGS



SSSB 200 Series
 Light Duty
 Set Screw Locking

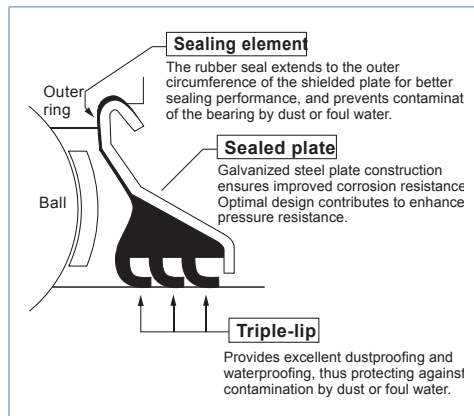


Unit No.	Shaft Dia.		Dimensions inch / mm							Basic load Ratings lbf / N		Weight	
			D	Bi	Be	n	m	G	ds	dynamic C	static Co	kg	Lbs
	In.	mm											
SSSB 202-10	5/8		1.57480 40	7/8 22	15/32 12	1/4 6.0	5/8 16.0	0.157 4	1/4-28UNF M6x1.0	1836 8160	842 3740	0.09	0.20
SSSB 204-12	3/4		1.85039 47	31/32 25	9/16 14	9/32 7.0	23/32 18.0	0.197 5	1/4-28UNF M6x1.0	2465 10957	1241 5517	0.13	0.29
SSSB 205-16	1		2.04724 52	1-1/16 27	19/32 15	0.295 7.5	49/64 19.5	0.216 5.5	1/4-28UNF M6x1.0	2678 11900	1445 6426	0.16	0.35



Triple Lip Seal Black Oxide Bearing Inserts

VECTOREX SERIES



As shown in the picture, the triple lip rubber seal is mounted to a steel flinger guard. The flinger, when crimped into the outer ring's seal groove, protects the seal lips from abrasive contaminants. All three lips contact the outside diameter surface of the ground inner ring. This configuration provides the best protection against contamination available on the market for these types of bearings.

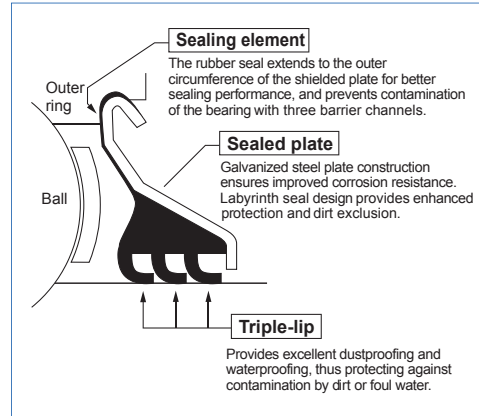
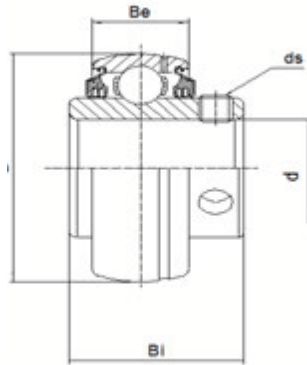
These seals are indicated by suffix R3 and are used on self-aligning bearings of UC type (set screw locking) and HC type (eccentric collar locking). To order these special UC and HC type bearings (when equipped with the triple lip seal and treated in black oxidation) please take note that the part number is followed by the suffix R3BO.





CORROSION RESISTANT PRODUCTS

TRIPLE-LIP SEAL BLACK OXIDE INSERT BEARINGS Dual Set Screw Locking

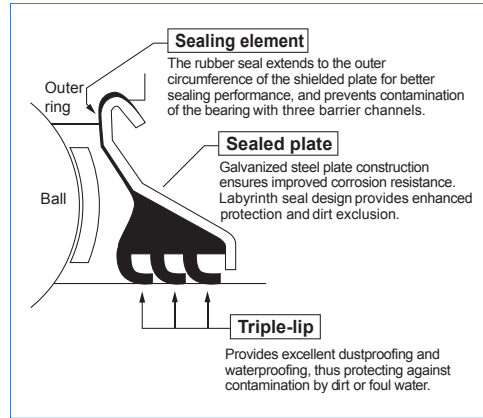
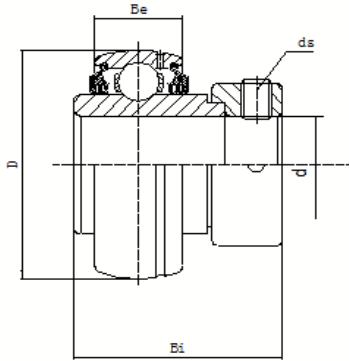


Insert Part No.	Shaft Diameter	Dimensions inch / mm				Basic Load Ratings lbf / N	
	inch	D	Bi	Be	ds	dynamic C	static Co
UC204-12R3BO	3/4	1.85039 47	1-1/4 31	5/8 16	1/4-28unf	2900 12890	1460 6490
UC205-16R3BO	1	2.04724 52	1-11/32 34	21/32 17	1/4-28unf	3150 14000	1700 7560
UC206-19R3BO	1-3/16	2.44094 62	1-1/2 38.1	3/4 19	1/4-28unf	4390 19510	2510 11160
UC206-20R3BO	1-1/4S	2.44094 62	1-1/2 38.1	3/4 19	1/4-28unf	5770 19510	2510 11160
UC207-20R3BO	1-1/4	2.83465 72	1-11/16 42.9	25/32 20	5/16-24unf	5770 25640	3450 15330
UC207-22R3BO	1-3/8	2.83465 72	1-11/16 42.9	25/32 20	5/16-24unf	5770 25640	3450 15330
UC207-23R3BO	1-7/16	2.83465 72	1-11/16 42.9	25/32 20	5/16-24unf	5770 25640	3450 15330
UC208-24R3BO	1-1/2	3.14961 80	1-15/16 49.2	13/16 21	5/16-24unf	6500 28890	3850 17110
UC209-28R3BO	1-3/4	3.34646 85	1-15/16 49.2	7/8 22	5/16-24unf	7350 32670	4100 18220
UC210-31R3BO	1-15/16	3.54331 90	2-1/32 51.6	15/16 24	3/8-24unf	7900 35120	4690 20850
UC210-32R3BO	2S	3.54331 90	2-1/32 51.6	15/16 24	3/8-24unf	7900 35120	4690 20850
UC211-32R3BO	2	3.93701 100	2-3/16 55.6	31/32 25	3/8-24unf	9750 43340	5850 26000
UC211-35R3BO	2-3/16	3.93701 100	2-3/16 55.6	31/32 25	3/8-24unf	9750 43340	5850 26000
UC212-36R3BO	2-1/4	4.33071 110	2-9/16 65.1	1-1/16 27	3/8-24unf	11500 51120	7100 36000
UC212-39R3BO	2-7/16	4.33071 110	2-9/16 65.1	1-1/16 27	3/8-24unf	11500 51120	7100 36000



CORROSION RESISTANT PRODUCTS

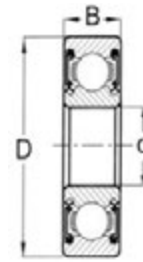
TRIPLE-LIP BLACK OXIDE INSERT BEARINGS Eccentric Collar Locking



Insert Part No.	Shaft Diameter	Dimensions inch / mm					Basic Load Ratings lbf / N	
	inch	D	L	Bi	Be	ds	dynamic C	static Co
HC205-16R3BO	1	2.04724 52	1-3/4 44.3	1-3/8 34.8	21/32 17	1/4-28unf	3150 14000	1700 7560
HC206-19R3BO	1-3/16	2.44094 62	1-29/64 48.3	1-7/16 36.4	3/4 19	1/4-28unf	4390 19510	2510 11160
HC206-20R3BO	1-1/4S	2.44094 62	1-29/64 48.3	1-7/16 36.4	3/4 19	5/16-24unf	4390 19510	2510 11160
HC207-20R3BO	1-1/4	2.83465 72	2-1/64 51.1	1-31/64 37.6	25/32 20	5/16-24unf	5770 25640	3450 15330
HC207-22R3BO	1-3/8	2.83465 72	2-1/64 51.1	1-31/64 37.6	25/32 20	5/16-24unf	5770 25640	3450 15330
HC207-23R3BO	1-7/16	2.83465 72	2-1/64 51.1	1-31/64 37.6	25/32 20	5/16-24unf	5770 25640	3450 15330
HC208-24R3BO	1-1/2	3.14961 80	2-7/32 56.3	1-11/16 42.8	13/16 21	5/16-24unf	6500 28890	3850 17110
HC209-26R3BO	1-5/8	3.34646 85	2-7/32 56.3	1-11/16 42.8	7/8 22	5/16-24unf	7350 32670	4100 18220
HC209-28R3BO	1-3/4	3.34646 85	2-7/32 56.3	1-11/16 42.8	7/8 22	5/16-24unf	7350 32670	4100 18220
HC210-31R3BO	1-15/16	3.54331 90	2-15/32 62.7	1-15/16 49.2	15/16 24	5/16-24unf	7900 35120	4690 20850
HC211-32R3BO	2	3.93701 100	2-13/16 71.4	2-3/16 55.6	31/32 25	3/8-24unf	9750 43340	5850 26000
HC211-35R3BO	2-3/16	3.93701 100	2-13/16 71.4	2-3/16 55.6	31/32 25	3/8-24unf	9750 43340	5850 26000
HC212-39R3BO	2-7/16	4.33071 110	3-1/16 77.7	2-7/16 61.9	1-1/16 27	3/8-24unf	11500 51120	8100 36000
HC215-47R3BO	2-15/16	5.11811 130	3-5/8 92.1	2-15/16 74.6	1-3/16 30	3/8-24unf	14900 66230	11000 48900

440C STAINLESS STEEL BALL BEARINGS - Metric Sizes

Part Number	Boundary Dimensions - mm		
	d	D	B
S608-2RS	8	22	7
S6000-2RS	10	26	8
S6001-2RS	12	28	8
S6002-2RS	15	32	9
S6003-2RS	17	35	10
S6004-2RS	20	42	12
S6005-2RS	25	47	12
S6006-2RS	30	55	13
S6007-2RS	35	62	14
S6008-2RS	40	68	15
S6009-2RS	45	85	16
S6200-2RS	10	30	9
S6201-2RS	12	32	10
S6202-2RS	15	35	11
S6203-2RS	17	40	12
S6204-2RS	20	47	14
S6205-2RS	25	52	15
S6206-2RS	30	62	16
S6207-2RS	35	72	17
S6208-2RS	40	80	18
S6209-2RS	45	85	19
S6210-2RS	50	90	20
S6300-2RS	10	35	11
S6303-2RS	15	47	14
S6304-2RS	20	52	15
S6305-2RS	25	62	17
S6306-2RS	30	72	19
S6307-2RS	35	80	21
S6308-2RS	40	90	23
S6904-2RS	20	37	9
S6905-2RS	25	42	9
S6910-2RS	50	72	12



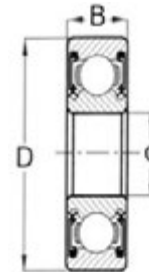
Type -2RS
with double seals

Apply these bearings in a variety of services where they may be subjected to moisture, corrosive and abrasive atmospheres.



440C STAINLESS STEEL BALL BEARINGS - Inch Sizes

Part Number	Boundary Dimensions - Inch		
	d	D	B
SR4-2RS	1/4	5/8	.196
SR6-2RS	3/8	7/8	.281
SR8-2RS	1/2	1-1/8	.312
SR10-2RS	5/8	1-3/8	.344
SR12-2RS	3/4	1-5/8	.437
SR16-2RS	1	2	.500
SR18-2RS	1-1/8	2-1/8	.500
SR20-2RS	1-1/4	2-1/4	.500
SR24-2RS	1-1/2	2-5/8	.563
Part Number	Boundary Dimensions - Inch		
	d	D	B
S1601-2RS	3/16	11/16	.313
S1603-2RS	5/16	7/8	.344
S1614-2RS	3/8	1-1/8	.375
SK11621-2RS	1/2	1-3/8	.438
S1640-2RS	7/8	2	.563
SK11641-2RS	1	2	.563



Type -2RS
with double seals

Apply these bearings in a variety of services where they may be subjected to moisture, corrosive and abrasive atmospheres.

Typical examples include:

- * Food Packaging Plants
- * Beverage, Brewing, Bottling Plants
- * Meat, Poultry, Seafood Processing Plants
- * Dairy Industry Plants
- * Sugar Processing Plants
- * Drug and Pharmaceutical Plants
- * Chemical Processing Plants
- * Rubber and Plastics Plants
- * Pulp and Paper Mills
- * Marine and Naval Applications
- * Car and Truck Washes
- * Refrigeration and Freezer Plants
- * Agricultural Harvesting Machinery
- * Municipal Treatment Equipment
- * A Broad Range of Material Handling Services



PROCESS SOLUTIONS

KML Bearing USA
Process Solutions





KML K-Poly™ High Performance Solid Polymer Lubricant

**Solid Lubricated Bearings offer a true Lube-for-Life Solution!
Maintenance-Free, Grease-Free Bearings**

If you need **USDA H1** approved lubricants, ***K-Poly™ Food Grade Formula Solid Lubricated Bearings*** are your answer. The superior solid lubricant combines a micro-porous polymer with food grade synthetic oils. The solid polymer encapsulates the oils while blocking out contaminants significantly extending bearing life. The polymer releases the correct amount of lubricating oil to the bearing while operating, but does not leak or drip past the seals.

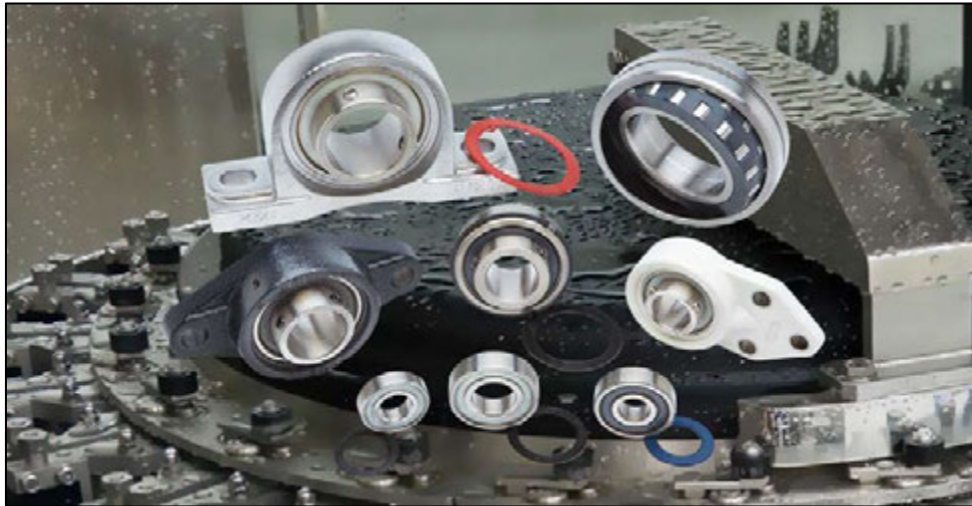


In many KML bearing styles the original seals and/or flingers are reinstalled after the solid lube is cured in the ball cavity. This extra sealing protection helps increase the service life of the bearing. It is not uncommon to double or triple the operating life of the bearing in the original application due to the superior performance of the solid lubricant coupled with labyrinth sealing systems.



KML K-Poly™ High Performance Solid Polymer Lubricant

KML K-Poly™ High Performance Solid Polymer Bearings were developed for superior performance in extreme environments.



KML K-Poly™ Solid Lubricant is a Micro-porous Polymer that is formulated with high performance synthetic lubricating oils, extreme pressure additives and corrosion inhibitors. The oils are tailored to the environment where the bearing is operating. Optional formulas add friction modifiers that reduce start up torque, and extend high and/or low temperature ranges. The K-Poly™ micro structure releases the oil as the bearing warms to operating temperature. Through capillary action the oil is reabsorbed after the bearing stops operation, eliminating weeping and unwanted dripping. K-Poly™ is specially formulated as an H-1 grade lubricant in Food Service and Sanitary applications.

In most bearing types the original seals and/or flingers are reinstalled after the solid lubricant is completed. This extra barrier protection helps increase the service life of the bearing. The addition of the K-Poly Solid Lubricant provides a Lube-for-Life solution for many difficult applications.

KML K-Poly™ Solid Lubricant can be installed in the following KML Bearing types:

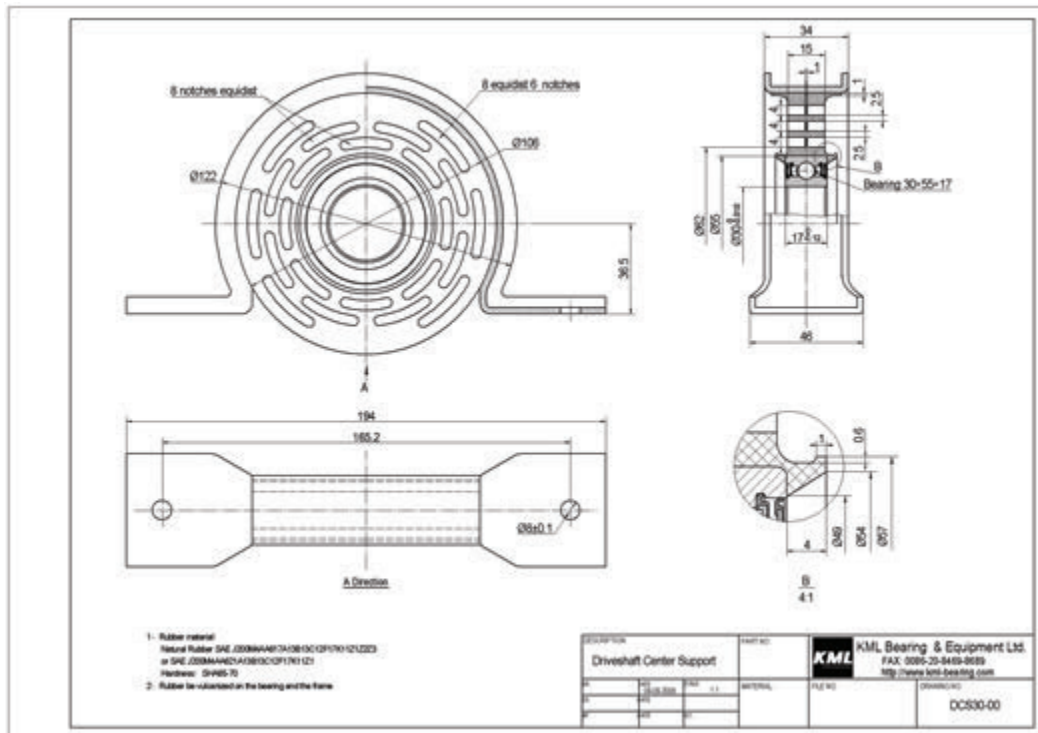
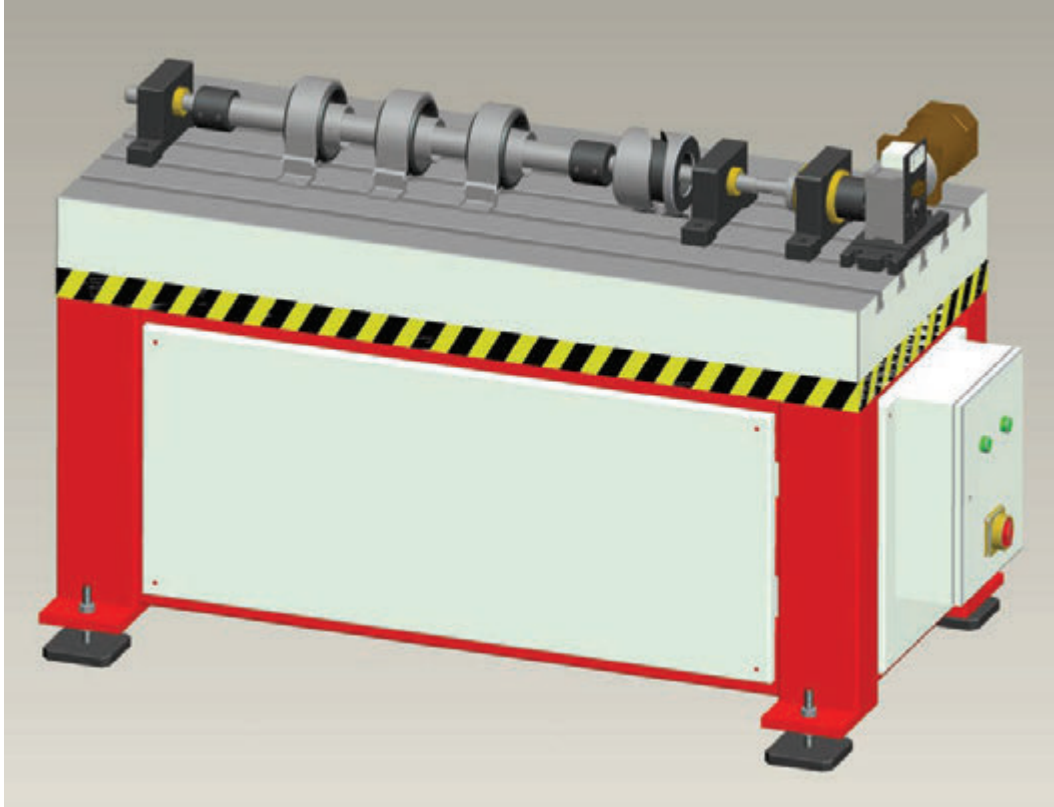
- | | |
|--|---|
| <ul style="list-style-type: none">• Radial Ball Bearings with seals• Wide Inner Ring Mounted Bearing Units• SER type snap ring bearing inserts | <ul style="list-style-type: none">• H-1 Stainless Steel Ball Bearings with seals• H-1 Stainless Steel Mounted Bearing Units• Certain Roller Bearing designs |
|--|---|



KML K-Poly™ Solid Lubricant Technical Information

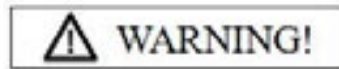
- K-Poly Solid Polymer Lubricant eliminates the need to grease the bearing. A true Lube-for-Life option that can eliminate costly lubrication intervals or eliminate central lubrication systems.
- K-Poly Solid Polymer Lubricant is available H-1 Food Grade and Sanitary Equipment Design compatible.
- K-Poly Polymer Solid Lubricant blocks out contaminants that can cause premature bearing failure.
- K-Poly retains oil in the solid polymer matrix eliminating the need for re-lubrication. The encapsulated synthetic oil prevents liquid weeping at temperature extremes.
- K-Poly reduces internal friction which reduces start-up torque even at low temperature conditions where normal lubrication becomes stiff or solidifies.
- K-Poly Low Temperature Performance to -65°F (-54°C).
- K-Poly High Temperature Performance to 350°F (177°C).
- K-Poly Solid Polymer Lubricant contains Extreme Pressure Additives and Friction Modifiers for superior bearing performance and increased bearing life.

<i>KML</i> K-Poly™ Product	Product Formula Description	Food Production Formula	Industrial Application Formula	Extreme Wash- Down	Operating Temperature		Extreme Pressure Additives	Low Friction Additive
					Low	High		
K-Poly FGCT	Food Service Grade Cryogenic Freezing Solid Lubricant	X		X	-65°F	275°F	X	
K-Poly FGHT	Food Service Grade High Temperature Solid Lubricant	X		X	-25°F	350°F	X	X
K-Poly FGLT	Food Service Grade Low Temperature Solid Lubricant	X		X	-55°F	200°F	X	
K-Poly IGHT	Industrial Grade High Temperature Solid Lubricant		X		-25°F	350°F	X	X
K-Poly IGSL	Industrial Grade Solid Lubricant		X		-40°F	200°F	X	
K-Poly IGWT	Industrial Grade Wide Temperature Range Solid Lubricant		X		-55°F	215°F	X	X



WARNINGS and CAUTIONS

IMPORTANT INFORMATION! PLEASE READ CAREFULLY.



The following 'WARNING!' and 'CAUTION!' information is supplied to you for your protection and to provide trouble-free and safe operation of your KML Bearing USA mounted bearing units and other bearing products. The information provided is general in nature and in keeping with good bearing maintenance and operation practices. This information should not be interpreted to replace or supersede specific recommendations and operating instructions provided by Original Equipment Manufacturers relating to their equipment.

Read all instructions prior to operating any power transmission equipment. Injury to personnel or equipment may be caused by improper installation, maintenance or operation.



- Check to make sure the application does not exceed the allowable load capacities published in the KML Bearing USA catalog for the applicable bearing product.
- Buyer shall be solely responsible for determining the adequacy of the product for any and all uses to which Buyer shall apply the product. The application by Buyer shall not be subject to any implied warranty of fitness for a particular purpose.
- Buyer or user shall provide protective guards over all shaft extensions and any moving apparatus mounted thereon. The user is responsible for checking all applicable safety codes in his area and providing suitable guards. Failure to do so may result in bodily injury and/or damage to equipment.
- Bearings generate heat. Hot machinery and bearings can cause severe burns. Use extreme caution when servicing or lubricating equipment.
- Make certain that the power supply is disconnected before attempting to service or lubricate any components. Lock out the power supply and tag it to prevent unexpected application of power.
- The bearing or bearing unit housing should not be used for lifting other associated attachments, equipment or motors.
- Overhung loads subject shaft bearings and shafts to stress which may cause premature bearing failure and/or shaft breakage from bending fatigue, if not sized correctly.



- Test run the bearing unit to verify operation. If the power transmission equipment tested is a prototype, the bearing unit must be checked for vibration and operating temperature.
- If the bearing unit cannot be located in a clear and dry area with access to adequate cooling air supply, then precautions must be taken to avoid the ingestion of contaminants such as water and the reduction in cooling ability due to exterior contaminants.
- Mounting bolts should be routinely checked to insure that the bearing unit is firmly anchored for satisfactory operation.

WARNINGS and CAUTIONS

General Installation & Lubrication Instructions



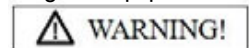
IMPORTANT DESIGN INFORMATION

The system of connected rotating parts must be free from critical speed, torsional, or other type vibration, regardless of how induced. The responsibility for this system analysis lies with the purchaser of the bearing units.

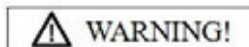


SHIELD ALL ROTATING PARTS

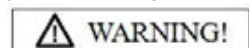
For safety purposes, purchaser or user must provide protective guards over all shaft extensions and any moving apparatus mounted on the unit. The user is responsible for checking and complying with all applicable safety codes in his area and providing suitable guards. Failure to do so may result in bodily injury and/ or damage to equipment.



Wear protective clothing and eye shields when installing or maintaining bearing unit and machine.



A bearing unit cannot be used as an integral part of a machine superstructure which would impose additional loads on the unit other than those imposed by the torque being transmitted, or by any shaft mounted power transmitting device such as sprockets, pulleys, or couplings.



Make sure that all tools and other items are clear from rotating parts before starting machine. Stand clear, and start machine slowly to be sure all components are secure and operating properly.



For safe operation and to continue the bearing unit warranty, when installing or reinstalling a fastener for servicing purposes, or accommodate the mounting of guards, shields or other light load imposing devices, or for mounting the bearing unit, it becomes the responsibility of the purchaser or user to properly determine the quality, grade of fastener, thread

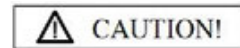
engagement, load carrying capacity, tightening torque, and the means of torque retention.

COUPLINGS

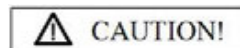
Flexible couplings are recommended because they minimize bearing wear caused by excessive misalignment. Follow coupling manufacturer's recommendations for installation and shielding.

SHEAVES AND SPROCKETS

When mounting sheaves or sprockets, the center of the load should be located as close to the bearing unit as possible. Excessive overhung loading could result in early failures of bearing or shaft. Refer to the general catalog or contact your local distributor for bearing load ratings. Follow manufacturer's recommendations for installation and shielding.



All KML Bearing USA mounted bearing units are prelubricated with grease at the factory. Do not over grease or under grease, or injury to personnel, bearing units, or other equipment may result.



Grease should be added with greater frequency if unit is used in as severe environment such as dusty or humid or high or low temperatures.



Do not mix different grease types in the bearing units. Grease compatibility should be determined before addition of new lubricant.



If bearing unit is used in the food or pharmaceutical industry (including animal food) consult the petroleum supplier of KML Bearing USA for lubricants which meet the specifications of FDA, USDA or the FSMA Act and/or other bodies having jurisdiction.



WARNINGS and CAUTIONS

Mounted Bearing Unit Installation & Lubrication Instructions

MOUNTING PROCEDURES



Proper mounting of ball bearing units is critical to satisfactory bearing performance. Failure to follow accepted mounting practice may result in poor performance and short bearing life. Good engineering and design practice does not recommend the application of more than two bearings to support any shaft. Where more than two bearings are used to support the same shaft, it is possible to induce heavy bearing overloads. In these cases extreme care must be taken to line up bearings in both the vertical and horizontal planes. When the recommended two bearing support designs are used, alignment is not as critical. KML Bearing USA self-aligning mounted bearing units will compensate for minor differences in mounting structure and gradual changes due to the settling of foundations or equipment. Misalignment up to 1.5° is acceptable.



For the best results use turned and ground shafting, free from imperfections and burrs. If previously used shafting is used, dress the shaft with a flat file and emery cloth. Mount the bearing unit in smooth unworn area, if possible. For maximum bearing life, close fit on the mating shaft should be used. The following reference tables provide Shaft Tolerances and Bearing Bore Tolerances.

Shaft Tolerances	
Shaft Diameter	Shaft Tolerance
1/2" - 1-15/16"	Plus 0.000" to minus 0.0005"
2" - 3"	Plus 0.000" to minus 0.001"

Bearing Bore Tolerances	
Bore Diameter	Bore Tolerance
1/2" - 5/8"	Plus 0.0008" to minus 0.000"
3/4" - 1-15/16"	Plus 0.0009" to minus 0.000"
2" - 3"	Plus 0.0012" to minus 0.000"

Prior to mounting on shaft, clean mounting area, shaft and bearing bore. Coat the shaft with a small

amount of oil. Clean the mounting surface and make sure it is flat.

Installation of Mounted Bearing Units (Set Screw and Eccentric Collar)

- Slide the bearing unit onto the shaft. For Eccentric Lock Bearings, if the shaft attaching side of the bearing is to be mounted toward the machine, put the locking collar on the shaft first. The eccentric locking collar should be opposed to any thrust load.
- Do not hammer on the bearing races during installation. If it is necessary to apply force in mounting, use a soft metal bar or pipe against the inner race only. Tap the bearing unit into place.
- It may be necessary to use shims to avoid shaft deflection and excessive misalignment. Bolt the bearing securely to the support, by tightening cap screws alternately until tight.

Set Screw Locking Bearings: Align the setscrews on the two bearing units, and tighten setscrews alternately until tight.

Eccentric Collar Locking Bearings: Engage the eccentric locking collar on the inner race. Turn the collar in the direction of the shaft rotation. Tighten the locking collar securely, using a spanner wrench, setscrew wrench, punch, or drift. Tighten the setscrew against the shaft.



Refer to the following Setscrew Tightening Torque chart.

Set Screw Tightening Torque 52100 Bearing Steel	
Set Screw Size	Torque - In-Lbs.
#10-32 UNF	30
1/4"-28 UNF	66
5/16"-24 UNF	130
3/8"-24 UNF	230
7/16"-20 UNF	305



WARNINGS and CAUTIONS

Mounted Bearing Unit Installation & Lubrication Instructions

LUBRICATION PROCEDURES

Cast Iron & Pressed Steel Lubrication



The proper lubrication of ball bearing units is critical in order to attain the maximum bearing life expectancy. All KML Bearing USA bearing units are lubricated at the factory. Non-lube bearings have no grease fitting or have a plugged housing and should not be lubricated. Relube bearings are equipped with a lubrication fitting and should be lubricated periodically when used in wet or dirty applications. The amount and type of lubricant used will affect bearing life. Lack of lubricant can lead to premature surface fatigue failure of the balls and/or races. Over lubrication can damage seals and result in premature failure from contamination due to the inability of damaged seals to keep foreign material out of the bearing. Under normal operating conditions, there is no need to lubricate the bearings.

The following chart provides a general guide for lubrication. Operator experience is invaluable in determining the best lubrication program for the specific application.

Lubrication Cycles		
Operating Conditions	Bearing Temperatures	Grease Interval
Clean	32°F to 120°F	6 - 12 months
	120°F to 150°F	1 - 3 months
	150°F to 200°F	2 - 4 weeks
Dirty	32°F to 150°F	2 - 4 weeks
	150°F to 200°F	Daily to 1 week
Wet	32°F to 200°F	Daily to 1 week

Recommended Lubricants

Chevron SRI#2, Mobil Beacon 325, Mobil Polyrex™ EM, Shell Alania#2, or equivalent NLGI#2 Multi-Purpose Lithium Grease.



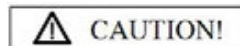
When lubricating bearings add grease in small amounts until the first sign of grease appears at the

seals. This indicates the bearing has sufficient grease for that lubrication interval.

Bearings should not run in steady operation over 200° F and should not exceed 225°F for intermittent duty cycles.

For unusual lubrication requirements or severe duty applications, contact KML Bearing USA for recommendations or alternate lubricant options.

Platinum Series Corrosion Resistant Stainless Steel and Thermoplastic Mounted Bearing Unit Installation & Lubrication Instructions



If bearing unit is used in the food or pharmaceutical industry consult KML Bearing USA for lubricants which meet the specifications of FDA, USDA or the FSMA Act and/or other bodies having jurisdiction. The proper lubrication of Platinum Series Corrosion Resistant H-1 Ball Bearing Units is critical in order to achieve maximum bearing life expectancy. All KML Bearing Platinum Series Corrosion Resistant Bearing Units are factory lubricated with Mobil FM222 H-1 Food Grade Synthetic Lubricant approved for incidental contact with food.

Non-lube bearing units have no grease fitting or are plugged. These units should not be lubricated as they may be specified with special grease or be equipped with KML K-Poly™ Solid Polymer Lubricants. Relube Platinum Series Corrosion Resistant Bearing Units are equipped with a lubrication fitting and should be periodically lubricated when used in wet or dirty application conditions. When lubricating Platinum Series Corrosion Resistant Bearing Units use only an H-1 grease that is approved for incidental contact with food. The amount and type of lubricant used will affect bearing performance and life expectancy. Lack of lubrication can lead to premature surface fatigue failures of balls and /or races. Over lubrication can damage seals and result in premature failure from contamination due to the inability of damaged seals to keep foreign material out of the bearing.



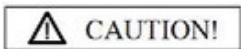
WARNINGS and CAUTIONS

Mounted Bearing Unit Installation & Lubrication Instructions

Platinum Series Corrosion Resistant Stainless Steel and Thermoplastic Mounted Bearing Unit Installation & Lubrication Instructions

Recommended H-1 Lubricant or equivalent

Mobil FM222, Chevron FM ALP EP2



When lubricating Platinum Series Corrosion Resistant Bearings add approved H-1 food grade grease in small amounts until the first sign of grease appears at the seals. This indicates the bearing has sufficient grease for that lubrication interval.

Bearings should not run in steady operation over 200° F and should not exceed 225°F for intermittent duty cycles.

For unusual Corrosion Resistant, Food Service or other sanitary application requirements or severe duty applications, contact KML Bearing USA for recommendations or alternate lubricant options.

The following chart provides a general guide for lubrication intervals. Operator experience is invaluable in determining the best lubrication program for the specific application. This is especially important in food processing and sanitary applications where excess grease purge during operation and cleaning cycles is not acceptable.

Lubrication Cycles		
Operating Conditions	Bearing Temperatures	Grease Interval
Clean	32°F to 120°F	32°F to 200°F
	120°F to 150°F	1 - 3 months
	150°F to 200°F	2 - 4 weeks
Dirty	32°F to 150°F	2 - 4 weeks
	150°F to 200°F	Daily to 1 week
Wet	32°F to 200°F	Daily to 1 week

Platinum Series Corrosion Resistant Mounted Bearing Unit Mounting Instructions

Installation of Stainless Steel Mounted Bearing Units

1. Slide the bearing unit onto the shaft.
2. Do not hammer on the bearing races during installation. If it is necessary to apply force in mounting, use a soft metal bar or pipe against the inner race only. Tap the bearing unit into place.
3. It may be necessary to use shims to avoid shaft deflection and excessive misalignment. Bolt the bearing securely to the support by tightening cap screws alternately until tight.

Set Screw Locking Bearings: Align the setscrews on the two bearing units, and tighten setscrews alternately until tight.



Refer to the following Platinum Series Stainless Steel Setscrew Tightening Torque Chart.

Set Screw Tightening Torque 440C Stainless Steel Bearing	
Set Screw Size	3/8"-24 UNF
1/4"-28 UNF	55
5/16"-24 UNF	110
3/8"-24 UNF	205

BEARING INTERNAL CLEARANCE

■ Radial internal clearance of deep groove ball bearings

Under zero measuring load Unit : μm

bore diameter d(mm)		C2		Normal		C3		C4		C5	
over	incl.	min	max	min	max	min	max	min	max	min	max
2.5	10	0	7	2	13	8	23	14	29	20	37
10	18	0	9	3	18	11	25	18	33	25	45
18	24	0	10	5	20	13	28	20	36	28	48
24	30	1	11	5	20	13	28	23	41	30	53
30	40	1	11	6	20	15	33	28	46	40	64
40	50	1	11	6	23	18	36	30	51	45	73
50	65	1	15	8	28	23	43	38	61	55	90
65	80	1	15	10	30	25	51	46	71	65	105
80	100	1	18	12	36	30	58	53	84	75	120
100	120	2	20	15	41	36	66	61	97	90	140
120	140	2	23	18	48	41	81	71	114	105	160
140	160	2	23	18	53	46	91	81	130	120	180
160	180	2	25	20	61	53	102	91	147	135	200
180	200	2	30	25	71	63	117	107	163	150	230
200	225	4	32	28	82	73	132	120	187	175	255

■ Radial internal clearance of deep groove ball bearings based on measure load

Bore diameter d (mm)		Measuring load N (kg)	Radial clearance increase (μm)		
over	incl.		C2	C0	C3, C4, C5
10	18	24.5(2.5)	3-4	4	4
18	50	49 (5)	4-5	5	6
50	200	147 (15)	6-8	8	9

■ Radial internal clearance of bearings for electric motor

Unit : μm

Bore diameter d (mm)		Radial internal clearance CM			
over	incl.	Deep groove ball bearings		Cylindrical roller bearing	
		min	max	min	max
10	18	4	11	-	-
18	24	5	12	-	-
24	30	5	12	15	30
30	40	9	13	15	30
40	50	9	17	20	35
50	65	12	22	25	40
65	80	12	22	30	45
80	100	18	30	35	55
100	120	18	30	35	60

■ Radial internal clearance of self-aligning ball bearings

Unit : μm

Bore diameter d(mm)		C2		Normal		C3		C4	
over	incl.	min	max	min	max	min	max	min	max
Bearings with cylindrical bore									
2.5	6	1	8	5	15	10	20	15	25
6	10	2	9	6	17	12	25	19	33
10	14	2	10	6	19	13	26	21	35
14	18	3	12	8	21	15	20	23	37
18	24	4	14	10	23	17	30	25	39
24	30	5	16	11	24	19	35	29	46
30	40	6	18	13	29	23	40	34	53
40	50	6	19	14	31	25	44	37	57
50	65	7	21	16	36	30	50	45	69
65	80	8	24	18	40	35	60	54	83
80	100	9	27	22	48	42	70	64	96
Bearings with tapered bore									
18	24	7	17	13	26	20	33	28	42
24	30	9	20	15	28	23	39	33	50
30	40	12	24	19	35	29	46	40	59
40	50	14	27	22	39	33	52	45	65
50	65	18	32	27	47	41	61	56	80
65	80	23	39	35	57	50	75	69	98
80	100	29	47	42	68	62	90	84	116

■ Radial internal clearance of magneto ball bearing

Unit : μm

Bore diameter d(mm)		C2		Normal	
over	incl.	min	max	min	max
2.5	10	10	40	20	50
10	30	20	50	30	60

■ Radial internal clearance of miniature ball bearing

Unit : μm

Clearance symbols	Radial clearance	
	min	max
M1	0	5
M2	3	8
M3	5	10
M4	8	13
M5	13	20
M6	20	28



ENGINEERING

BEARING TOLERANCE

Tolerance Symbols

Δd_{mp} : Single plane mean bore diameter deviation	ΔD_{mp} : Single plane mean outside diameter deviation
Δd_s : Deviation of single bore diameter	ΔD_s : Deviation of a single outside diameter
V_{dp} : Bore diameter variation in a single radial plane	V_{dp} : Outside diameter variation in a single radial plane
V_{dmp} : Mean bore diameter variation	V_{Dmp} : Mean outside diameter variation
K_{ia} : Radial runout of assembled bearing inner ring	K_{ea} : Radial runout of assembled bearing outer ring
S_{ia} : Side face runout with reference to raceway of assembled bearing inner ring	S_{ea} : Side face runout with reference to raceway of assembled bearing outer ring
S_d : Side face runout with reference to bore of inner ring	S_D : Variation in inclination of outside cylindrical surface to outer ring side face
ΔB_s : Deviation of a single width of the inner ring	ΔC_s : Deviation of a single width of the outer ring
V_{Bs} : Inner ring width variation	V_{Cs} : Outer ring width variation

■ Class 0 tolerances for radial bearings (except tapered roller bearings)

Inner ring

Unit : μm

d (mm)		Δd_{mp}		V _{dp} Diameter Series			V _{dmp}	ΔB_s		ΔB_{1s}		V _{BS}	K _{ia}
				8,9	0,1	2, 3, 4		high	low	high	low		
over	incl.	high	low	max	max	max	max	high	low	high	low	max	max
2.5	10	0	-8	10	8	6	6	0	-120	0	-250	15	10
10	18	0	-8	10	8	6	6	0	-120	0	-250	20	10
18	30	0	-10	13	10	8	8	0	-120	0	-250	20	13
30	50	0	-12	15	12	9	9	0	-120	0	-250	20	15
50	80	0	-15	19	19	11	11	0	-150	0	-380	25	20
80	120	0	-20	25	25	15	15	0	-200	0	-380	25	25
120	180		-25	31	31	19	19	0	-250	0	-500	30	30
180	250	0	-30	38	38	23	23	0	-300	0	-500	30	40
250	315	0	-35	44	44	26	26	0	-350	0	-500	35	50

Outer ring

Unit : μm

D (mm)		ΔD_{mp}		V _{dp} Diameter Series			Bearings with shields or seals	V _{Dmp}	ΔC_s ΔC_{1s} V _{cs}			K _{ea}
				8,9	0,1	2, 3, 4			max	max	max	
over	incl.	high	low	max	max	max	max	max	max	max	max	max
6	18	0	-8	10	8	6	10	6				15
18	30	0	-9	12	9	7	12	7				15
30	50	0	-11	14	11	8	16	8				20
50	80	0	-13	16	13	10	20	10				25
80	120	0	-15	19	19	11	26	11				35
120	150	0	-18	23	23	14	30	14				40
150	180	0	-25	31	31	19	38	19				45
180	250	0	-30	38	38	23	-	23				50
250	315	0	-35	44	44	26	-	26				60
315	400	0	-40	50	50	30	-	30				70

Values are identical to those for inner ring of same bearing.
(ΔB_s ΔB_{1s} V_{BS})



ENGINEERING

BEARING TOLERANCE

Tolerances for Tapered Roller Bearings (METRIC SIZE) Inner Ring and Bearing Width

unit : μm

d (mm)		Δdmp		Vdp	Vdmp	$\Delta\text{B s}$		Kia	$\Delta\text{T s}$		$\Delta\text{T 1s}$		$\Delta\text{T 2s}$	
over	incl.	high	low	max	max	high	low	max	high	low	high	low	high	low
18	30	0	-12	12	9	0	-120	18	+200	0	+100	0	+100	0
30	50	0	-12	12	9	0	-120	20	+200	0	+100	0	+100	0
50	80	0	-15	15	11	0	-150	25	+200	0	+100	0	+100	0
80	120	0	-20	20	15	0	-200	30	+200	-200	+100	-100	+100	-100

Tolerances for Tapered Roller Bearings (METRIC SIZE) Outer Ring and Bearing Width

unit : μm

D (mm)		$\Delta\text{D mp}$		VDP	VDmp	$\Delta\text{C s}$	Kea
over	incl.	high	low	max	max		max
30	50	0	-14	14	11	Values are identical to those for inner ring of same bearing ($\Delta\text{B s}$)	20
50	80	0	-16	16	12		25
80	120	0	-18	18	14		35
120	150	0	-20	20	15		40
150	180	0	-25	25	19		45

Tolerances for Tapered Roller Bearings (INCH SIZE) Inner Ring and Bearing Width

unit : μm

d (mm)		$\Delta\text{d s}$		$\Delta\text{T s}$	
over	incl.	high	low	high	low
-	76.2	+13	0	+203	0
76.2	101.6	+25	0	+356	-254
101.6	266.7	+25	0	+356	-254

Tolerances for Tapered Roller Bearings (INCH SIZE) Outer Ring and Bearing Width

unit : μm

D (mm)		$\Delta\text{D s}$		Kia1 Ksa1 Sia Sea
over	incl.	high	low	max
-	266.7	+25	0	51
266.7	304.8	+25	0	51
304.8	609.6	+51	0	51



ENGINEERING

BEARING TOLERANCE

Tolerances for Thrust Bearings

Shaft washer

Unit : μm

d (mm)		Tolerance class			Tolerance class			Bearing high ΔT_s	
		0, 6, 5			0	6	5		
over	incl.	Δd_{mp}		Vdp	Si	Si	Si	high	low
		high	low	max	max	max	max		
-	18	0	-8	6	10	5	3	+20	-250
18	30	0	-10	8	10	5	3	+20	-250
30	50	0	-12	9	10	6	3	+20	-300
50	80	0	-15	11	10	7	4	-	-
80	120	0	-20	15	15	8	4	+25	-300
120	180	0	-25	19	15	9	5	+25	-400

Housing washer

Unit : μm

D (mm)		Tolerance class				Se
		0, 6, 5				
over	incl.	ΔD_{mp}		VDp	Se	
		high	low	max		
18	30	0	-13	10	Values are identical to those for shaft washer of same bearing(Si)	
30	50	0	-16	12		
50	80	0	-19	14		
80	120	0	-22	17		
120	180	0	-25	19		
180	250	0	-30	23		

Outer rings

Unit : μm

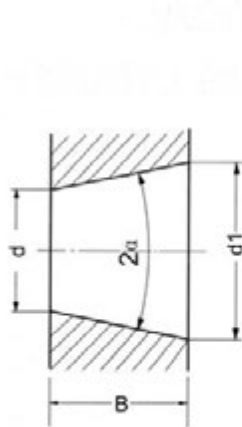
Nominal outside diameter D (mm)		ΔD_{mp}				VDp		Sez	
		Class 0, 6, 5		Class 4		Class 0, 6, 5	Class 4	Class 0, Class 6, Class 5, Class 4	
over	incl.	high	low	high	low	max		max	
10	18	0	-11	0	-7	8	5	According to the tolerance of S1 against "d" or "d2" of the same bearings.	
18	30	0	-13	0	-8	10	6		
30	50	0	-16	0	-9	12	7		
50	80	0	-19	0	-11	14	8		
80	120	0	-22	0	-13	17	10		
120	180	0	-25	0	-15	19	11		
180	250	0	-30	0	-20	23	15		
250	315	0	-35	0	-25	26	19		
315	400	0	-40	0	-28	30	21		
400	500	0	-45	0	-33	34	25		
500	630	0	-50	0	-38	38	29		
630	800	0	-75	0	-45	55	34		

2) To be applied only for bearings with flat

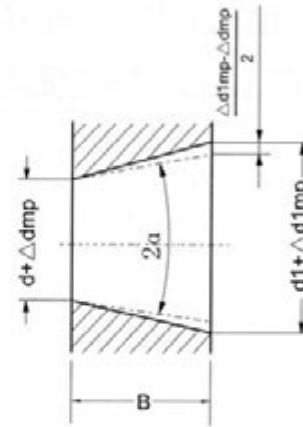
■ Class O Tolerance and Allowable Values of Tapered Hole of Radial Bearings

Unit : μm

Nominal bore Diameter d(mm)		Δdmp		$\Delta\text{d1mp} - \Delta\text{dmp}$		Vdp
over	incl.	high	low	high	low	max
-	10	+15	0	+15	0	10
10	18	+18	0	+18	0	10
18	30	+21	0	+21	0	13
30	50	+25	0	+25	0	15
50	80	+30	0	+30	0	19
80	120	+35	0	+35	0	25
120	180	+40	0	+40	0	31
180	250	+46	0	+46	0	38
250	315	+52	0	+52	0	44

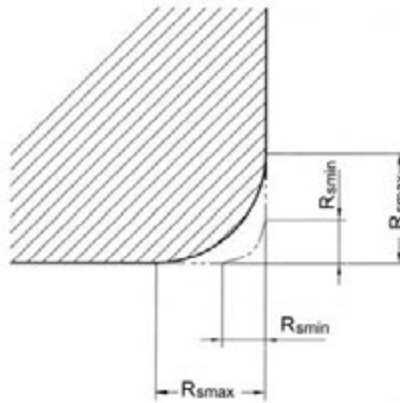


Theoretical tapered hole



Tapered hole having dimensional difference of the average bore diameter within the flat surface

ALLOWABLE CRITICAL-VALUE OF BEARING CHAMFER



■ Radial Bearing
(Except Tapered Roller Bearings) **Unit : μm**

Rs min	Nominal bore diameter d		Rs max	
	over	incl.	Radial direction	Axial direction
0.05	-	-	0.1	0.2
0.08	-	-	0.16	0.3
0.10	-	-	0.2	0.4
0.15	-	-	0.3	0.6
0.20	-	-	0.5	0.8
0.30	-	40	0.6	1
	40	-	0.8	1
0.60	-	40	1	2
	40	-	1.3	2
1.00	-	50	1.5	3
	50	-	1.9	3
1.10	-	120	2	3.5
	120	-	2.5	4

■ Radial Bearing
(Except Tapered Roller Bearings) **Unit : μm**

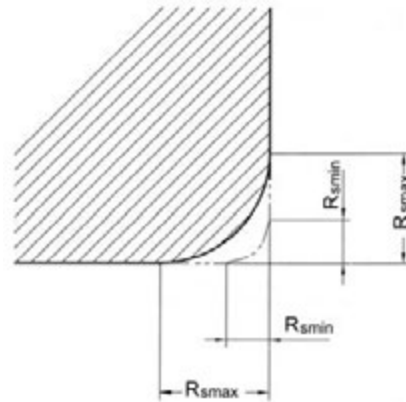
Rs min	Nominal bore diameter d		Rs max	
	over	incl.	Radial direction	Axial direction
1.50	-	120	2.3	4
	120	-	3	5
2.00	-	80	3	4.5
	80	220	3.5	5
2.10	-	280	3.8	6
	280	-	4	6.5
2.50	-	100	4.5	7
	100	280	4.5	6
3.00	-	280	5	8
	280	-	5.5	8
4.00	-	-	6.5	9
5.00	-	-	8	10

ALLOWABLE CRITICAL-VALUE OF BEARING CHAMFER

■ Tapered Roller Bearings (METRIC SIZE)

Unit : mm

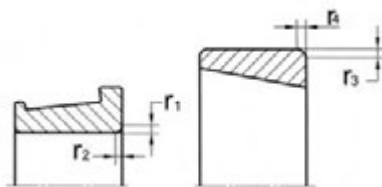
rs min or ris max	Nominal bore diameter of bearing "d" of nominal outside diameter "D"		Rs max or Ris max	
			Radial direction	Axial direction
	over	incl.		
0.3	-	40	0.7	1.4
	40	-	0.9	1.6
0.6	-	40	1.1	1.7
	40	-	1.3	2.0
1.0	-	50	1.6	2.5
	50	-	1.9	3.0
1.5	-	120	2.3	3.0
	120	250	2.8	3.5
	250	-	3.5	4.0
2.0	-	120	2.8	4.0
	120	150	3.5	4.5
	250	-	4.0	5.0
2.5	-	120	3.5	5.0
	120	250	4.0	5.5
	250	-	4.5	6.0
3.0	-	120	4.0	5.5
	120	250	4.5	6.5
	250	400	5.0	7.0
	400	-	5.5	7.5
4.0	-	120	5.0	7.0
	120	250	5.5	7.5
	250	400	6.0	8.0
	400	-	6.5	8.5
5.0	-	180	6.5	8.0
	180	-	7.5	9.0
6.0	-	180	7.5	10.0
	180	-	9.0	11.0



■ Tapered Roller Bearings (INCH SIZE)

Unit : mm

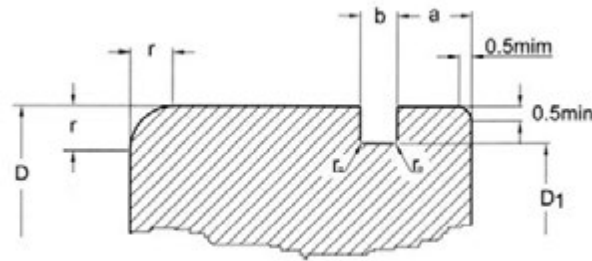
Nominal bearing bore diameter d		Maximum values	
		r1 max	r2 max
over	incl.		
-	50.8	rs min +0.4	rs min +0.9
50.8	101.6	rs min +0.5	rs min +1.3
101.6	254	rs min +0.6	rs min +1.6
Nominal bearing outside diameter D		Maximum values	
		r3 max	r4 max
over	incl.		
-	101.6	rs min +0.6	rs min +1.1
101.6	168.3	rs min +0.6	rs min +1.2
168.3	266.7	rs min +0.8	rs min +1.4





ENGINEERING

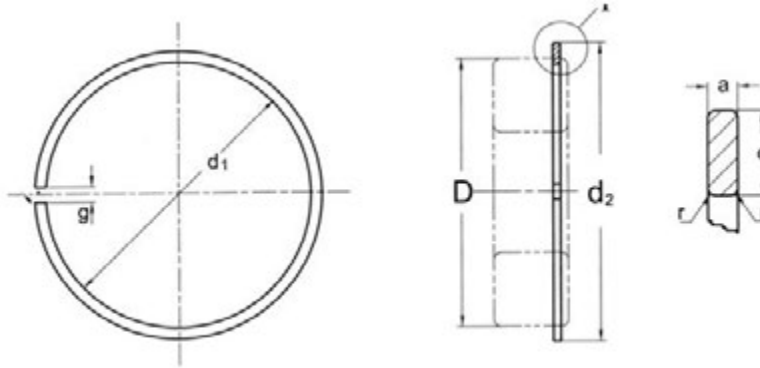
SNAP RING GROOVE ON OUTER RING



Unit : (mm)

D	D1	Permissible deviation	a		Permissible deviation	b	Permissible deviation	ro	Permissible deviation
			Diameter series						
			60, 160	62, 63, 64					
30	28.2	-0.25	-	2.06	-0.15	1.35	+0.30	0.4	-0.20
32	30.2		2.06	2.06		1.35		0.4	
35	33.2		2.06	2.06		1.35		0.4	
37	34.8		-	2.06		1.35		0.4	
40	38.10		-	2.06		1.35		0.4	
42	39.8		2.06	2.06		1.35		0.4	
47	44.60		2.06	2.46		1.35		0.4	
50	47.60		-	2.46		1.35		0.4	
52	49.7		2.06	2.46		1.35		0.4	
55	52.60		2.06	-		1.35		0.4	
56	53.60	-	2.46	1.35	0.4				
58	55.60	2.06	2.46	1.35	0.4				
62	59.6	2.06	3.28	1.9	0.6	-0.30			
65	62.60	-	3.28	1.9	0.6				
68	64.8	2.49	3.28	1.9	0.6				
72	68.8	-	3.28	1.9	0.6				
75	71.8	2.49	3.28	1.9	0.6				
80	76.8	2.49	3.28	1.9	0.6				
85	81.8	-	3.28	1.9	0.6				
90	86.8	2.87	3.28	2.7	0.6				
95	91.8	2.87	-	2.7	0.6				
100	96.80	2.87	3.28	2.7	0.6				
110	107	2.87	3.28	2.7	0.6				
115	112	2.87	-	2.7	0.6				
120	115	-	4.06	3.1	0.6				
125	120	2.87	4.06	3.1	0.6				
130	125	2.87	4.06	3.1	0.6				
140	135	3.71	4.90	3.1	0.6				
145	140	3.71	-	3.1	0.6				
150	145	3.71	4.90	3.1	0.6				

SNAP RING FOR BEARING WITH SNAP RING GROOVE ON OUTER RING



Unit : (mm)

d1	Unmounted permissible deviation	g	D	a -0.10	C -0.15	Mounted d2 max	r min	Designation
27.4	+0.4	3	30	1.12	3.25	34.7	0.4	SP 30
29.4	+0.4	3	32	1.12	3.25	36.7	0.4	SP 32
32.4	+0.4	3	35	1.12	3.25	39.7	0.4	SP 35
34.0	+0.4	3	37	1.12	3.25	41.3	0.4	SP 37
37.3	+0.4	3	40	1.12	3.25	44.6	0.4	SP 40
38.9	+0.5	3	42	1.12	3.25	46.3	0.4	SP 42
43.7	+0.5	4	47	1.12	4.04	52.7	0.4	SP 47
46.7	+0.5	4	50	1.12	4.04	55.7	0.4	SP 50
48.8	+0.5	4	52	1.12	4.04	57.9	0.4	SP 52
51.7	+0.5	4	55	1.12	4.04	60.7	0.4	SP 55
52.4	+0.8	4	56	1.12	4.04	61.7	0.4	SP 56
54.4	+0.8	4	58	1.12	4.04	63.7	0.4	SP 58
58.2	+0.8	4	62	1.70	4.04	67.7	0.6	SP 62
61.2	+0.8	4	65	1.70	4.04	70.7	0.6	SP 65
63.4	+0.8	5	68	1.70	4.85	74.6	0.6	SP 68
67.4	+0.8	5	72	1.70	4.85	78.6	0.6	SP 72
70.4	+0.8	5	75	1.70	4.85	81.6	0.6	SP 75
75.4	+0.8	5	80	1.70	4.85	86.6	0.6	SP 80
80.4	+0.8	5	85	1.70	4.85	91.6	0.6	SP 85
85.4	+0.8	5	90	2.46	4.85	96.5	0.7	SP 90
90.4	+0.8	5	95	2.46	4.85	101.6	0.7	SP 95
95.2	+1.0	5	100	2.46	4.85	106.5	0.7	SP 100
105.2	+1.0	5	110	2.46	4.85	116.6	0.7	SP 110
110.2	+1.0	5	115	2.46	4.85	121.6	0.7	SP 115
113.6	+1.0	7	120	2.82	7.21	129.7	0.7	SP 120
118.6	+1.0	7	125	2.82	7.21	134.7	0.7	SP 125
123.6	+1.0	7	130	2.82	7.21	139.7	0.7	SP 130
133.0	+1.6	7	140	2.82	7.21	149.7	0.7	SP 140
138.0	+1.6	7	145	2.82	7.21	154.7	0.7	SP 145
142.9	+1.6	7	150	2.82	7.21	159.7	0.7	SP 150



ENGINEERING

TOLERANCES FOR SPHERICAL PLAIN BEARINGS

Inner Ring (GE, GEZ) Bearings

Bore Diameter d				Single Mean Bore Diameter, dmp (1)				Width B			
Inch		mm		Inch		mm		Inch		mm	
over	incl.	over	incl.	high	low	high	low	high	low	high	low
0.4375	2.0000	11.112	50.800	+0	-0.0005	+0	-0.013	+0	-0.005	+0	-0.13
2.0000	3.0000	50.800	76.200	+0	-0.0006	+0	-0.015	+0	-0.005	+0	-0.13
3.0000	4.7500	76.200	120.650	+0	-0.0008	+0	-0.020	+0	-0.005	+0	-0.13
4.7500	6.0000	120.650	152.400	+0	-0.0010	+0	-0.025	+0	-0.005	+0	-0.13

1) "Single Mean diameter" is defined as the mean diameter in a single radial plane.

Outer Ring (GE, GEZ) Bearings

Outside Diameter D				Single Mean Bore Diameter, dmp (1)				Width C			
Inch		mm		Inch		mm		Inch		mm	
over	incl.	over	incl.	high	low	high	low	high	low	high	low
0.8125	2.0000	20.638	50.800	+0	-0.0005	+0	-0.013	+0	-0.005	+0	-0.13
2.0000	3.1875	50.800	80.962	+0	-0.0006	+0	-0.015	+0	-0.005	+0	-0.13
3.1875	4.7500	80.962	120.650	+0	-0.0008	+0	-0.020	+0	-0.005	+0	-0.13
4.7500	7.0000	120.650	177.800	+0	-0.0010	+0	-0.025	+0	-0.005	+0	-0.13
7.0000	8.7500	177.800	222.250	+0	-0.0012	+0	-0.030	+0	-0.005	+0	-0.13

1) Tolerances apply before coating GE with MoS2 and fracturing GE outer ring.

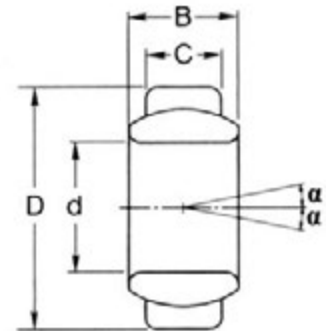
"Single Mean diameter" is defined as the mean diameter in a single radial plane.

SHAFT FITS

For normal service, the shaft diameters listed in the dimension table produce recommended fits. The table below is to be used only for applications where a shaft interference fit is required.

Shaft Diameter Tolerance for Interference Fit (GE, GEZ) Bearings

Bore Diameter d				Shaft Tolerance m6			
mm		Inch		mm		Inch	
over	incl.	over	incl.	high	low	high	low
10	18	0.3937	0.7087	+0.018	+0.007	+0.0007	+0.0003
18	30	0.7087	1.1811	+0.021	+0.008	+0.0008	+0.0003
30	50	1.1811	1.9685	+0.025	+0.009	+0.0010	+0.0004
50	80	1.9685	3.1496	+0.030	+0.011	+0.0012	+0.0005
80	120	3.1496	4.7244	+0.035	+0.013	+0.0014	+0.0005
120	180	4.7244	7.0866	+0.040	+0.015	+0.0016	+0.0006
180	250	7.0866	9.8425	+0.046	+0.017	+0.0018	+0.0007
250	315	9.8425	12.4015	+0.052	+0.020	+0.0020	+0.0008



TOLERANCES OF BALL BEARINGS FOR MOUNTED UNITS

■ Cylindrical bore (UC, SER, SB, CSB, HC, SA, CSA)

Unit : μm

Nominal bore diameter d				Cylindrical bore						Radial runout K_{ia} (max.)
over		incl.		Bore diameter				Width		
				Δd_{mp} Deviations		Δd_s Deviations		ΔB_{iS1} Deviations	ΔB_{eS} Deviations	
mm	inch	mm	inch	high	low	high	low	high	low	
10	0.3937	18	0.7087	+18 + 7	0 0	+22 + 9	-4 -2	0 0	-120 - 47	15 6
18	0.7087	30	1.1811	+21 + 8	0 0	+25 +10	-4 -2	0 0	-120 - 47	18 7
30	1.1811	50	1.9685	+25 +10	0 0	+30 +12	-5 -2	0 0	-120 - 47	20 8
50	1.9685	80	3.1496	+30 +12	0 0	+36 +14	-6 -2	0 0	-150 - 59	25 10
80	3.1496	120	4.7244	+35 +14	0 0	+42 +17	-7 -3	0 0	-200 - 79	30 12
120	4.7244	180	7.0866	+40 +16	0 0	+48 +19	-8 -3	0 0	-250 - 98	35 14

Note : Symbols

Δd_{mp} : Mean bore diameter deviation

Δd_s : Bore diameter deviation

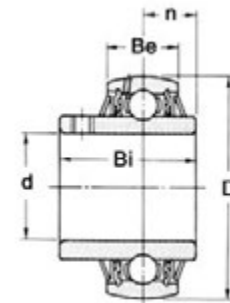
ΔB_{iS1} : Inner ring width deviation

ΔB_{eS} : Outer ring width deviation

■ Outer Ring

Unit : μm

Nominal outside diameter D				Mean outside diameter deviation ΔD_{mp}		Radial runout K_{ea} (max.)
over		incl.				
mm	inch	mm	inch	high	low	
30	1.1811	50	1.9685	0 0	-11 - 4	20 8
50	1.9685	80	3.1496	0 0	-13 - 5	25 10
80	3.1496	120	4.7244	0 0	-15 - 6	35 14
120	4.7244	150	5.9055	0 0	-18 - 7	40 16
150	5.9055	180	7.0866	0 0	-25 -10	45 18
180	7.0866	250	9.8425	0 0	-30 -12	50 20
250	9.8425	315	12.4016	0 0	-35 -14	60 24



The low deviation of outside diameter ΔD_{mp} does not apply within the distance of 1/4 the width of the outer ring from the side

Distance Between Radial Plane Passing Through Center of Sphere of Outer Ring and Side of Inner Ring

Nominal bore diameter d				n Deviations Δn_s	
over		incl.		high	low
mm	inch	mm	inch		
-	-	50	1.9685	± 200	± 79
50	1.9685	80	3.1496	± 250	± 98
80	3.1496	120	4.7244	± 300	± 118
120	4.7244	-	-	± 350	± 138

TOLERANCES OF HOUSINGS

Spherical Bore Diameter of Housings

Unit : μm

Nominal bore diameter D_a				Tolerance class H7				Tolerance class J7			
over		incl.		ΔD_{amp} Deviations		ΔD_{as} Deviations		ΔD_{amp} Deviations		ΔD_{as} Deviations	
mm	inch	mm	inch	high	low	high	low	high	low	high	low
30	1.1811	50	1.9685	+25 +10	0 0	+30 +12	-5 -2	+14 +6	-11 -4	+19 +7	-16 -6
50	1.9685	80	3.1496	+30 +12	0 0	+36 +14	-6 -2	+18 +7	-12 -5	+24 +9	-18 -7
80	3.1496	120	4.7244	+35 +14	0 0	+42 +17	-7 -3	+22 +9	-13 -5	+29 +11	-20 -8
120	4.7244	180	7.0866	+40 +16	0 0	+48 +19	-8 -3	+26 +10	-14 -6	+34 +13	-22 -9
180	7.0866	250	9.8425	+46 +18	0 0	+55 +22	-9 -4	+30 +12	-16 -6	+39 +15	-25 -10
250	9.8425	315	12.4016	+52 +20	0 0	+62 +24	-10 -4	+36 +14	-16 -6	+46 +18	-26 -10

1) Symbols

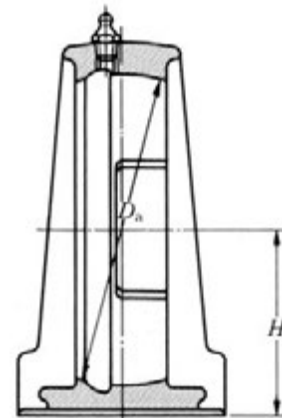
ΔD_{amp} : Mean spherical bore diameter deviation

ΔD_{as} : Spherical bore diameter deviation

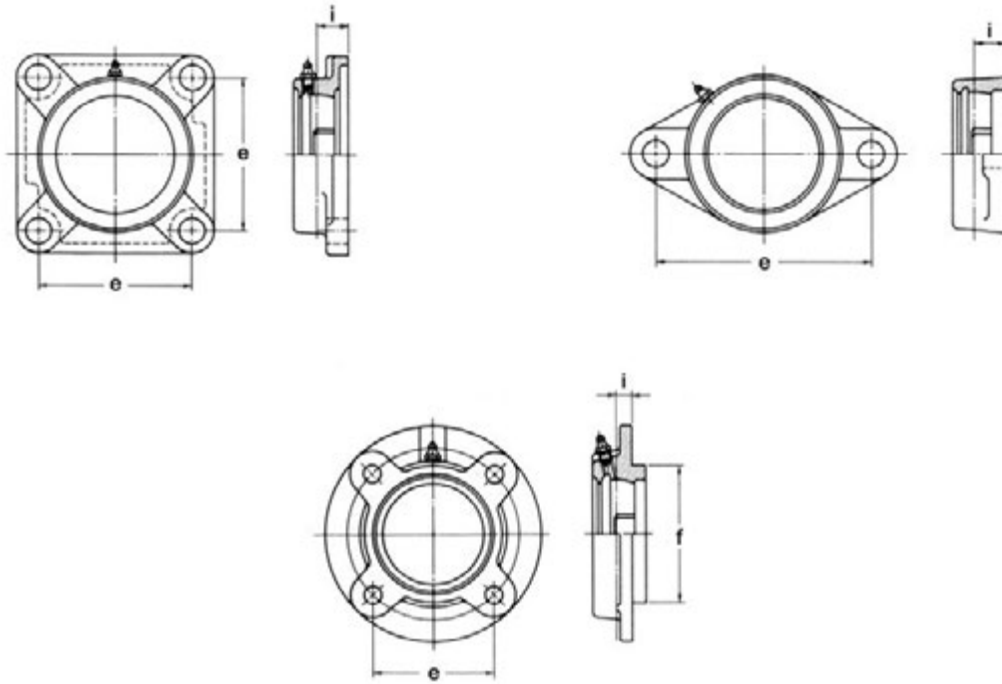
2) Dimensional tolerances for spherical bore diameter of housing are classified as H7 for clearance fit, and J7 for intermediate fit.

Pillow Block Housings (PE, PA, TB, AK)

Housing numbers				H Deviations ΔH_s
PE203	-	-	-	Unit : μm ± 150 ± 59
PE204	PA204	TB204	AK204	
PE205	PA205	TB205	AK205	
PE206	PA206	TB206	AK206	
PE207	PA207	TB207	AK207	
PE208	PA208	TB208	AK208	
PE209	PA209	TB209	AK209	
PE210	PA210	TB210	AK210	
PE211	-	-	-	± 200 ± 79
PE212	-	-	-	
PE213	-	-	-	
PE214	-	-	-	
PE215	-	-	-	



1) H is height of the shaft center line



■ Flange unit housings (F, FS, FC, FCS, FL, FT, FD, LF)

Unit : μm

Housing numbers						e Deviations Δe_s	i Deviations Δi_s	f Deviations Δf_s		Radial runout of spigot joint Δi_s (max)
								FC-FCS		
								high	low	
F203	-	-	FL203	FD203	LF203	± 700 ± 276	± 500 ± 197	0	-46	200 79
F204	FC204	FCS204	FL204	FD204	LF204			0	-18	
F205	FC205	FCS205	FL205	FD205	LF205			0	-54	
F206	FC206	FCS206	FL206	FD206	LF206			0	-21	
F207	FC207	FCS207	FL207	FD207	LF207					
F208	FC208	FCS208	FL208	-	-					
F209	FC209	FCS209	FL209	-	-					
F210	FC210	FCS210	FL210	-	-					
F211	FC211	FCS211	FL211	-	-					
F212	FC212	FCS212	FL212	-	-	± 1000 ± 394	± 800 ± 315	0	-63	300 118
F213	FC213	FCS213	FL213	-	-			0	-25	
F214	FC214	FCS214	FL214	-	-					
F215	FC215	FCS215	FL215	-	-					
F215	FC215	FCS215	FL215	-	-					

F = FS

FL = FT

1) **e** is the bolt hole's center line dimension. **i** is distance between the center line of spherical bore diameter of the housing and mounting surfaces, and **f** is outside diameter of the spigot joint.

2) Radial runout of spigot joint is applied for flange units with spigot joints.

3) For FS and FT types, tolerances for F shall be applied.

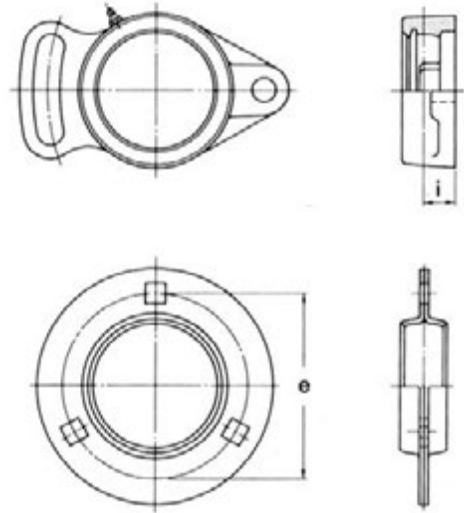
TOLERANCES OF HOUSINGS

Flange Unit Housings (FB, FK, FA)

Housing numbers	i Deviations Δi_s	Housing Numbers	e Deviations Δe_s
- FB, FK, FA204 FB, FK, FA205 FB, FK, FA206	± 500 ± 197	PF203 PF204 PF205	± 500 ± 197
FB, FK, FA207 FB, FK, FA208 FB, FK, FA209		PF206 PF207 PF208	
FB, FK, FA210		PFL203 PFL204 PFL205	
FA211	± 800 ± 315	PFL206 PFL207	

Unit: $\mu\text{m}/0.0001$ inch

- i is distance between the center line of spherical bore diameter of housings.
- e is the bolt hole's center line dimension

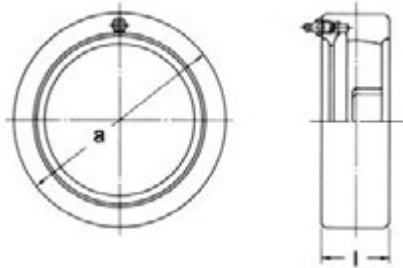


Take-Up Unit Housings (T)

Unit : μm

Housing numbers		k Deviations Δk_s		e Deviations Δe_s		Parallelism of guide (max.)
		high	low	high	low	
T204	ST204	0 0	+200 +79	0 0	-500 -197	500 197
T205	ST205					
T206	ST206					
T207	ST207	0 0	± 300 ± 118	0 0	-800 -315	600 236
T208	ST208					
T209	ST209					
T210	ST210					
T211	ST211					
T212	ST212					
T213	ST213					
T214	ST214					
T215	ST215					
-	-					
-	-					
-	-					

- k is the width of guide rail grooves
- e is the maximum span of guide rail grooves



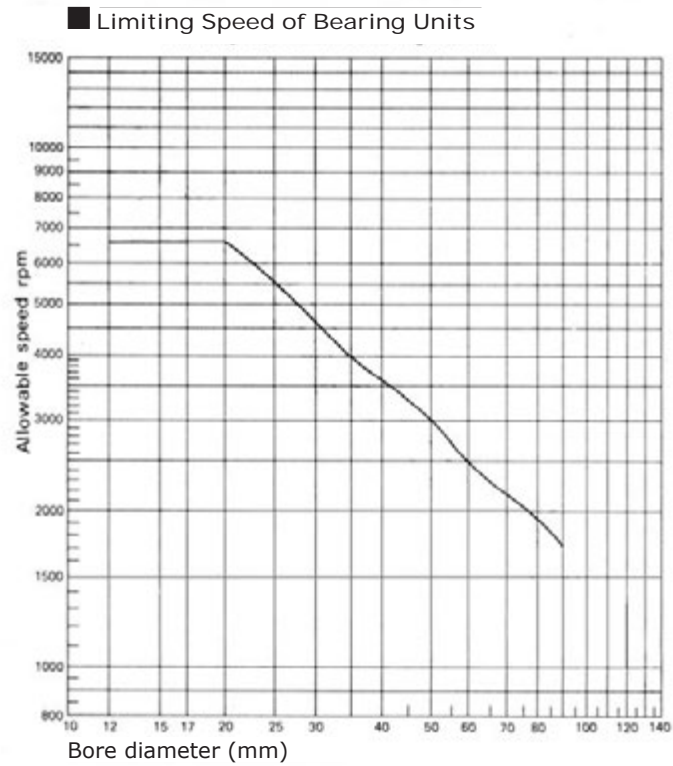
Cartridge Unit Housings (C)

Unit : μm

Housing numbers	a Deviations Δa_s		Radial runout of outside surface (max.)	l Deviations Δl_s
	high	low		
C204 C205 C206	0 0	-30 -12	200 79	± 200 ± 79
C207 C208 C209	0 0	-35 -14		
C210 C211 C212	0 0	-40 -16		
C213	0 0	-40 -16	300 118	± 300 ± 118

- a is the outside diameter of cartridge housings
- l is width of cartridge housings

The maximum speed possible while ensuring the safety and long life of ball bearings used in the units is shown in figure below.





ENGINEERING

MATERIAL OF BEARING RINGS AND BALLS

The **KML** bearing rings and balls are made of high carbon chromium steel GCr15 which has a chemical composition equivalent to SAE 52100.

Steel No.	C	Cr	Si	Mn	S	P
GCr15	0.95-1.05%	1.30-1.65%	0.15-0.35%	0.20-0.40%	≤0.020%	≤0.027%
SAE 52100	0.98-1.10%	1.30-1.60%	0.15-0.30%	0.25-0.45%	≤0.025%	≤0.025%

The hardness for bearing rings is HRC 59-64 and HRC 60-65 for steel balls



EQUIVALENCE

■ Conversion

Length	1 μm = 0.000039 In. 1 mm = 0.039 In. 1 In. = 25.4 mm
Mass	1 kg = 2.205 Lbs
Force	1 N = 0.225 lbf 1 lbf = 4.45 N
Moment	1Nmm = 0.009 In.lbf 1In.lbf = 113 Nmm 1Nm = 8.85 In.lbf 1 In.lbf = 0.133 Nm
Power	1 W = 0.00136 HP 1 HP = 736 W
Pressure	1 MPa = 1 N/mm ² = 145 psi 1 psi = 0.007 N/mm ² = 0.007 MPa
Kinematic viscosity	1 mm ² /s = 1 cSt

■ Conversion

Shaft Size		
Inch		
1/2"	8	008
5/8"	10	010
3/4"	12	012
7/8"	14	014
15/16"	15	015
1.00"	16	100
1-1/16"	17	101
1-1/8"	18	102
1-3/16"	19	103
1-1/4"	20	104
1-5/16"	21	105
1-3/8"	22	106
1-7/16"	23	107
1-1/2"	24	108
1-9/16"	25	109
1-5/8"	26	110

■ Conversion

Shaft Size		
Inch		
1-11/16"	27	111
1-3/4"	28	112
1-7/8"	30	114
1-15/16"	31	115
2.00	32	200
2-1/8"	34	202
2-3/16"	35	203
2-1/4"	36	204
2-3/8"	38	206
2-7/16"	39	207
2-1/2"	40	208
2-11/16"	43	211
2-3/4"	44	212
2-15/16"	47	215
3.00"	48	300



CONVERSION TABLE

Inch-Millimeter Conversion Table

1 inch = 25.400 mm

Inch		0	1	2	3	4	5	6	7	8	9
Fraction	Decimal										
1/64	0.015625	0.397	25.400	50.800	76.200	101.600	127.000	152.400	177.800	203.200	228.600
1/32	0.031250	0.794	25.797	51.197	76.597	101.997	127.397	152.797	178.197	203.597	228.997
3/64	0.046875	1.191	26.194	51.594	76.994	102.394	127.794	153.194	178.594	203.994	229.394
1/16	0.062500	1.588	26.591	51.991	77.391	102.791	128.191	153.591	178.991	204.391	229.791
		1.588	26.988	52.388	77.788	103.188	128.588	153.988	179.388	204.788	230.188
5/64	0.078125	1.984	27.384	52.784	78.184	103.584	128.984	154.384	179.784	205.184	230.584
3/32	0.093750	2.381	27.781	53.181	78.581	103.981	129.381	154.781	180.181	205.581	230.981
7/64	0.109375	2.778	28.178	53.578	78.978	104.378	129.778	155.178	180.578	205.978	231.378
1/8	0.125000	3.175	28.575	53.975	79.375	104.775	130.175	155.575	180.975	206.375	231.775
9/64	0.140625	3.572	28.972	54.372	79.772	105.172	130.572	155.972	181.372	206.772	232.172
5/32	0.156250	3.969	29.369	54.769	80.169	105.569	130.969	156.369	181.769	207.169	232.569
11/64	0.171875	4.366	29.766	55.166	80.566	105.966	131.366	156.766	182.166	207.566	232.966
3/16	0.187500	4.763	30.163	55.563	80.963	106.363	131.763	157.163	182.563	207.963	233.363
13/64	0.203125	5.159	30.559	55.959	81.359	106.759	132.159	157.559	182.959	208.359	233.759
7/32	0.218750	5.556	30.956	56.356	81.756	107.156	132.556	157.956	183.356	208.756	234.156
15/64	0.234375	5.953	31.353	56.753	82.153	107.553	132.953	158.353	183.753	209.153	234.553
1/4	0.250000	6.350	31.750	57.150	82.550	107.950	133.350	158.750	184.150	209.550	234.950
17/64	0.265625	6.747	32.147	57.547	82.947	108.347	133.747	159.147	184.547	209.947	235.347
9/32	0.281250	7.144	32.544	57.944	83.344	108.744	134.144	159.544	184.944	210.344	235.744
19/64	0.296875	7.541	32.941	58.341	83.741	109.141	134.541	159.941	185.341	210.741	236.141
5/16	0.312500	7.938	33.338	58.738	84.138	109.538	134.938	160.338	185.738	211.138	236.538
21/64	0.328125	8.334	33.734	59.134	84.534	109.934	135.334	160.734	186.134	211.534	236.934
11/32	0.343750	8.731	34.131	59.531	84.931	110.331	135.731	161.131	186.531	211.931	237.331
23/64	0.359375	9.128	34.528	59.928	85.328	110.728	136.128	161.528	186.928	212.328	237.728
3/8	0.375000	9.525	34.925	60.325	85.725	111.125	136.525	161.925	187.325	212.725	238.125
25/64	0.390625	9.922	35.322	60.722	86.122	111.522	136.922	162.322	187.722	213.122	238.522
13/32	0.406250	10.319	35.719	61.119	86.519	111.919	137.319	162.719	188.119	213.519	238.919
27/64	0.421875	10.716	36.116	61.516	86.916	112.316	137.716	163.116	188.516	213.916	239.316
7/16	0.437500	11.113	36.513	61.913	87.313	112.713	138.113	163.513	188.913	214.313	239.713
29/64	0.453125	11.509	36.909	62.309	87.709	113.109	138.509	163.909	189.309	214.709	240.109
15/32	0.468750	11.906	37.306	62.706	88.106	113.506	138.906	164.306	189.706	215.106	240.506
31/64	0.484375	12.303	37.703	63.103	88.503	113.903	139.303	164.703	190.103	215.503	240.903
1/2	0.500000	12.700	38.100	63.500	88.900	114.300	139.700	165.100	190.500	215.900	241.300
33/64	0.515625	13.097	38.497	63.897	89.297	114.697	140.097	165.497	190.897	216.297	241.697
17/32	0.531250	13.494	38.894	64.294	89.694	115.094	140.494	165.894	191.294	216.694	242.094
35/64	0.546875	13.891	39.291	64.691	90.091	115.491	140.891	166.291	191.691	217.091	242.491
9/16	0.562500	14.288	39.688	65.088	90.488	115.888	141.288	166.688	192.088	217.488	242.888
37/64	0.578125	14.684	40.084	65.484	90.884	116.284	141.684	167.084	192.484	217.884	243.284
19/32	0.593750	15.081	40.481	65.881	91.281	116.681	142.081	167.481	192.881	218.281	243.681
39/64	0.609375	15.478	40.878	66.278	91.678	117.078	142.478	167.878	193.278	218.678	244.078
5/8	0.625000	15.875	41.275	66.675	92.075	117.475	142.875	168.275	193.675	219.075	244.475
41/64	0.640625	16.272	41.672	67.072	92.472	117.872	143.272	168.672	194.072	219.472	244.872
21/32	0.656250	16.669	42.069	67.469	92.869	118.269	143.669	169.069	194.469	219.869	245.269
43/64	0.671875	17.066	42.466	67.866	93.266	118.666	144.066	169.466	194.866	220.266	245.666
11/16	0.687500	17.463	42.863	68.263	93.663	119.063	144.463	169.863	195.263	220.663	246.063
45/64	0.703125	17.859	43.259	68.659	94.059	119.459	144.859	170.259	195.659	221.059	246.459
23/32	0.718750	18.256	43.656	69.056	94.456	119.856	145.256	170.656	196.056	221.456	246.856
47/64	0.734375	18.653	44.053	69.453	94.853	120.253	145.653	171.053	196.453	221.853	247.253
3/4	0.750000	19.050	44.450	69.850	95.250	120.650	146.050	171.450	196.850	222.250	247.650
49/64	0.765625	19.447	44.847	70.247	95.647	121.047	146.447	171.847	197.247	222.647	248.047
25/32	0.781250	19.844	45.244	70.644	96.044	121.444	146.844	172.244	197.644	223.044	248.444
51/64	0.796875	20.241	45.641	71.041	96.441	121.841	147.241	172.641	198.041	223.441	248.841
13/16	0.812500	20.638	46.038	71.438	96.838	122.238	147.638	173.038	198.438	223.838	249.238
53/64	0.828125	21.034	46.434	71.834	97.234	122.634	148.034	173.434	198.834	224.234	249.634
27/32	0.843750	21.431	46.831	72.231	97.631	123.031	148.431	173.831	199.231	224.631	250.031
55/64	0.859375	21.828	47.228	72.628	98.028	123.428	148.828	174.228	199.628	225.028	250.428
7/8	0.875000	22.225	47.625	73.025	98.425	123.825	149.225	174.625	200.025	225.425	250.825
57/64	0.890625	22.622	48.022	73.422	98.822	124.222	149.622	175.022	200.422	225.822	251.222
29/32	0.906250	23.019	48.419	73.819	99.219	124.619	150.019	175.419	200.819	226.219	251.619
59/64	0.921875	23.416	48.816	74.216	99.616	125.016	150.416	175.816	201.216	226.616	252.016
15/16	0.937500	23.813	49.213	74.613	100.013	125.413	150.813	176.213	201.613	227.013	252.413
61/64	0.953125	24.209	49.609	75.009	100.409	125.809	151.209	176.609	202.009	227.409	252.809
31/32	0.968750	24.606	50.006	75.406	100.806	126.206	151.606	177.006	202.406	227.806	253.206
63/64	0.984375	25.003	50.403	75.803	101.203	126.603	152.003	177.403	202.803	228.203	253.603



INTERCHANGE

**Manufacturer to KML Bearing USA
Part Series to KML Bearing USA**



DEEP GROOVE BALL BEARINGS
Deep Groove Ball Bearings, Spherical CC, 15 Series Inch Size, 1500 Series Inch Size, ISO Series Miniatures, Self-aligning, Tapered Bore, Double Row Angular Contact, Single Direction, Tapered Type, and Stainless Steel



SPHERICAL PLAIN BEARINGS
Steel-on-Steel Design, Available in both Metric and Inch Size Series



MOUNTED BEARING UNITS
Flange Blocks, Flange Units, Take-Up Units, Cartridge Units, Hanger Units



TAPERED ROLLER BEARINGS
Metric and Inch Size Series, Designed to Handle High Capacity Radial, Axial and Combined Loads



AGRICULTURAL BEARINGS
Lubricate-for-Life Cylindrical and Spherical Bearings, and Greasable Bearings, Special Size Bearings, including Air Bore, Taper and Rubber Bore, Double Lip Seals, Extended Inner Rings and more



CORROSION RESISTANT PRODUCTS
Thermoplastic and Stainless Steel Corrosion Resistant Mounted Bearing Units





INTERCHANGE

SERIES	MANUFACTURER	KML
100	(BCA, GPZ)	6000
100	(Hoffmann, Pollard)	6200
200	(BCA, GPZ, Hoover, McGill)	6200
00-TA-12	(BCA)	51200
0200	(Hoover)	7200
0LOO	(NDH)	7000
1000DECG	(RHP)	HC
1000G	(RHP)	UC
1000KG	(RHP)	UK
100ACD	(Hoffmann)	7200
100C	(Pollard)	6200N
100C(W/C)	(Pollard)	6200NR
100-D	(BCA)	6000RS
100-DD	(BCA)	6000-2RS
100GW	(Pollard)	7200
100GWX6	(Pollard)	7200B
100K	(Hoffmann)	6200N
100KR	(Hoffmann)	6200NR
100-KS	(MRC)	6000
100-KSF	(MRC)	6000Z
100-KSFF	(MRC)	6000-ZZ
100-KSG	(MRC)	6000NR
100-KSZ	(MRC)	6000RS
100-KSZZ	(MRC)	6000-2RS
100-L	(BCA)	6000NR
100MS	(Fafnir)	PF211
100P	(Hoffmann)	6200Z
100P	(Pollard)	6200RS
100PP	(Hoffmann)	6200-ZZ
100PP	(Pollard)	6200-2RS
100RS	(Hoffmann)	6200RS
100RSS	(Hoffmann)	6200-2RS
100-S	(BCA)	6000Z
100-SS	(BCA)	6000-ZZ
100Z	(Pollard)	6200Z
100ZZ	(Pollard)	6200-ZZ
10LOO	(RIV)	6000-2RS
1100	(RHP)	UC
1100CG	(RHP)	SER
1100-F	(MRC)	51200
111500	(GPZ)	2200K
1200	(FAG, GPZ, Koyo, Nachi, NSK, NTN, SKF, SNR, SRO, Steyr)	1200
1200	(Federal)	6200
1200	(RHP)	1200
1200CG	(Federal)	6200NR
1200EC	(RHP)	SA
1200ECG	(RHP)	SA200G
1200F	(Federal)	6200Z
1200FF	(Federal)	6200-ZZ
1200G	(RHP)	SB200G
1200K	(RHP)	1200K
1200L	(Federal)	6200RS
1200LL	(Federal)	6200-2RS
1200SA	(Federal)	1200
12200	(GPZ)	NF200
12300	(GPZ)	NF300
1300	(FAG, GPZ, Koyo, Nachi, NSK, NTN, SKF, SNR, SRO, Steyr)	1300
1300	(Federal)	6300
1300	(Federal)	6300NR
1300	(RHP)	1300
1300CG	(Federal)	6300Z
1300EC	(RHP)	CSA
1300F	(Federal)	6300-ZZ
1300FF	(Federal)	6300RS
1300L	(Federal)	6300-2RS
1300LL	(Federal)	6300-2RS
1300R	(Federal)	6300RS
1300RR	(Federal)	6300-2RS
1300SA	(Federal)	1300
1400	(GPZ)	6400
1500	(GPZ)	2200
1600	(GPZ)	2300

SERIES	MANUFACTURER	KML
16000	(FAG, GMN, NSK, NTN, SKF, SNR, Steyr)	16000
16000	(RHP)	16000
1716200D-2LS	(SKF)	CSA
1726200-2RS	(RHP)	CS200DDU
1726200-2RS1	(SKF)	CS200DDU
1726300-2RS	(RHP)	CS300DDU
1726300-2RS1	(SKF)	CS300DDU
173200	(SKF)	SA200G
173600	(SKF)	SA
174600	(SKF)	CSA
180200	(GPZ)	6200-2RS
180300	(GPZ)	6300-2RS
1AC08-1-3/16	(NTN)	W208PPB7
1AH06-1	(NTN)	206KRR6
1AS08-1	(NTN)	W208PPB6
1AS08-1-1/8	(NTN)	W208PPB5
1AS08-1-5/32D1	(NTN)	GW208PPB5
1AS08-7/8	(NTN)	W208PPB13
2/DF240/8	(RHP)	W208PP6
2/DF240/9	(RHP)	W208PP5
2/DNF140V1-3/16	(RHP)	W208PPB7
2/DNF240/7	(RHP)	W208PPB13
2/DNF240/8	(RHP)	W208PPB6
2/DNF240/9	(RHP)	W208PPB5
200(N)P	(Fafnir)	6200RS
200(N)PP	(Fafnir)	6200-2RS
200-D	(BCA)	6200RS
200-DD	(BCA)	6200-2RS
200F	(McGill)	6200Z
200FF	(McGill)	6200-ZZ
200G	(Hoover, McGill)	6200NR
200K	(Fafnir)	6200
200KD	(Fafnir)	6200Z
200KDD	(Fafnir)	6200-ZZ
200KG	(Fafnir)	6200NR
200-L	(BCA)	6200NR
200NPPB	(Fafnir, INA)	CS200DDU
200-S	(BCA)	6200Z
200-S	(MRC)	6200
200-SF	(MRC)	6200Z
200-SFF	(MRC)	6200-ZZ
200-SG	(MRC)	6200NR
200-SS	(BCA)	6200-ZZ
200-SZ	(MRC)	6200RS
200-SZZ	(MRC)	6200-2RS
20200	(NDH)	7200
202FFH8	(BCA)	202NPP9
202NPP9	(Fafnir, PEER)	202NPP9
202RRE	(BCA, PEER)	202RRE
20300	(NDH)	7300
203JD	(PEER)	203JD
203K	(Fafnir)	203JD
203KRR2	(Fafnir, PEER)	203KRR2
203KRR5	(Fafnir, PEER)	203KRR5
203RRAR10	(BCA)	203KRR2
204BBAR	(BCA)	Z9504RST
204FGB	(BCA)	204KRD4
204-FREN	(BCA)	204-FREN
204FVMN	(BCA)	204RY2
204KRD4	(Fafnir, PEER)	204KRD4
204RY2	(Fafnir, PEER)	204RY2
205E-2RST	(PEER)	205E-2RST
205KR3	(Fafnir, PEER)	205KR3
205PPB7	(Fafnir, PEER)	205PPB7
205RHN	(BCA)	205KR3
205RVA	(BCA)	205E-2RST
205TTH	(BCA)	205PPB7
206KRR6	(Fafnir, PEER)	206KRR6
206KRRB6	(Fafnir, PEER)	206KRRB6
2100	(GPZ)	N1000
21300	(FAG, NTN, SKF)	21300
21300	(RHP)	21300
21300E	(Nachi)	21300



INTERCHANGE

SERIES	MANUFACTURER	KML
21300R	(Koyo)	21300
21300V	(SNR)	21300
2200	(FAG, Koyo, Nachi, NSK, NTN, Rollway, SKF, SNR, SRO, Steyr)	2200
2200	(GPZ)	N200
2200	(RHP)	2200
2200K	(RHP)	2200K
2200SA	(Federal)	2200
22200	(FAG)	22200W33
22200	(RHP)	22200
22200B	(NTN)	22200
22200C	(SKF)	22200W33
22200CW33	(SKF)	22200W33
22200E	(Nachi)	22200
22200HL	(FAG)	22200
22200LB	(Link Belt)	22200W33
22200R	(Koyo)	22200
22200S	(FAG)	22200W33
22200V	(SNR)	22200
22200W33	(RHP)	22200W33
22300	(FAG)	22300W33
22300	(SRO)	22300
22300	(RHP)	22300
22300B	(NTN)	22300
22300C	(SKF)	22300W33
22300CC	(SKF)	---
22300CCW33	(SKF)	----
22300CW33	(SKF)	22200W33
22300E	(FAG)	----
22300E	(Nachi)	22300
22300ES	(FAG)	---
22300HL	(FAG)	22300
22300LB	(Link Belt)	22300W33
22300R	(Koyo)	22300
22300S	(FAG)	22300W33
22300V	(SNR)	22300
22300W33	(RHP)	22300W33
2300	(FAG, Koyo, Nachi, NSK, NTN, Rollway, SKF, SNR, SRO, Steyr)	2300
2300	(GPZ)	N300
2300	(RHP)	2300
23000	(RHP)	23000
23000B	(NTN)	23000
23000C	(SKF)	23000
23000E	(Nachi)	23000
23000HL	(FAG)	23000
23000LB	(Link Belt)	23000W33
23000R	(Koyo)	23000
23000V	(SNR)	23000
23000W33	(RHP)	23000W33
2300SA	(Federal)	2300
23100	(RHP)	23100
23100B	(NTN)	23100
23100C	(SKF)	23100
23100E	(Nachi)	23100
23100HL	(FAG)	23100
23100LB	(Link Belt)	23100W33
23100R	(Koyo)	23100
23100V	(SNR)	23100
23100W33	(RHP)	23100W33
23200	(RHP)	23200
23200B	(NTN)	23200
23200C	(SKF)	23200
23200E	(Nachi)	23200
23200HL	(FAG)	23200
23200LB	(Link Belt)	23200W33
23200V	(SNR)	23200
23200W33	(RHP)	23200W33
238200(D)-2LS	(SKF)	SA
2600	(NDH)	1300
28/PDNF145\1-1/2	(RHP)	W209PPB4
2AH06-1	(NTN)	206KRRB6

SERIES	MANUFACTURER	KML
2AS08-1-1/8D1	(NTN)	W208PPB8
2AS08-1D1	(NTN)	W208PPB9
2AS09-1-1/4D1	(NTN)	W209PPB5
2AS10-1-1/8D1	(NTN)	W210PPB6
2FE	(NDH)	SAFL
2FS	(NDH)	UCFL
300	(BCA, GPZ, Hoffmann, Hoover, McGill, Pollard)	6300
3003100	(GPZ)	23000
3003700	(GPZ)	23100
300ACD	(Hoffmann)	7300
300C	(Pollard)	6300N
300C(W/C)	(Pollard)	6300NR
300-D	(BCA)	6300RS
300-DD	(BCA)	6300-2RS
300F	(McGill)	6300Z
300FF	(McGill)	6300
300G	(Hoover, McGill)	6300NR
300K	(Fafnir)	6300
300K	(Hoffmann)	6300N
300KD	(Fafnir)	6300Z
300KDD	(Fafnir)	6300-ZZ
300KG	(Fafnir)	6300NR
300KR	(Hoffmann)	6300NR
300-L	(BCA)	6300NR
300NP	(Fafnir)	6300RS
300NPP	(Fafnir)	6300-2RS
300P	(Hoffmann)	6300Z
300P	(Pollard)	6300RS
300PP	(Hoffmann)	6300-ZZ
300PP	(Pollard)	6300-2RS
300RS	(Hoffmann)	6300RS
300RSS	(Hoffmann)	6300-2RS
300-S	(BCA)	6300Z
300-S	(MRC)	6300
300-SF	(MRC)	6300Z
300-SFF	(MRC)	6300-ZZ
300-SG	(MRC)	6300NR
300-SS	(BCA)	6300-ZZ
300-SZ	(MRC)	6300RS
300-SZZ	(MRC)	6300-2RS
300Z	(Pollard)	6300Z
300ZZ	(Pollard)	6300-ZZ
30200	(NDH)	7200B
30300	(NDH)	7300B
3200	(FAG, Koyo, Nachi, NSK, NTN, SKF, SRO, Steyr)	5200
3200	(NDH)	6200
3200	(RHP)	5200
3200B	(SNR)	5200
32200	(GPZ)	NU200
32300	(GPZ)	NU300
32500	(GPZ)	NU2200
32600	(GPZ)	NU2300
3300	(FAG, Koyo, Nachi, NSK, NTN, SKF, SRO, Steyr)	5300
3300	(NDH)	6300
3300	(RHP)	5300
3300B	(SNR)	5300
3400	(NDH)	6400
3500	(GPZ)	22200
36/DF140\1-1/2	(RHP)	W208PP10
36/PDNF140\1-1/2	(RHP)	W208PPB2
3600	(GPZ)	22300
36200	(FAG)	HC
3AC09-1-1/2D1	(NTN)	GW209PPB4
3AC09D1	(NTN)	GW209PPB2
3AC10-1-15/16D1	(NTN)	W210PPB2
3AC10-1-3/4D1	(NTN)	W210PPB5
3AC11-2-3/16D1	(NTN)	W211PPB2
3AC14D1	(NTN)	GW214PPB2
3AS11-1-1/2D1	(NTN)	W211PPB3
3LOO	(Hoover, NDH)	6000
3LOO-G	(Hoover)	6000NR



INTERCHANGE

SERIES	MANUFACTURER	KML
400	(GPZ, Hoover, McGill)	6400
400K	(Fafnir)	6400
400-S	(MRC)	6400
40MS	(Fafnir)	PF203
40MST	(Fafnir)	PFL203
413200(D)	(SKF)	UC
42200	(GPZ)	NJ200
42300	(GPZ)	NJ300
43200	(NDH)	6200NR
43300	(NDH)	6300NR
43LOO	(NDH)	6000NR
46200	(GPZ)	7200B
46300	(GPZ)	7300B
477200	(SKF)	HC
479200	(SKF)	UC
47MS	(Fafnir)	PF204
47MST	(Fafnir)	PFL204
47MSTR	(Fafnir)	PFT204
491A	(Fafnir)	ST491A
4AS08-1-1/8	(NTN)	W208PPB12
4AS08-7/8	(NTN)	W208PPB11
4AS09-1-1/4	(NTN)	W209PPB7
4AS11-1-1/2	(NTN)	W211PPB6
4FE	(NDH)	SAF
4FS	(NDH)	UCF
5/PDNF150\1-3/4	(RHP)	W210PPB5
500	(Hoffmann, Pollard)	6400
50200	(GPZ)	6200N
50300	(GPZ)	6300N
51100	(FAG, Koyo, Nachi, NSK, NTN, Rollway, SKF, SNR, SRO, Steyr)	51100
51100	(RHP)	51100
51200	(FAG, Koyo, Nachi, NSK, NTN, Rollway, SKF, SNR, SRO, Steyr)	51200
51200	(RHP)	51200
5200(C)	(Sealmaster)	UC
52MS	(Fafnir)	PF205
52MST	(Fafnir)	PFL205
52MSTR	(Fafnir)	PFT205
5300(C)	(Sealmaster)	UC
56200	(FAG)	UC
5AS08-1-1/8	(NTN)	W208PP5
6000	(FAG, GMN, Hoffmann, Koyo, Nachi, NSK, NTN, Rollway, SKF, SNR, Steyr)	6000
6000	(GPZ)	E
6000	(RHP)	6000
6000-2RS	(FAG, GMN, Rollway, SKF)	6000-2RS
6000-2RS	(RHP)	6000-2RS
6000-2Z	(FAG, GMN, Rollway, SKF)	6000-ZZ
6000-2Z	(RHP)	6000-ZZ
6000E	(SNR)	6000RS
6000EE	(SNR)	6000-2RS
6000K	(Hoffmann)	6000N
6000KR	(Hoffmann)	6000NR
6000LL	(NTN)	6000-2RS
6000LL	(FAG, GMN, NTN, Rollway, SKF)	6000N
6000N	(RHP)	6000N
6000NR	(FAG, GMN, Koyo, Nachi, NSK, NTN, Rollway, SKF, SNR)	6000NR
6000NR	(RHP)	6000NR
6000P	(Hoffmann)	6000Z
6000PP	(Hoffmann)	6000-ZZ
6000RS	(FAG, GMN, Hoffmann, Rollway, SKF)	6000RS
6000RS	(RHP)	6000RS
6000RSS	(Hoffmann)	6000-2RS
6000X	(SRO)	6000
6000XZ	(SRO)	6000Z
6000XZZ	(SRO)	6000-ZZ

SERIES	MANUFACTURER	KML
6000Z	(FAG, GMN, Nachi, NTN, Rollway, SKF, SNR, Steyr)	6000Z
6000Z	(RHP)	6000Z
6000ZZ	(Nachi, NTN, SNR)	6000-ZZ
60100	(GPZ)	6000Z
60200	(GPZ)	6200Z
60300	(GPZ)	6300Z
61800	(SKF, INA)	6800
61900	(SKF, INA)	6900
6200	(FAG, NSK, NTN, Rollway, SKF, SNR, SRO, Steyr)	6200
6200	(RHP)	6200
6200-2GB	(Steyr)	6200-2RS
6200-2NS	(Nachi)	6200-2RS
6200-2RS	(FAG, GMN, Koyo, Rollway, SKF, SRO)	6200-2RS
6200-2RS	(RHP)	6200-2RS
6200-2Z	(FAG, GMN, Rollway, SKF, Steyr)	6200-ZZ
6200-2Z	(RHP)	6200-ZZ
6200DD	(NSK)	6200-2RS
6200E	(SNR)	6200RS
6200EE	(SNR)	6200-2RS
6200EES	(Steyr)	CS200DDU
6200GB	(Steyr)	6200RS
6200LL	(NTN)	6200-2RS
6200N	(FAG, GMN, NTN, Rollway, SKF)	6200N
6200N	(RHP)	6200N
6200NR	(FAG, GMN, Koyo, Nachi, NSK, NTN, Rollway, SKF, SNR, SRO, Steyr)	6200NR
6200NR	(RHP)	6200NR
6200NS	(Nachi)	6200RS
6200RS	(FAG, GMN, Koyo, Rollway, SKF, SRO)	6200RS
6200RS	(RHP)	6200RS
6200Z	(FAG, GMN, Koyo, Nachi, NSK, NTN, Rollway, SKF, SNR, SRO, Steyr)	6200Z
6200Z	(RHP)	6200Z
6200ZN	(RHP)	6200ZN
6200ZNR	(RHP)	6200ZNR
6200ZZ	(Koyo, Nachi, NSK, NTN, SNR, SRO)	6200-ZZ
62MS	(Fafnir)	PF206
62MST	(Fafnir)	PFL206
62MSTR	(Fafnir)	PFT206
6300	(FAG, GMN, Koyo, Nachi, NSK, NTN, Rollway, SKF, SNR, SRO, Steyr)	6300
6300	(RHP)	6300
6300	(RHP)	6300
6300-2GB	(Steyr)	6300-2RS
6300-2NS	(Nachi)	6300-2RS
6300-2RS	(FAG, GMN, Koyo, Rollway, SKF)	6300-2RS
6300-2RS	(RHP)	6300-2RS
6300-2Z	(FAG, GMN, Rollway, SKF, Steyr)	6300-ZZ
6300-2Z	(RHP)	6300-ZZ
6300DD	(NSK)	6300-2RS
6300E	(SNR)	6300RS
6300EE	(SNR)	6300-2RS
6300GB	(Steyr)	6300RS
6300LL	(NTN)	6300-2RS
6300N	(FAG, GMN, NTN, Rollway, SKF)	6300N
6300N	(RHP)	6300N
6300NR	(FAG, GMN, Koyo, Nachi, NSK, NTN, Rollway, SKF, SNR, SRO, Steyr)	6300NR
6300NR	(RHP)	6300NR
6300NS	(Nachi)	6300RS



INTERCHANGE

SERIES	MANUFACTURER	KML
6300RS	(FAG, GMN, Koyo, Rollway, SKF)	6300RS
6300RS	(RHP)	6300RS
6300Z	FAG, GMN, Koyo, Nachi, NSK, NTN, Rollway, SKF, SNR, SRO, Steyr)	6300Z
6300Z	(RHP)	6300Z
6300ZN	(RHP)	6300ZN
6300ZNR	(RHP)	6300ZNR
6300ZZ	(Koyo, Nachi, NSK, NTN, SNR, SRO)	6300-ZZ
630300	(RIV)	UC
6400	(FAG, Koyo, Nachi, NSK, NTN, Rollway, SKF, SRO, Steyr)	6400
6400	(RHP)	6400
6AS08-1-1/8D1	(NTN)	W208PP8
7000	(SKF)	7000
7000	(RHP)	7000
7000100	(GPZ)	16000
7100-KR	(MRC)	7000
7200	(BCA, FAG, Federal, GMN, Koyo, MRC, Nachi, NSK, NTN, SKF, SNR, SRO, Steyr)	7200
7200	(Hoover)	6200Z
7200	(RHP)	7200
7200B	(FAG, Koyo, Nachi, NSK, NTN, Rollway, SKF, SNR)	7200B
7200B	(RHP)	7200B
7200BEP	(SKF)	7200BETN
7200BETN	(RHP)	7200BETN
7200P	(MRC)	7200B
7200W	(Fafnir)	7200
72MS	(Fafnir)	PF207
72MST	(Fafnir)	PFL207
72MSTR	(Fafnir)	PFT207
7300	(BCA, FAG, Federal, Koy, Nachi, NSK, NTN, SKF, SNR, SRO, Steyr)	7300
7300	(Hoover)	6300Z
7300	(RHP)	7300
7300B	(FAG, Koyo, Nachi, NSK, NTN, SKF, SNR)	7300B
7300B	(RHP)	7300B
7300BEP	(SKF)	7300BETN
7300BETN	(RHP)	7300BETN
7300W	(Fafnir)	7300
73LOO	(Hoover, NDH)	6000Z
7500	(NDH)	6200Z
7600	(NDH)	6300Z
76200	(FAG)	CS200DDU
77200	(Hoover)	6200-ZZ
77300	(Hoover)	6300-ZZ
773LOO	(Hoover, NDH)	6000-ZZ
77500	(NDH)	6200-ZZ
77600	(NDH)	6300-ZZ
7AC10-1-15/16D1	(NTN)	W210PP2
7AC11-2-3/16D1	(NTN)	W211PP2
7AS10-1-1/8D1	(NTN)	GW210PP4
7AS11-1-1/2D1	(NTN)	W211PP3
80100	(GPZ)	6000-ZZ
80200	(GPZ)	6200-ZZ
80MS	(Fafnir)	PF208
8100	(GPZ)	51100
8200	(GPZ)	51200
85MS	(Fafnir)	PF209
90MS	(Fafnir)	PF210
9100	(Federal)	6000
9100(N)P	(Fafnir)	6000RS
9100(N)PP	(Fafnir)	6000-2RS
9100CG	(Federal)	6000NR
9100F	(Federal)	6000Z
9100FF	(Federal)	6000-ZZ
9100K	(Fafnir)	6000
9100KD	(Fafnir)	6000Z

SERIES	MANUFACTURER	KML
9100KDD	(Fafnir)	6000-ZZ
9100KG	(Fafnir)	6000NR
9200	(Hoover)	6000RS
92200	(GPZ)	NUP200
92300	(GPZ)	NUP300
9300	(Hoover)	6300RS
93LOO	(Hoover)	6000RS
99200	(Hoover)	6200-2RS
99300	(Hoover)	6300-2RS
993LOO	(Hoover)	6000-2RS
A	(Hoffmann)	E
A	(RIV)	6200
A1200WB	(NDH)	NU200
A1300WB	(NDH)	NU300
AAJ	(RIV)	2200
AAJK	(RIV)	2200K
AANOn	(RIV)	5200
AARS	(RIV)	22200
AD	(RIV)	6200N
ADY	(RIV)	6200NR
AEL200	(NTN)	SA200G
AELF200	(NTN)	SAF
AELFC200	(NTN)	SAFC
AELFD200	(NTN)	SAFD
AELFL200	(NTN)	SAFL
AELP200	(NTN)	SAPE
AELPF200	(NTN)	SAPF
AELPFL200	(NTN)	SAPFL
AELPL200	(NTN)	SAAK
AELPP200	(NTN)	SAPP
AELRPP200	(NTN)	SARPP
AELS200	(NTN)	CSA
AELT200	(NTN)	SAT
AELUP200	(NTN)	SAPA
AJ	(RIV)	1200
AJK	(RIV)	1200K
ALF200	(FYH)	SALF
ALN	(RIV)	6200-2RS
ALP200	(FYH)	SAPE
ANRS	(RIV)	23200
AOn	(RIV)	7200
APL	(RIV)	6200Z
APLD	(RIV)	6200ZN
APLY	(RIV)	6200ZNR
APPL	(RIV)	6200-ZZ
AS200	(NTN)	SB200G
AS4508AD	(NDH)	W208PP8
AS4508BD	(NDH)	W208PP9
AS4508BE	(NDH)	W208PPB9
AS4508BH	(NDH)	W208PP5
AS4508BJ	(NDH)	W208PPB5
AS4508BK	(NDH)	W208PPB6
AS4508EF	(NDH)	W208PPB8
AS4508FF	(NDH)	W208PPB13
AS4509A	(NDH)	W209PPB5
AS4509BD	(NDH)	W209PPB4
AS4509BE	(NDH)	W209PPB2
AS4509EF	(NDH)	W209PPB8
AS4510B	(NDH)	W210PP4
AS4510D	(NDH)	W210PPB5
AS4510F	(NDH)	W210PPB4
AS4511BD	(NDH)	W211PP3
AS4511BE	(NDH)	W211PPB3
AS4511C	(NDH)	W211PP2
ASF200	(NTN)	SBF
ASF200	(NTN)	SBFC
ASF200	(NTN)	SBFD
ASF200	(NTN)	SBFL
ASF200	(NTN)	SBPE
ASF200	(NTN)	SBPF
ASF200	(NTN)	SBPFL
ASF200	(NTN)	SBAK
ASF200	(NTN)	SBPP
ASF200	(NTN)	SBRPP



INTERCHANGE

SERIES	MANUFACTURER	KML
ASS200	(NTN)	CSB
AST200	(NTN)	SBT
ASUP200	(NTN)	SBPA
AY-NPPB	(INA)	SB
B	(Asahi)	SB200G
B	(RIV)	6300
B100	(Browning)	SB
B200	(Browning)	SA
B220	(Browning)	HC
B250	(Browning)	UC
B350	(Browning)	UCX
B-B	(Nachi)	SB200G
BBJ	(RIV)	2300
BBOn	(RIV)	5300
BBRS	(RIV)	22300
BD	(RIV)	6300N
BDY	(RIV)	6300NR
BJ	(RIV)	1300
BLF200	(FYH)	SBLF
BLN	(RIV)	6300-2RS
BLP200	(FYH)	SBPE
BOn	(RIV)	7300
BPF	(Asahi)	SBPF
BPF-B	(Nachi)	SBPF
BPFL	(Asahi)	SBPFL
BPL	(RIV)	6300Z
BPLD	(RIV)	6300ZN
BPLY	(RIV)	6300ZNR
BPP	(Asahi)	SBPP
BPP-B	(Nachi)	SBPP
BPPL	(RIV)	6300-ZZ
BRS	(RIV)	21300
BU1200L	(NDH)	NF200
BU1200Z	(NDH)	N200
BU1300L	(NDH)	NF300
BU1300Z	(NDH)	N300
C	(RIV)	6400
C25	(McGill)	UCPE
C35	(McGill)	UCPX
CB200	(Koyo)	CS200DDU
CL25	(McGill)	UCAK
CNP	(RHP)	UCTB
CR	(Fafnir, INA)	CR
CS-DDU	(NSK)	CS200DDU
CS-LLU	(NTN)	CS200DDU
CTL1000	(Timken)	K1000
CTL1063	(Timken)	K1063
CTL3500	(Timken)	K3500
DAAVP	(RIV)	NU2200
DAPV	(RIV)	N200
DAQV	(RIV)	NF200
DAVP	(RIV)	NU200
DAVQ	(RIV)	NJ200
DBBVP	(RIV)	NU2300
DBPV	(RIV)	N300
DBQV	(RIV)	NF300
DBVP	(RIV)	NU300
DBVQ	(RIV)	NJ300
DC208TT10	(BCA)	W208PP10
DC208TT5	(BCA)	W208PP5
DC208TT6	(BCA)	W208PP6
DC208TT8	(BCA)	W208PP8
DC210TT2	(BCA)	W210PP2
DC210TT4	(BCA)	W210PP4
DC210TTR4	(BCA)	GW210PP4
DC211TT2	(BCA)	W211PP2
DC211TT3	(BCA)	W211PP3
DC211TTR2	(BCA)	GW211PP2
DC211TTR3	(BCA)	GW211PP3
DHU1-1/2R-209	(Fafnir)	ST491B
DN100	(FBC)	6000-2RS
DN200	(FBC)	6200-2RS
DN2000	(FBC)	RLS-2RS
DN300	(FBC)	6300-2RS

SERIES	MANUFACTURER	KML
DN3000	(FBC)	RMS-2RS
DNF245/10	(RHP)	W209PPB8
DS208TT13	(BCA)	W208PPB13
DS208TT2A	(BCA)	W208PPB2
DS208TT4	(BCA)	W208PPB4
DS208TT5	(BCA)	W208PPB5
DS208TT6	(BCA)	W208PPB6
DS208TT7	(BCA)	W208PPB7
DS208TT8	(BCA)	W208PPB8
DS208TT9	(BCA)	W208PPB9
DS208TTR5	(BCA)	GW208PPB5
DS208TTR6	(BCA)	GW208PPB6
DS208TTR8	(BCA)	GW208PPB8
DS209TT2	(BCA)	W209PPB2
DS209TT4	(BCA)	W209PPB4
DS209TT5	(BCA)	W209PPB5
DS209TTR10	(BCA)	GW209PPB10
DS209TTR2	(BCA)	GW209PPB2
DS209TTR4	(BCA)	GW209PPB4
DS209TTR5	(BCA)	GW209PPB5
DS209TTR8	(BCA)	GW209PPB8
DS210TT2	(BCA)	W210PPB2
DS210TT4	(BCA)	W210PPB4
DS210TT5	(BCA)	W210PPB5
DS210TT6	(BCA)	W210PPB6
DS210TTR2	(BCA)	GW210PPB2
DS210TTR4	(BCA)	GW210PPB4
DS211TT2	(BCA)	W211PPB2
DS211TT3	(BCA)	W211PPB3
DS211TTR2	(BCA)	GW211PPB2
DS211TTR3	(BCA)	GW211PPB3
E	(FAG, Koyo, Nachi, NSK, SKF, SRO, Steyr)	E
E	(RHP)	E
EE	(FAG, Koyo, Nachi, NTN, SKF)	R
EL	(RIV)	16000
ELL	(RIV)	6000
ELN	(RIV)	16000
ELP	(RIV)	51100
EN200	(NSK)	SA
ENFL200	(NSK)	SAFL
ENP200	(NSK)	SAPE
ENPF200	(NSK)	SAPF
ENPP200	(NSK)	SAPP
ENPPR200	(NSK)	SARPP
ENR200	(NSK)	CSA
ER	(McGill, Sealmaster, INA)	SER
ER200	(FYH)	SER
ERS	(RIV)	23000
EW200	(NSK)	HC
EWf200	(NSK)	HCF
EWFC200	(NSK)	HCFC
EWFH200	(NSK)	HCFS
EWFL200	(NSK)	HCFL
EWFLH200	(NSK)	HCFT
EWLP200	(NSK)	HCAK
EWP200	(NSK)	HCPE
EWPA200	(NSK)	HCPA
EWT200	(NSK)	HCT
F3Y200N	(Link Belt)	HCFS
FB	(Federal)	E
FB16200	(FAG)	SAPF
FB220	(Browning)	HCFS
FB230	(Browning)	HCFT
FB250	(Browning)	UCF
FB260	(Browning)	UCFL
FB350	(Browning)	UCFX
FB56200	(FAG)	UCPF
FC	(RHP)	UCFC
FC2-25	(McGill)	UCFL
FC2-35	(McGill)	UCFLX
FC4-25	(McGill)	UCF
FC4-35	(McGill)	UCFX
FC-A	(RHP)	SBFC



INTERCHANGE

SERIES	MANUFACTURER	KML
FC-DEC	(RHP)	HCFC
FC-EC	(RHP)	SAFC
FD209RA	(BCA)	ST491A
FD209RB	(BCA)	ST491B
F-FM	(SKF)	SAPF
FG16200	(FAG)	SAF
FG200ER(U)	(Asahi, Nachi)	HC
FG56200	(FAG)	UCF
FGAK200	(Asahi, Nachi)	HCAK
FH200ER(U)	(Asahi, Nachi)	SA
FHPR200	(Nachi)	SARPP
FHR200	(PEER)	CSA
FHR200ER(U)	(Asahi)	CSA
FHS200	(PEER)	SB
FHS200G	(PEER)	SB200G
FHSR200	(PEER)	CSB
FLCT	(Fafnir)	SAFD
FLCTE	(INA)	SAFD
FLCTEY	(INA)	SBFD
FNR-R	(BCA)	SAF
FT-FM	(SKF)	SAPFL
FTYB-S(D)	(SKF)	UCFL
FX3Y200N	(Link Belt)	HCFT
FY-CB	(SKF)	SAF
FY-FM	(SKF)	SAF
FYGF-FJ	(SKF)	SAFC
FYGF-SD	(SKF)	UCFC
FYGF-W	(SKF)	HCFC
FY-S	(SKF)	UCF
FYTB-CB	(SKF)	SAFL
FYTB-FJ	(SKF)	SAFL
FYTB-FM	(SKF)	SAFL
FYTB-L(D)	(SKF)	UCFL
FYTB-TF	(SKF)	UCFL
FYTB-TM	(SKF)	UCFL
FYTB-WM	(SKF)	HCFT
FY-TF	(SKF)	UCF
FYTF-FJ	(SKF)	SAFD
FY-TM	(SKF)	UCF
FY-WM	(SKF)	HCFS
FY-X	(SKF)	HCFS
G100MSA	(Fafnir)	PF211G
G52MSA	(Fafnir)	PF205G
G62MSA	(Fafnir)	PF206G
G72MSA	(Fafnir)	PF207G
G80MSA	(Fafnir)	PF208G
G85MSA	(Fafnir)	PF209G
G90MSA	(Fafnir)	PF210G
GA1100-2RSA	(Koyo)	HC
GAP1100B	(Koyo)	SAPE
GAPL1100B	(Koyo)	HCAK
GARA100-2RSA	(Koyo)	SA200G
GARAF100A	(Koyo)	SAF
GARAF1100A	(Koyo)	SAFL
GARAP100A	(Koyo)	SAPE
GARAP1100A	(Koyo)	SAAK
GAY-NPPB	(INA)	SB200G
GC-KRRB	(Fafnir)	UC
GC-KRRG2	(Fafnir)	SER
GE	(SKF, INA, Nachi)	GE
GE-KRRB	(Fafnir, INA)	HC
GEM200	(NSK)	SA200G
GEMTR200J	(NSK)	SAST or SAT
GEZ	(SKF, INA)	GEZ
GFF1100B	(Koyo)	HCFS
GFLL1100B	(Koyo)	HCFT
G-KRRB	(Fafnir, INA)	HC
GLCTE	(INA)	SAFD
GLCTEY	(INA)	SBFD
GRA	(Fafnir)	SAPF200G
GRAE-NPPB	(Fafnir, INA)	SA200G
GRA-NPPB	(INA)	SA200G
GRA-RRB	(Fafnir)	SA200G
GRFD	(Fafnir)	HCRAFT
GRFTD	(Fafnir)	HCLF

SERIES	MANUFACTURER	KML
GRR	(Fafnir)	HCPF200G
GVFD	(Fafnir)	SARFT
GVFTD	(Fafnir)	SALF
GW208PPB5	(Fafnir)	GW208PPB5
GW208PPB6	(Fafnir)	GW208PPB6
GW208PPB8	(Fafnir)	GW208PPB8
GW209PPB11	(Fafnir)	GW209PPB11
GW209PPB2	(Fafnir)	GW209PPB2
GW209PPB4	(Fafnir)	GW209PPB4
GW209PPB5	(Fafnir)	GW209PPB5
GW209PPB8	(Fafnir)	GW209PPB8
GW210PP4	(Fafnir)	GW210PP4
GW210PPB2	(Fafnir)	GW210PPB2
GW210PPB4	(Fafnir)	GW210PPB4
GW211PP2	(Fafnir)	GW211PP2
GW211PP3	(Fafnir)	GW211PP3
GW211PPB2	(Fafnir)	GW211PPB2
GW211PPB3	(Fafnir)	GW211PPB3
GYA-RRB	(Fafnir)	SB200G
GYE-KRRB	(INA)	UC
GY-KRRB	(INA)	UC
HFC	(Koyo)	UCFCX
HJ	(R&M)	6400
HPC100GP	(BCA)	206KRR6
HPE	(NDH)	SAPE
HPS	(NDH)	UCPE
HPS100GP	(BCA)	206KRRB6
HV-(M)	(Koyo)	UCSTX or UCTX
J202KRR8	(Fafnir)	202RRE
JRN1200WB	(NDH)	NUP200
JRN1300WB	(NDH)	NUP300
KLNJ	(R&M)	R
KLNJ	(RHP)	R
KLNJ-2RS	(RHP)	R-2RS
KLNJ-ZZ	(RHP)	R-ZZ
KLNJ-D	(R&M)	R-Z
KLNJ-DD	(R&M)	R-ZZ
KLNJ-RS	(RHP)	R-2RS
KLNJ-WSR	(R&M)	R-2RS
KLNJ-WSR	(R&M)	R-2RS
KLNJ-Z	(RHP)	R-Z
L200	(Fafnir)	1200
L300	(Fafnir)	1300
L6200	(Fafnir)	2200
L6300	(Fafnir)	2300
LC	(Koyo)	UCC
LCR	(Fafnir, INA)	LCR
LE-100	(Browning)	SA
LF	(Sealmaster)	SBFRFT
LFT	(Sealmaster)	SBFL
LFTC-A	(RHP)	SBFD
LFTC-EC	(RHP)	SAFD
LJ	(R&M)	RLS
LJ	(RHP)	RLS
LJ-2RS	(RHP)	RLS-2RS
LJ-ZZ	(RHP)	RLS-ZZ
LJ-D	(R&M)	6200Z or RLS-Z
LJ-DD	(R&M)	6200-ZZ or RLS-ZZ
LJ-G	(R&M)	6200N or RLS-N
LJ-GWC	(R&M)	6200NR or RLS-NR
LJ-N	(RHP)	RLS-N
LJ-NR	(RHP)	RLS-NR
LJ-RS	(RHP)	RLS-RS
LJT	(R&M)	7200
LIT-X6	(R&M)	7200B
LJ-WSR	(R&M)	6200-RS or RLS-RS
LJ-WSRR	(R&M)	6200-2RS or RLS-2RS
LJ-Z	(RHP)	RLS-Z
LLRJ	(R&M)	NU200
LLRJA	(R&M)	NJ200
LLRJB	(R&M)	NUP200
LP	(RIV)	51200
LPB	(RHP)	UCPP
LPB-A	(RHP)	SBPP
LPB DEC	(RHP)	HCPP

[Back to the Top](#)



INTERCHANGE

SERIES	MANUFACTURER	KML
LPB-EC	(RHP)	SAPP
LPBR	(RHP)	UCRPP
LPBR-A	(RHP)	SBRPP
LPBR-EC	(RHP)	SARPP
LRCR	(Fafnir, PEER)	LRCR
LRCSM	(Fafnir, PEER)	LRCSM
LRJ	(R&M)	N200
LRJA	(R&M)	NF200
LRP	(Sealmaster)	SBRPP
LRS	(RIV)	23100
LS	(FAG, Federal, Hoffmann, Pollard)	RLS
LS-C	(Pollard)	RLS-N
LS-C(W/C)	(Pollard)	RLS-NR
LS-K	(Hoffmann)	RLS-N
LS-KR	(Hoffmann)	RLS-NR
LS-P	(Hoffmann)	RLS-Z
LS-P	(Pollard)	RLS-RS
LS-PP	(Hoffmann)	RLS-ZZ
LS-PP	(Pollard)	RLS-2RS
LS-RS	(Hoffmann)	RLS-RS
LS-RSS	(Hoffmann)	RLS-2RS
LS-Z	(Pollard)	RLS-Z
LS-ZZ	(Pollard)	RLS-ZZ
LV-(M)	(Koyo)	UCST or UCT
M	(R&M)	E
MA1200EL	(Bower)	NU200
MA1300EL	(Bower)	NU300
MCS200	(Rollway)	N200
MFC	(Sealmaster)	UCFCX
MFC	(RHP)	UCFCX
MJ	(R&M)	6300
MJ	(RHP)	RMS
MJ-2RS	(RHP)	RMS-2RS
MJ-ZZ	(RHP)	RMS-ZZ
MJ-D	(R&M)	6300Z
MJ-DD	(R&M)	6300-ZZ
MJ-G	(R&M)	6300N
MJ-GWC	(R&M)	6300NR
MJ-N	(RHP)	RMS-N
MJ-NR	(RHP)	RMS-NR
MJ-RS	(RHP)	RMS-RS
MJT	(R&M)	7300
MJT-X6	(R&M)	7300B
MJ-WSR	(R&M)	6300-RS
MJ-WSRR	(R&M)	6300-2RS
MJ-Z	(RHP)	RMS-Z
ML200	(Rollway)	NF200
ML300	(Rollway)	NF300
MMRJ	(R&M)	NU300
MMRJA	(R&M)	NJ300
MMRJB	(R&M)	NUP300
MP	(Sealmaster)	UCPX
MP	(RHP)	UCPX
MR1200EL	(Bower)	NJ200
MR1300EL	(Bower)	NJ300
MR200C	(MRC)	N200
MR200D	(MRC)	NF200
MR200E	(MRC)	NU200
MR200G	(MRC)	NJ200
MR300C	(MRC)	N300
MR300D	(MRC)	NF300
MR300E	(MRC)	NU300
MR300G	(MRC)	NJ300
MRJ	(R&M)	N300
MRJA	(R&M)	NF300
MS	(FAG, Federal, Hoffmann, Pollard)	RMS
MSC	(Sealmaster)	UCCX
MSC	(RHP)	UCCX
MS-C	(Pollard)	RMS-N
MS-C(W/C)	(Pollard)	RMS-NR
MSC300	(Rollway)	N300
MSF	(Sealmaster)	UCFX

SERIES	MANUFACTURER	KML
MSF	(RHP)	UCFX
MSF1000-K	(RHP)	UKF
MSFT	(Sealmaster)	UCFLX
MSFT	(RHP)	UCFLX
MSFT-1000-K	(RHP)	UKFL
MS-K	(Hoffmann)	RMS-N
MS-KR	(Hoffmann)	RMS-NR
MSN1200EL	(Bower)	NUP200
MSN1300EL	(Bower)	NUP300
MS-P	(Hoffmann)	RMS-Z
MS-P	(Pollard)	RMS-RS
MS-PP	(Hoffmann)	RMS-ZZ
MS-PP	(Pollard)	RMS-2RS
MS-RS	(Hoffmann)	RMS-RS
MS-RSS	(Hoffmann)	RMS-2RS
MST	(Sealmaster)	UCSTX or UCTX
MST	(RHP)	UCSTX
MST1000-K	(RHP)	UKTX
MS-Z	(Pollard)	RMS-Z
MS-ZZ	(Pollard)	RMS-ZZ
MU1200CL	(Bower)	N200
MU1200DL	(Bower)	NF200
MU1300CL	(Bower)	N300
MU1300DL	(Bower)	NF300
MU200	(Rollway)	NUP200
MU300	(Rollway)	NUP300
MUC200	(Rollway)	NU200
MUC300	(Rollway)	NU300
MUL200	(Rollway)	NJ200
MUL300	(Rollway)	NJ300
N	(RIV)	E
N1000	(RHP)	N1000
N1800	(Fafnir)	51200
N200	(FAG, Koyo, Nachi, NSK, NTN, SKF, SRO, Steyr)	N200
N200	(RHP)	N200
N200B	(SNR)	N200
N200E/M6	(Steyr)	N200EM
N200E/TGP	(Steyr)	N200ETN
N200ECM	(SKF)	N200EM
N200ECP	(SKF)	N200ETN
N200EM	(RHP)	N200EM
N200ETN	(RHP)	N200ETN
N200TVP2	(FAG)	N200ETN
N300	(FAG, Koyo, Nachi, NSK, NTN, SKF, SRO, Steyr)	N300
N300	(RHP)	N300
N300B	(SNR)	N300
N300E/M6	(Steyr)	N300EM
N300E/TGP	(Steyr)	N300ETN
N300ECM	(SKF)	N300EM
N300ECP	(SKF)	N300ETN
N300EM	(RHP)	N300EM
N300ETN	(RHP)	N300ETN
N300TVP2	(FAG)	N300ETN
NA200	(FYH)	HC
NANF200	(FYH)	HCFS
NANFL200	(FYH)	HCFT
NAP200	(FYH)	HCPE
NAPK200	(FYH)	HCAK
NASL200	(FYH)	HCAK
NAT-E	(FYH)	HCST
ND	(NDH)	E
NF200	(FAG, Nachi, NSK, NTN, SKF, SRO)	NF200
NF200	(RHP)	NF200
NF200E/M6	(Steyr)	NF200EM
NF200E/TGP	(Steyr)	NF200ETN
NF200ECM	(SKF)	NF200EM
NF200ECP	(SKF)	NF200ETN
NF200EM	(RHP)	NF200EM
NF200ETN	(RHP)	NF200ETN
NF200TVP2	(FAG)	NF200ETN
NF300	(FAG, NSK, NTN, SKF, SRO)	NF300



INTERCHANGE

SERIES	MANUFACTURER	KML
NF300	(RHP)	NF300
NF300E/M6	(Steyr)	NF300EM
NF300E/TGP	(Steyr)	NF300ETN
NF300ECM	(SKF)	NF300EM
NF300ECP	(SKF)	N300ETN
NF300EM	(RHP)	NF300EM
NF300ETN	(RHP)	NF300ETN
NF300TVP2	(FAG)	N200ETN
NJ200	(FAG, Koyo, Nachi, NSK, NTN, SKF, SRO, Steyr)	NJ200
NJ200	(RHP)	NJ200
NJ200B	(SNR)	NJ200
NJ200E/M6	(Steyr)	NJ200EM
NJ200E/TGP	(Steyr)	NJ200ETN
NJ200ECM	(SKF)	NJ200EM
NJ200ECP	(SKF)	NJ200ETN
NJ200EM	(RHP)	NJ200EM
NJ200ETN	(RHP)	NJ200ETN
NJ200TVP2	(FAG)	NJ200ETN
NJ300	(FAG, Koyo, Nachi, NSK, NTN, SKF, SRO, Steyr)	NJ300
NJ300	(RHP)	NJ300
NJ300B	(SNR)	NJ300
NJ300E/M6	(Steyr)	NJ300EM
NJ300E/TGP	(Steyr)	NJ300ETN
NJ300ECM	(SKF)	NJ300EM
NJ300ECP	(SKF)	NJ300ETN
NJ300EM	(RHP)	NJ300EM
NJ300ETN	(RHP)	NJ300ETN
NJ300TVP2	(FAG)	NJ300ETN
NLDJ	(R&M)	2200
NLJ	(R&M)	1200
NMDJ	(R&M)	2300
NMJ	(R&M)	1300
NP	(Sealmaster)	UCPE
NP	(RHP)	UCPE
NP-1000-K	(RHP)	UKP
NP-A	(RHP)	SBPE
NP-DEC	(RHP)	HCPE
NP-EC	(RHP)	SAPE
NU200	(FAG, Koyo, Nachi, NSK, NTN, SKF, SRO, Steyr)	NU200
NU200	(RHP)	NU200
NU200B	(SNR)	NU200
NU200E/M6	(Steyr)	NU200EM
NU200E/TGP	(Steyr)	NU200ETN
NU200ECM	(SKF)	NU200EM
NU200ECP	(SKF)	NU200ETN
NU200EM	(RHP)	NU200EM
NU200ETN	(RHP)	NU200ETN
NU200TVP2	(FAG)	NU200ETN
NU2200	(FAG, Koyo, Nachi, NSK, NTN, Rollway, SKF, SRO, Steyr)	NU2200
NU2200	(RHP)	NU2200
NU2300	(FAG, Koyo, Nachi, NSK, NTN, Rollway, SKF, SRO, Steyr)	NU2300
NU2300	(RHP)	NU2300
NU300	(FAG, Koyo, Nachi, NSK, NTN, SKF, SRO, Steyr)	NU300
NU300	(RHP)	NU300
NU300E/M6	(Steyr)	NU300EM
NU300E/TGP	(Steyr)	NU300ETN
NU300ECM	(SKF)	NU300EM
NU300ECP	(SKF)	NU300ETN
NU300EM	(RHP)	NU300EM
NU300ETN	(RHP)	NU300ETN
NU300TVP2	(FAG)	NU300ETN
NUP200	(FAG, SKF, Steyr)	NUP200
NUP200	(RHP)	NUP200
NUP200B	(SNR)	NUP200
NUP200E/M6	(Steyr)	NUP200EM
NUP200E/TGP	(Steyr)	NUP200ETN
NUP200ECM	(SKF)	NUP200EM

SERIES	MANUFACTURER	KML
NUP200ECP	(SKF)	NUP200ETN
NUP200EM	(RHP)	NUP200EM
NUP200ETN	(RHP)	NUP200ETN
NUP200TVP2	(FAG)	NUP200ETN
NUP300	(FAG, SKF, Steyr)	NUP300
NUP300	(RHP)	NUP300
NUP300B	(SNR)	NUP300
NUP300E/M6	(Steyr)	NUP300EM
NUP300E/TGP	(Steyr)	NUP300ETN
NUP300ECM	(SKF)	NUP300EM
NUP300ECP	(SKF)	NUP300ETN
NUP300EM	(RHP)	NUP300EM
NUP300TVP2	(FAG)	NUP300ETN
P200	(Pollard)	1200
P204RR6	(Fafnir)	Z9504RST
P300	(Pollard)	1300
P3200	(Pollard)	2200
P3300	(Pollard)	2300
P3Y200N	(Link Belt)	HCPE
PAK	(INA)	SAAK
PAKY	(INA)	SAAK
PASE	(INA)	SAPE
PASEY	(INA)	SBPE
PB	(Fafnir, INA)	SAPP
PB	(Koyo)	SB200G
PB220	(Browning)	HCAK
PB221	(Browning)	HCPE
PB250	(Browning)	UCAK
PB251	(Browning)	UCPE
PB350	(Browning)	UCPX
PBY	(INA)	SBPP
P-CA	(SKF)	SAPP
PCJ	(INA)	SAF
PCJT	(INA)	SAFT
PCJTY	(INA)	SBFL
PCJY	(INA)	SBF
PDF150/9	(RHP)	W210PP4
PDF150\1-15/16	(RHP)	W210PP2
PDF155/12	(RHP)	W211PP3
PDF155\2-3/16	(RHP)	W211PP2
PDF240/8	(RHP)	W208PP9
PDF240/9	(RHP)	W208PP8
PDNF140\1-3/16	(RHP)	W208PPB4
PDNF145-45	(RHP)	W209PPB2
PDNF150/9	(RHP)	W210PPB4
PDNF150\1-15/16	(RHP)	W210PPB2
PDNF155/12	(RHP)	W211PPB3
PDNF155\2-3/16	(RHP)	W211PPB2
PDNF240/8	(RHP)	W208PPB9
PDNF240/9	(RHP)	W208PPB8
PDNF245/10	(RHP)	W209PPB5
PDNF250/9	(RHP)	W210PPB6
PE	(NDH)	SAAK
PF-A	(Koyo)	SAPF
PF-CA	(SKF)	SAPF
PFD-FM	(SKF)	SAPFT
PFD-TM	(SKF)	UCPFT
PFD-WM	(SKF)	HCPFT
PF-FM	(SKF)	SAPF
P-FJ	(SKF)	SAPP
PF-L(D)	(SKF)	UCPF
P-FM	(SKF)	SAPP
PF-M	(Koyo)	UCPF
PF-PA	(SKF)	SAPF
PFT1100B	(Koyo)	HCPE
PFT-CA	(SKF)	SAPF
PF-TF	(SKF)	UCPF
PFT-FM	(SKF)	SAPFL
PF-TM	(SKF)	UCPF
PFT-TM	(SKF)	UCPFL
PFT-W	(SKF)	HCPFL
PFT-WM	(SKF)	HCPFL
PF-WM	(SKF)	HCPF
PHE	(INA)	SAHA



INTERCHANGE

SERIES	MANUFACTURER	KML
P-L(D)	(SKF)	UCPP
PL3Y200N	(Link Belt)	HCAK
PME	(INA)	SAFC
PMEY	(INA)	SBFC
PNR-R	(BCA)	SAAK
PNR-RS	(BCA)	SAPE
P-R-CA	(SKF)	SBRPP
P-R-FA	(SKF)	SBRPP
P-R-FJ	(SKF)	SARPP
P-R-L	(SKF)	UCRPP
PS	(NDH)	UCPE
PSFT	(INA)	SAFA
PSHE	(INA)	SATB
PSHEY	(INA)	SBTB
P-TF	(SKF)	UCPP
P-TM	(SKF)	UCPP
PTUE	(INA)	SAT
PTUEY	(INA)	SBT
P-W	(SKF)	HCPP
PWG-R	(BCA)	HCAK
PWG-RS	(BCA)	HCPE
P-WM	(SKF)	HCPP
R100	(Hoffmann, Pollard)	N200
R100E	(Hoffmann, Pollard)	NU200
R100F	(Hoffmann, Pollard)	NUP200
R100L	(Hoffmann, Pollard)	NF200
R100P	(Hoffmann, Pollard)	NJ200
R1200WB	(NDH)	NJ200
R1300WB	(NDH)	NJ300
R2FE	(NDH)	SAFL
R2FS	(NDH)	UCFL
R300	(Hoffmann, Pollard)	N300
R300E	(Hoffmann, Pollard)	NU300
R300F	(Hoffmann, Pollard)	NUP300
R300L	(Hoffmann, Pollard)	NJ300
R300P	(Hoffmann, Pollard)	NJ300
R4FE	(NDH)	SAF
R4FS	(NDH)	UCF
RA	(Fafnir, INA)	SAPF
RA100	(Koyo)	SA
RABR	(Fafnir, INA)	SAR
RAE-NPP	(Fafnir, INA)	CSA
RAE-NPPB	(Fafnir, INA)	SA
RAK	(Fafnir, INA)	HCAK
RAKC	(Fafnir)	UCAK
RAKY	(INA)	UCAK
RAL-NPP	(Fafnir)	CSA100
RALT	(INA)	SAPFL
RALTR	(INA)	SAPFT
RA-NPP	(Fafnir, INA)	CSA
RA-NPPB	(INA)	SA
RA-RR	(Fafnir)	CSA
RA-RRB	(Fafnir)	SA
RAS	(Fafnir)	HCPE
RAS4508AE	(NDH)	GW208PPB6
RAS4508BJ	(NDH)	GW208PPB5
RAS4508EF	(NDH)	GW208PPB8
RAS4509A	(NDH)	GW209PPB5
RAS4509BD	(NDH)	GW209PPB4
RAS4509BE	(NDH)	GW209PPB2
RAS4509EF	(NDH)	GW209PPB8
RAS4510B	(NDH)	GW210PP4
RAS4510F	(NDH)	GW210PPB4
RAS4511BD	(NDH)	GW211PP3
RAS4511BE	(NDH)	GW211PPB3
RAS4511C	(NDH)	GW211PP2
RASC	(Fafnir)	UCPE
RASE	(INA)	HCPE
RASEY	(INA)	UCPE
RAT	(Fafnir)	SAPFL
RATR	(Fafnir)	SAPFT
RATRY	(INA)	SBPFT
RATY	(INA)	SBPFL
RAY	(INA)	SBPF
RB	(INA)	HCPP

SERIES	MANUFACTURER	KML
RB200	(FYH)	UC
RBV	(INA)	UCPP
RC	(Fafnir)	HCC
RCC	(Fafnir)	UCC
RCE	(Fafnir)	HCC
RCJ	(Fafnir, INA)	HCFS
SBRPP	(Fafnir)	UCF
RCJSP	(Fafnir)	UCF
RCJT	(Fafnir, INA)	HCFT
RCJTC	(Fafnir)	UCFL
RCJTE	(Fafnir)	HCFT
RCJTP	(Fafnir)	UCFL
RCJTY	(INA)	UCFL
RCJY	(INA)	UCF
RCR	(Fafnir, PEER, INA)	RCR
RCSM	(Fafnir, PEER, INA)	RCSM
RFC	(Fafnir)	UCFCS
RFM	(SKF)	RCSM
RHCM	(Fafnir)	UCHA
RHE	(INA)	HCHA
RHEY	(INA)	UCHA
RHPE	(NDH)	SAPE
RHPS	(NDH)	UCPE
RLS	(Koyo, Nachi, NTN, SKF,	RLS
RLS-2RS	(SKF)	RLS-2RS
RLS-2Z	(SKF)	RLS-ZZ
RLS-RS	(SKF)	RLS-RS
RLS-Z	(SKF)	RLS-ZZ
RME	(INA)	HCFC
RMFY	(INA)	UCFC
RMNE	(Fafnir)	HCFC
RMNEY	(Fafnir)	UCFC
RMS	(Koyo, Nachi, NTN, SKF,	RMS
RPB	(Fafnir)	SARPP
RPE	(NDH)	SAAK
RPS	(NDH)	UCAK
RR	(INA)	HCPF
RRC	(Fafnir)	UCPF
RRT	(Fafnir, INA)	HCPFL
RRTR	(INA)	HCPFT
RRTRY	(INA)	UCPFT
RRTY	(INA)	UCPFL
RRY	(INA)	UCPF
RSA	(Fafnir)	HCPE
RSHE	(Fafnir, INA)	HCTB
RSHEY	(INA)	UCTB
RTU	(Fafnir)	HCST
RTUE	(Fafnir, INA)	HCT
RTUEY	(INA)	UCT
RTUP	(Fafnir)	UCST
RUBRE-100	(Browning)	RCSM
S	(Hoffmann)	R
SA200	(FYH)	SA
SA200	(NBR)	SA200G
SA200F	(FYH)	SA200G
SAA200	(FYH)	CSA
SAF200	(NBR)	SAPF
SAF-FE	(FYH)	SAF
SAFL200	(NBR)	SAPFL
SAFL-FE	(FYH)	SAFL
SAK	(Fafnir)	SBAK
SAP200	(FYH)	SAPE
SAP200	(NBR)	SAPP
SAPF200	(FYH)	SAPF
SAPFL200	(FYH)	SAPFL
SAPP200F	(FYH)	SAPP
SARPP200	(FYH)	SARPP
SAS	(Fafnir)	SBPE
SASL200F	(FYH)	SAAK
SB16200	(FAG)	SAPP
SB200	(FYH, NBR)	SB200G
SB-22200	(McGill)	22200
SB-22300	(McGill)	22300
SBB	(Nachi)	GEZ
SBF200	(NBR)	SBPF
SBFL200	(NBR)	SBPFL
SBP200	(NBR)	SBPP



INTERCHANGE

SERIES	MANUFACTURER	KML
SBPF200	(FYH)	SBPF
SBPFL200	(FYH)	SBPFL
SBPP200F	(FYH)	SBPP
SC	(FYH)	CS
SC	(Dodge)	UCPE
SC	(Sealmaster)	UCC
SC0451IC3	(NTN)	Z9504RST
SC16200	(FAG)	SAPE
SC200	(FYH)	CS200DDU
SCB	(Dodge)	UCAK
SCHB	(RHP)	UCHA
SCJ	(Fafnir)	SBF
SCJT	(Fafnir)	SBFL
SER	(Asahi)	SER
SF	(Torrington)	GEZ
SF	(Sealmaster)	UCF
SF	(RHP)	UCF
SF-A	(RHP)	SBF
SF-DEC	(RHP)	HCFS
SF-EC	(RHP)	SAF
S-FM	(SKF)	SAPP
SFT	(Sealmaster)	UCFL
SFT	(RHP)	UCFL
SFT-A	(RHP)	SBFL
SFT-DEC	(RHP)	HCFT
SFT-EC	(RHP)	SAFL
SG36200	(FAG)	HCPE
SG56200	(FAG)	UCPE
SL	(Sealmaster)	CSB
SL	(FYH)	UCAK
SL	(RHP)	UCAK
SLC	(RHP)	UCC
SLC-DEC	(RHP)	HCC
SL-DEC	(RHP)	HCAK
SLE-100	(Browning)	CSA
SL-EC	(RHP)	SAAK
SLFE	(RHP)	UCPF
SLFE-A	(RHP)	SBPF
SLFE-DEC	(RHP)	HCPE
SLFE-EC	(RHP)	SAPF
SLFL	(RHP)	UCPFL
SLFL-A	(RHP)	SBPFL
SLFL-DEC	(RHP)	HCPFL
SLFL-EC	(RHP)	SAPFL
SLFT	(RHP)	UCPFT
SLFT-DEC	(RHP)	HCPFT
SLFT-EC	(RHP)	SAPFT
SLG	(Sealmaster)	UCAK
SLPE-A	(RHP)	SBPF
SLS-100	(Browning)	CSB
SN100	(FBC)	6000RS
SN200	(FBC)	6200RS
SN2000	(FBC)	RLS-RS
SN300	(FBC)	6300RS
SN3000	(FBC)	RMS-RS
SNP	(RHP)	UCTB
SNP-A	(RHP)	SBTB
SNP-DEC	(RHP)	HCTB
SNP-EC	(RHP)	SATB
SP	(Koyo)	SBPP
SP100A	(Koyo)	SAPP
SRBRPP200	(FYH)	SBRPP
SRC	(Sealmaster)	RCSM
SR-FM	(SKF)	SARPP
SRP	(Sealmaster)	UCRPP
SSF	(Sealmaster)	UCPF
SSF2E-100	(Browning)	SAPFL
SSF2S-100	(Browning)	SBPFL
SSF3E-100	(Browning)	SAPF
SSF3S-100	(Browning)	SBPF
SSF3TE-100	(Browning)	SAPFT
SSF3TS-100	(Browning)	SBPFT
SSF4E-100	(Browning)	SAPF
SSF4S-100	(Browning)	SBPF

SERIES	MANUFACTURER	KML
SSF-E	(Sealmaster)	SAPF
SSFF	(Sealmaster)	SBPF
SSFF-E	(Sealmaster)	SAPF
SSFT	(Sealmaster)	SBPFL
SSFT-E	(Sealmaster)	SAPFL
SSP	(Sealmaster)	UCPP
SSP-E	(SKF)	SAPP
SSPE-100	(Browning)	SAPP
SSPS-100	(Browning)	SBPP
SSRPE-100	(Browning)	SARPP
SSRPS-100	(Browning)	SBRPP
ST	(Sealmaster)	UCST
ST	(RHP)	UCST
ST-A	(RHP)	SBST
ST-DEC	(RHP)	HCST
ST-EC	(RHP)	SAST
SX	(Dodge)	HCPE
SYB-FM	(SKF)	SAAK
SYB-L(D)	(SKF)	UCAK
SYB-TM	(SKF)	UCAK
SYB-WM	(SKF)	HCAK
SY-CB	(SKF)	SAPE
SYF-FM	(SKF)	SATB
SY-FM	(SKF)	SAPE
SYF-TF	(SKF)	UCTB
SYF-WM	(SKF)	HCTB
SYH-CB	(SKF)	SAAK
SYH-X	(SKF)	HCAK
SY-TF	(SKF)	UCPE
SY-TM	(SKF)	UCPE
SY-W	(SKF)	HCPE
SY-WM	(SKF)	HCPE
TB	(SKF)	UCST
TB-(C)	(Sealmaster)	UCTB
TB-CB	(SKF)	SAST
TB-X	(SKF)	HCST
TBY-TM	(SKF)	UCST
TNR-R	(BCA)	SAFL
TSSF	(Sealmaster)	SBPFT
TSSF-E	(Sealmaster)	SAPFT
TU-FJ	(SKF)	SAST
TU-FM	(SKF)	SAST
TU-L(D)	(SKF)	UCST
TU-S(D)	(SKF)	UCST
TU-TF	(SKF)	UCST
TU-TM	(SKF)	UCST
TU-WM	(SKF)	HCST
U100	(Hoffmann)	1200
U100W	(Hoffmann)	2200
U300	(Hoffmann)	1300
U300W	(Hoffmann)	2300
UB200	(NSK)	SB200G
UBF200	(NSK)	SBF
UBFC200	(NSK)	SBFC
UBFD200	(NSK)	SBFD
UBFL200	(NSK)	SBFL
UBLF200	(NSK)	SBLF
UBP200	(NSK)	SBPE
UBPA200	(NSK)	SBPA
UBPF200	(NSK)	SBPF
UBPP200	(NSK)	SBPP
UBPPR200	(NSK)	SBRPP
UC200	(Asahi, FYH, Koyo, Nachi, NBR, NSK, NTN)	UC
UCC200	(NTN, NSK)	UCC
UCEH200	(NSK)	UCHA
UCF200	(Asahi, FYH, Koyo, Nachi, NBR, NSK, NTN)	UCF
UCFA200	(NTN, NSK)	UCFA
UCFC200	(Koyo, NSK, NTN)	UCFC
UCFCF200	(FYH)	UCFC
UCFH200	(NTN)	UCFK
UCFK200	(NSK)	UCFB



INTERCHANGE

SERIES	MANUFACTURER	KML
UCFL200	(Asahi, FYH, Koyo, Nachi, NBR, NSK, NTN)	UCFL
UCFLX	(Asahi, FYH, Koyo, NSK)	UCFLX
UCFX	(Asahi, FYH, Koyo, NSK)	UCFX
UCHA200	(FYH)	UCHA
UCHB	(NTN)	UCHA
UCLF200(U)	(Asahi)	UCF
UCLP200(U)	(Asahi)	UCAK
UCP200	(Asahi, FYH, Koyo, Nachi, NBR, NSK, NTN)	UCPE
UCPA200	(FYH, Koyo, NSK)	UCPA
UCPX	(Asahi, FYH, Koyo, NSK)	UCPX
UCS200	(NTN)	SER
UCS200N	(FYH)	SER
UCST200(U)	(Asahi)	UCST
UCT200	(Asahi, Koyo, Nachi, NBR, NSK, NTN)	UCT
UCT-E	FYH	UCST
UCTX	(Asahi, FYH, Koyo, NSK)	UCTX
UCW200	(Asahi)	UC
UCX	(Asahi, FYH, Koyo, NSK)	UCX
UD200EEA	(Asahi)	SA200G
UDF200A	(Asahi)	SAF
UDFL200B	(Asahi)	SAFL
UDT200A	(Asahi)	SAPE
UDT200B	(Asahi)	SAST
UEL200	(NTN)	HC
UELC200	(NTN)	HCC
UELF200	(NTN)	HCF
UELFC200	(NTN)	HCFC
UELFL200	(NTN)	HCFL
UELFLU200	(NTN)	HCFT
UELFU	(NTN)	HCFS
UELPL200	(NTN)	HCPE
UELPL200	(NTN)	HCAK
UELT200	(NTN)	HCT
UELUP200	(NTN)	HCPA
UH200ER(U)	(Asahi)	SA
UK200	(FYH, Koyo, Nachi, NBR, NSK, NTN)	UK
UKF200	(FYH, Nachi, NBR, NSK, NTN)	UKF
UKFL200	(FYH, Koyo, NBR, NSK, NTN)	UKFL
UKP200	(FYH, Koyo, Nachi, NBR, NSK, NTN)	UKP
UKT200	(FYH, Koyo, NSK, NTN)	UKT
UR200	(NSK)	SER
VAK	(Fafnir)	SAAK
VAS	(Fafnir)	SAPE
VCJ	(Fafnir)	SAF
VCJT	(Fafnir)	SAFL
VE-100	(Browning)	SA
VE-200	(Browning)	HC
VER-200	(Browning)	SER
VF2E-100	(Browning)	SAFL
VF2E-100M	(Browning)	SALF
VF2E-200	(Browning)	HCFT
VF2S-100	(Browning)	SBFL
VF2S-100M	(Browning)	SBLF
VF2S-200	(Browning)	UCFL
VF3E-100	(Browning)	SARFT
VF3S-100M	(Browning)	SBRFT
VF4E-100	(Browning)	SAF
VF4E-200	(Browning)	HCFS
VF4S-100	(Browning)	SBF
VF4S-200	(Browning)	UCF
VFCS-200	(Browning)	UCFCS
VMNE	(Fafnir)	SAFC
VPE-100	(Browning)	SAPE
VPE-200	(Browning)	HCPE
VPLE-100	(Browning)	SAAK
VPLE-200	(Browning)	HCAK
VPLS-100	(Browning)	SBAK
VPLS-200	(Browning)	UCAK
VPS-100	(Browning)	SBPE
VPS-200	(Browning)	UCPE
VS-100	(Browning)	SB

SERIES	MANUFACTURER	KML
VS-200	(Browning)	UC
VSHE	(Fafnir)	SATB
VTB	(Fafnir)	SATB
VTBE	(Browning)	SATB
VTBS-200	(Browning)	UCTB
VTU	(Fafnir)	SAST
VTWE-100	(Browning)	SAST
VTWE-200	(Browning)	HCST
VTWS-100	(Browning)	SBST
VTWS-200	(Browning)	UCST
W208PP10	(Fafnir)	W208PP10
W208PP5	(Fafnir)	W208PP5
W208PP6	(Fafnir)	W208PP6
W208PP8	(Fafnir)	W208PP8
W208PP9	(Fafnir)	W208PP9
W208PPB13	(Fafnir)	W208PPB13
W208PPB2	(Fafnir)	W208PPB2
W208PPB4	(Fafnir)	W208PPB4
W208PPB5	(Fafnir)	W208PPB5
W208PPB6	(Fafnir)	W208PPB6
W208PPB7	(Fafnir)	W208PPB7
W208PPB8	(Fafnir)	W208PPB8
W208PPB9	(Fafnir)	W208PPB9
W209PPB2	(Fafnir)	W209PPB2
W209PPB4	(Fafnir)	W209PPB4
W209PPB5	(Fafnir)	W209PPB5
W209PPB8	(Fafnir)	W209PPB8
W210PP2	(Fafnir)	W210PP2
W210PP4	(Fafnir)	W210PP4
W210PPB2	(Fafnir)	W210PPB2
W210PPB4	(Fafnir)	W210PPB4
W210PPB5	(Fafnir)	W210PPB5
W210PPB6	(Fafnir)	W210PPB6
W211PP2	(Fafnir)	W211PP2
W211PP3	(Fafnir)	W211PP3
W211PPB2	(Fafnir)	W211PPB2
W211PPB3	(Fafnir)	W211PPB3
XM	(FBC)	6000
XM-PP	(FBC)	6000-ZZ
XX1 Ooz	(Pollard)	6000Z
XX1 OozZ	(Pollard)	6000-ZZ
XX100	(Pollard)	6000
XX100C	(Pollard)	6000N
XX100C(W/C)	(Pollard)	6000NR
XX100P	(Pollard)	6000RS
XX100PP	(Pollard)	6000-2RS
XXLJ	(R&M)	6000
XXLJ-D	(R&M)	6000Z
XXLJ-DD	(R&M)	6000-ZZ
XXLJ-G	(R&M)	6000N
XXLJ-GWC	(R&M)	6000NR
XXLJT	(R&M)	7000
XXLJ-WSR	(R&M)	6000RS
XXLJ-WSRR	(R&M)	6000-2RS
XXLRJ	(R&M)	N1000
YA-RR	(Fafnir)	CSB
YA-RRB	(Fafnir)	SB
YAK	(Fafnir)	UCAK
YAR200	(SKF)	UC
YAT200	(SKF)	SB200G
YAT200CW	(SKF)	CSB200
YAT200W	(SKF)	SB200
YEL200	(SKF)	HC
YET200	(SKF)	SA200G
YET200CW	(SKF)	CSA200
YET200W	(SKF)	SA200
YTU	(Fafnir)	UCST
Z93LOO	(NDH)	6000RS
Z9500	(NDH)	6200RS
Z9504-2RST	(PEER)	Z9504RST
Z9504AB	(BCA, Fafnir, PEER)	Z9504AB
Z9600	(NDH)	6300RS
Z993LOO	(NDH)	6000-2RS
Z99500	(NDH)	6200-2RS
Z99600	(NDH)	6300-2RS